



Chipsmall Limited consists of a professional team with an average of over 10 year of expertise in the distribution of electronic components. Based in Hongkong, we have already established firm and mutual-benefit business relationships with customers from,Europe,America and south Asia,supplying obsolete and hard-to-find components to meet their specific needs.

With the principle of “Quality Parts,Customers Priority,Honest Operation,and Considerate Service”,our business mainly focus on the distribution of electronic components. Line cards we deal with include Microchip,ALPS,ROHM,Xilinx,Pulse,ON,Everlight and Freescale. Main products comprise IC,Modules,Potentiometer,IC Socket,Relay,Connector.Our parts cover such applications as commercial,industrial, and automotives areas.

We are looking forward to setting up business relationship with you and hope to provide you with the best service and solution. Let us make a better world for our industry!



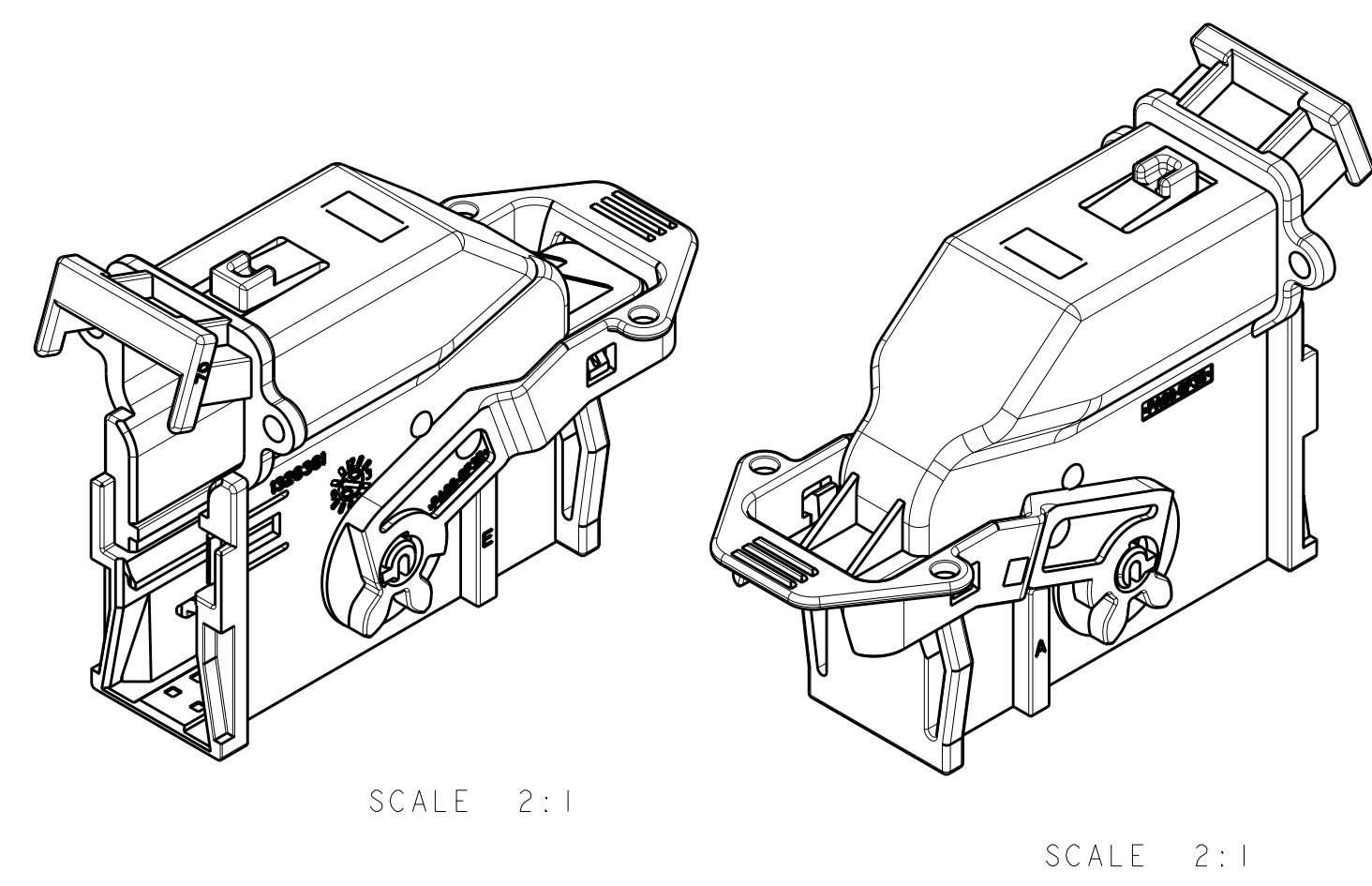
## Contact us

Tel: +86-755-8981 8866 Fax: +86-755-8427 6832

Email & Skype: info@chipsmall.com Web: www.chipsmall.com

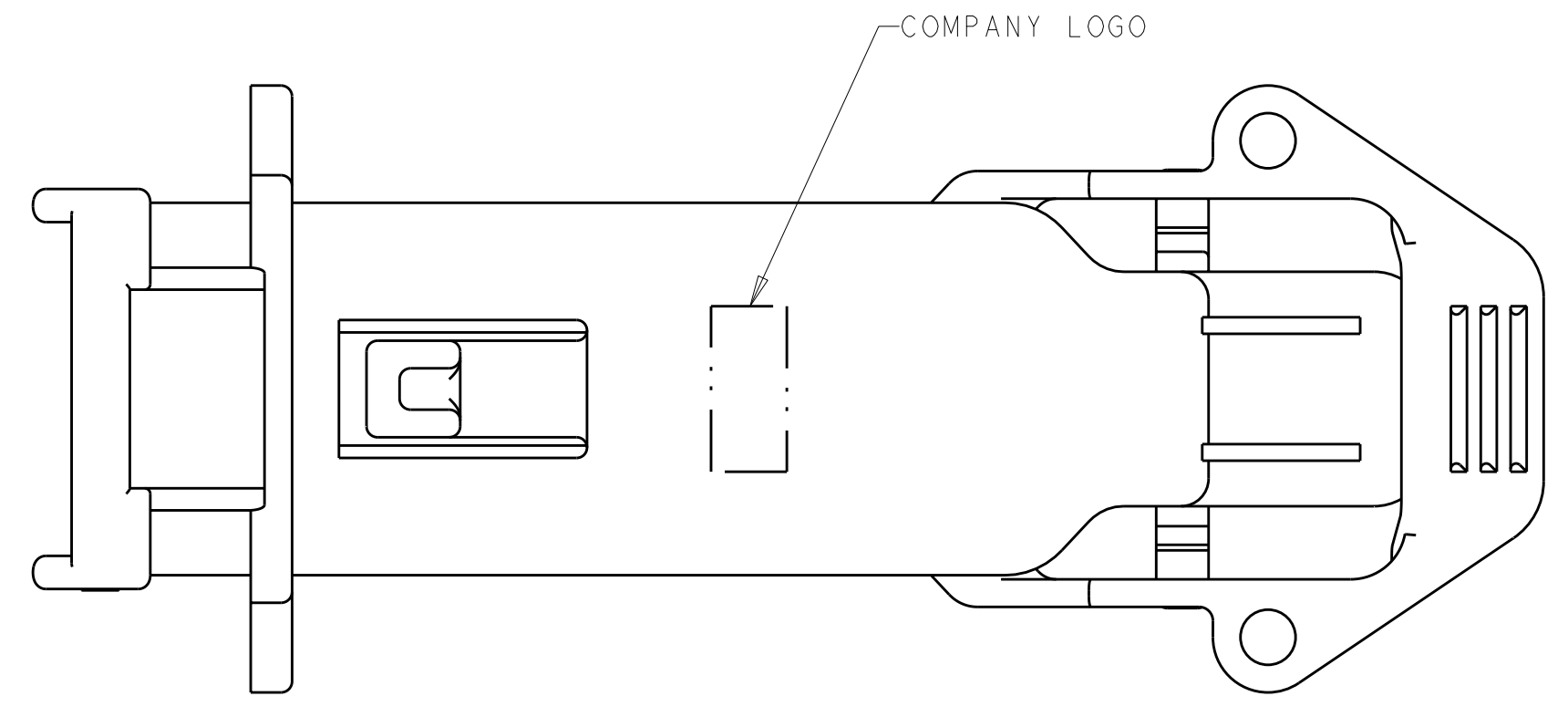
Address: A1208, Overseas Decoration Building, #122 Zhenhua RD., Futian, Shenzhen, China





SCALE 2:1

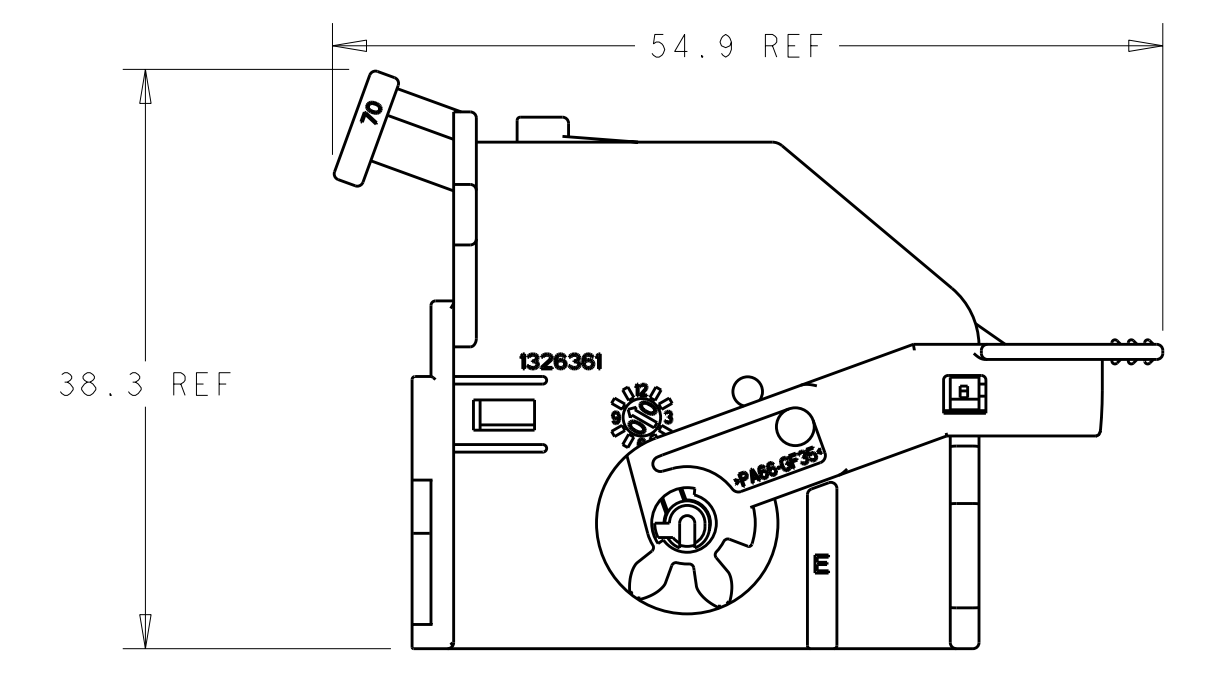
SCALE 2:1



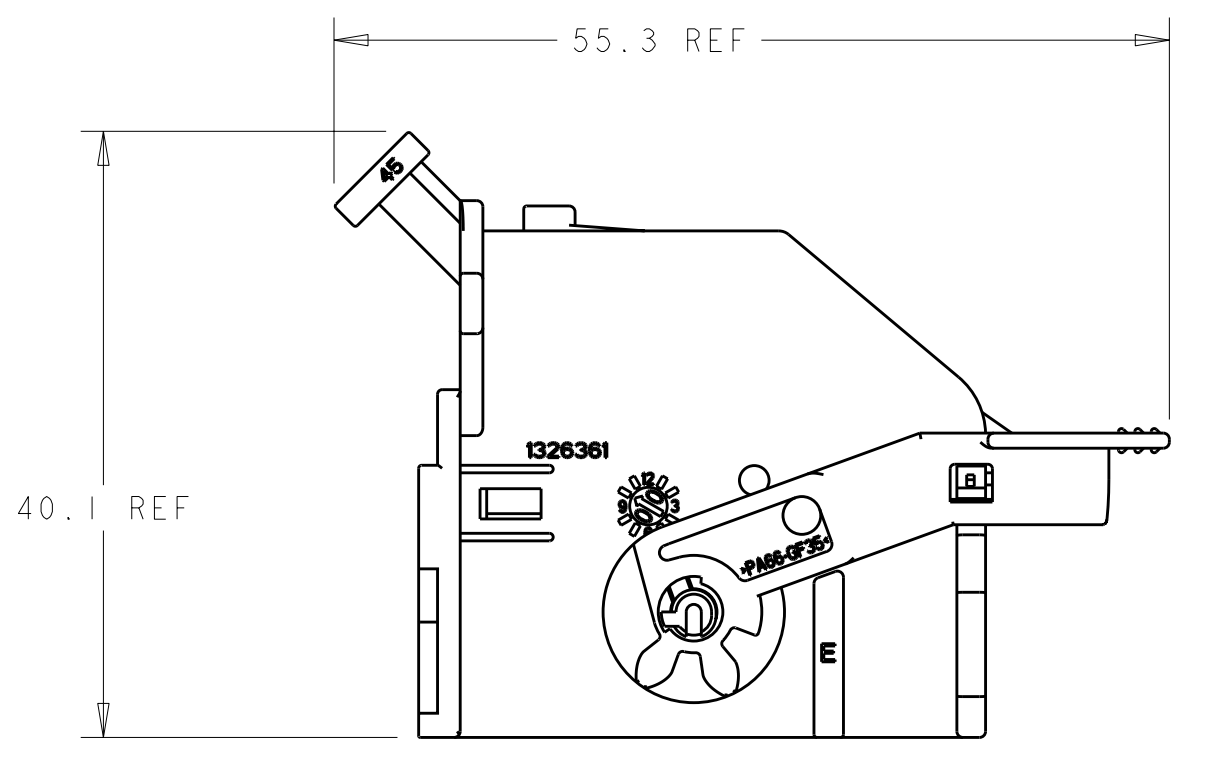
COMPANY LOGO

1. MATERIAL: SHIELD - 35% GLASS REINFORCED NYLON. SEE TABLE BELOW FOR COLOR. LEVER - 35% GLASS REINFORCED NYLON. COLOR GRAY.
2. REFERENCE: RECEPTACLE CARRIER, 1326042-1, USED WITH THIS ASSEMBLY.
3. REFERENCE: INTERFACE DETAIL PER DRAWING NO. AAUTO1000-2962-0247
4. REFER TO INSTRUCTION SHEET 408-8662 FOR PRODUCT ASSEMBLY AND DISASSEMBLY PROCEDURES.
5. REFER TO USCAR-2 REV 3 APRIL 2001 FOR PRODUCT SPECIFICATIONS.

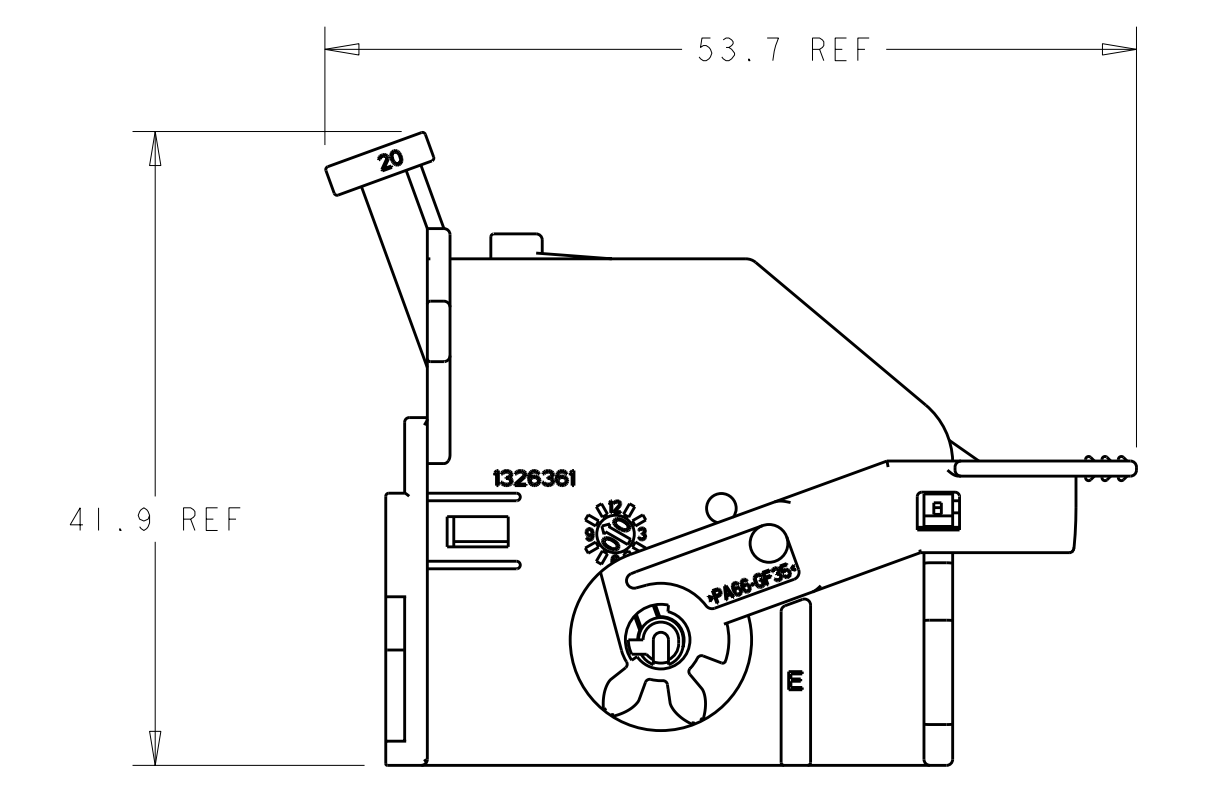
LOC	DIST	REV	DESCRIPTION	DATE	BY	APP'D
FX	00					
		A	REVISED PER EC OK80-0281-02	01MAY2003	SPT	AME
		B	REVISED PER EC OK80-0086-04	30MAR2004	RGV	AME
		C	REVISED PER EC OK80-0196-04	14JUN2004	DLD	AME
		C1	REV PER ECR-10-011823	28MAY2010	VSS	CS



70° WIRE EXIT  
SCALE 2:1



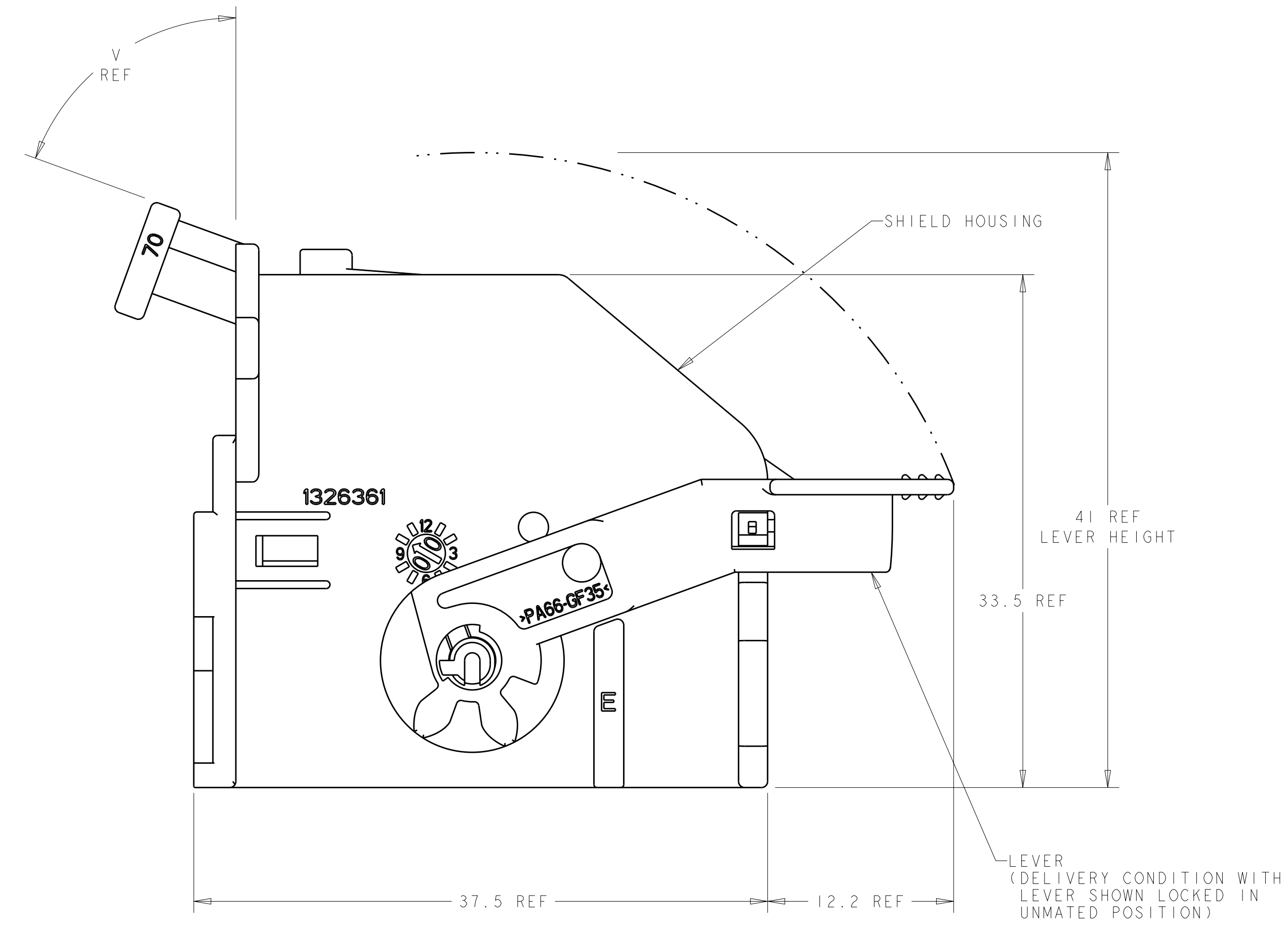
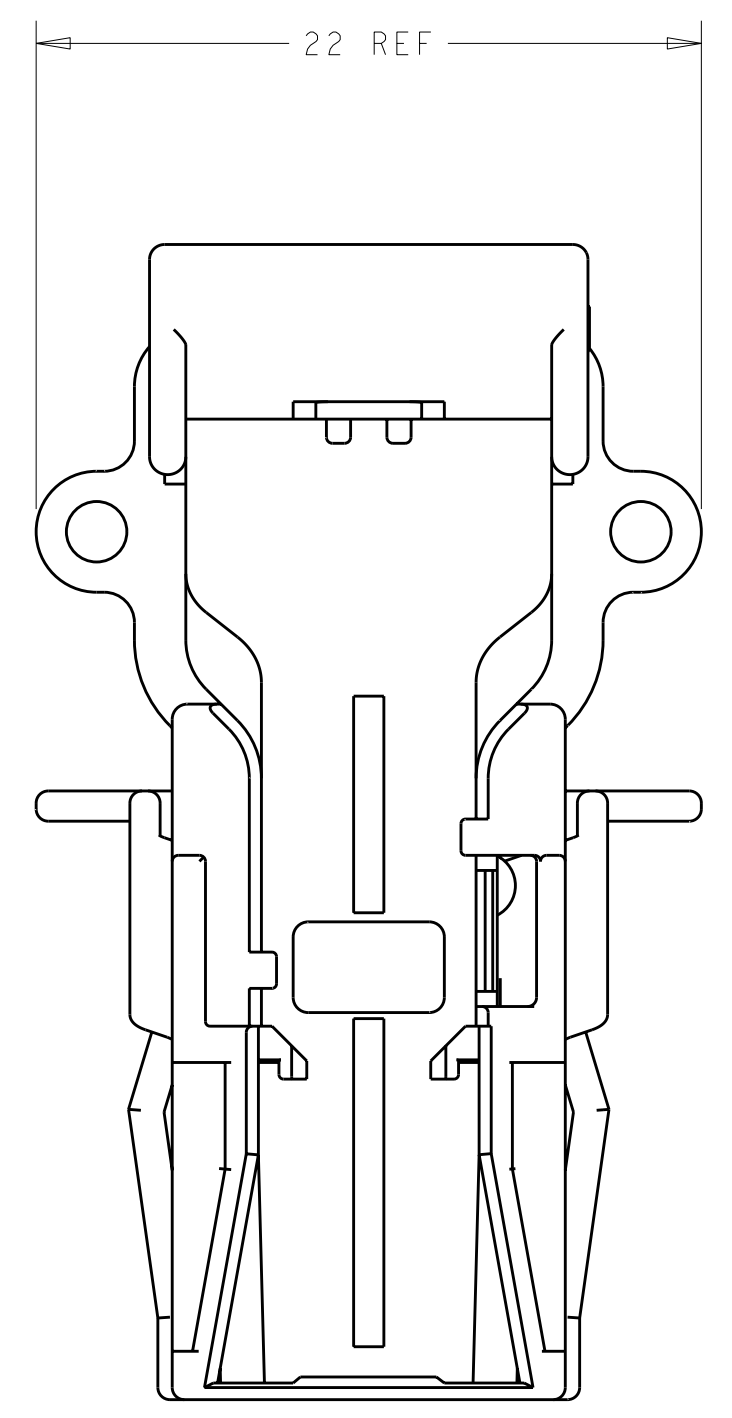
45° WIRE EXIT  
SCALE 2:1



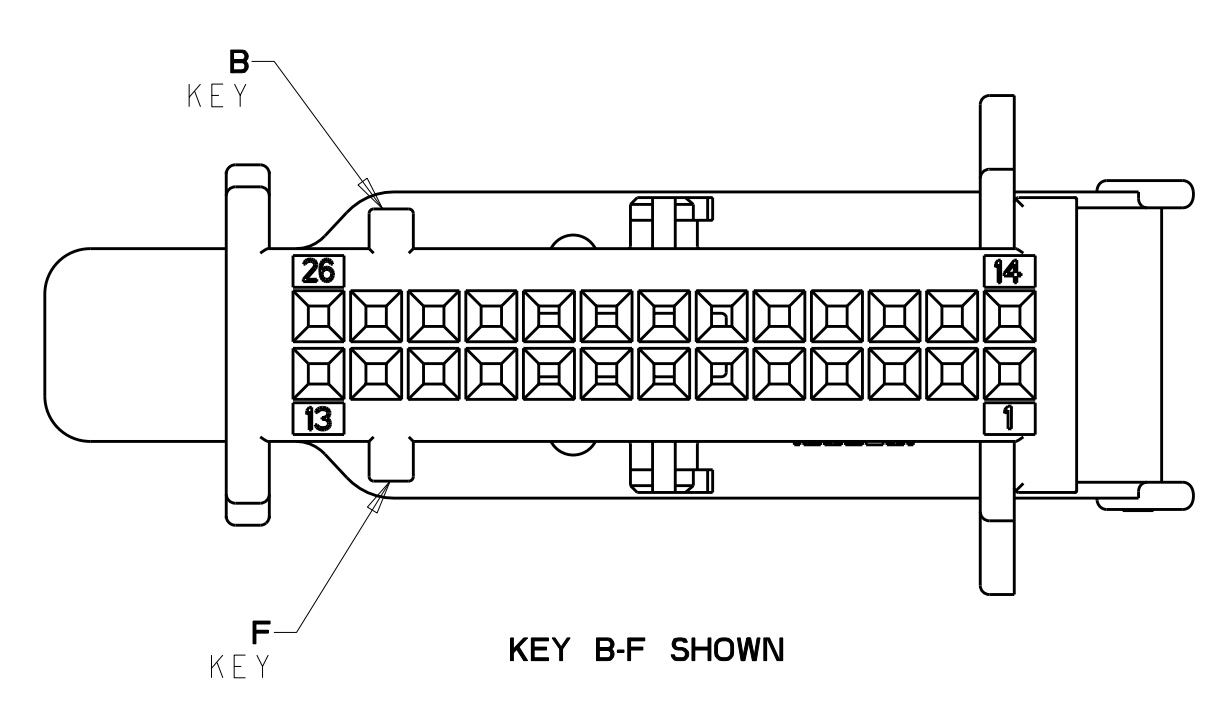
20° WIRE EXIT  
SCALE 2:1

**WIRE EXIT OPTIONS  
FOR REFERENCE ONLY**

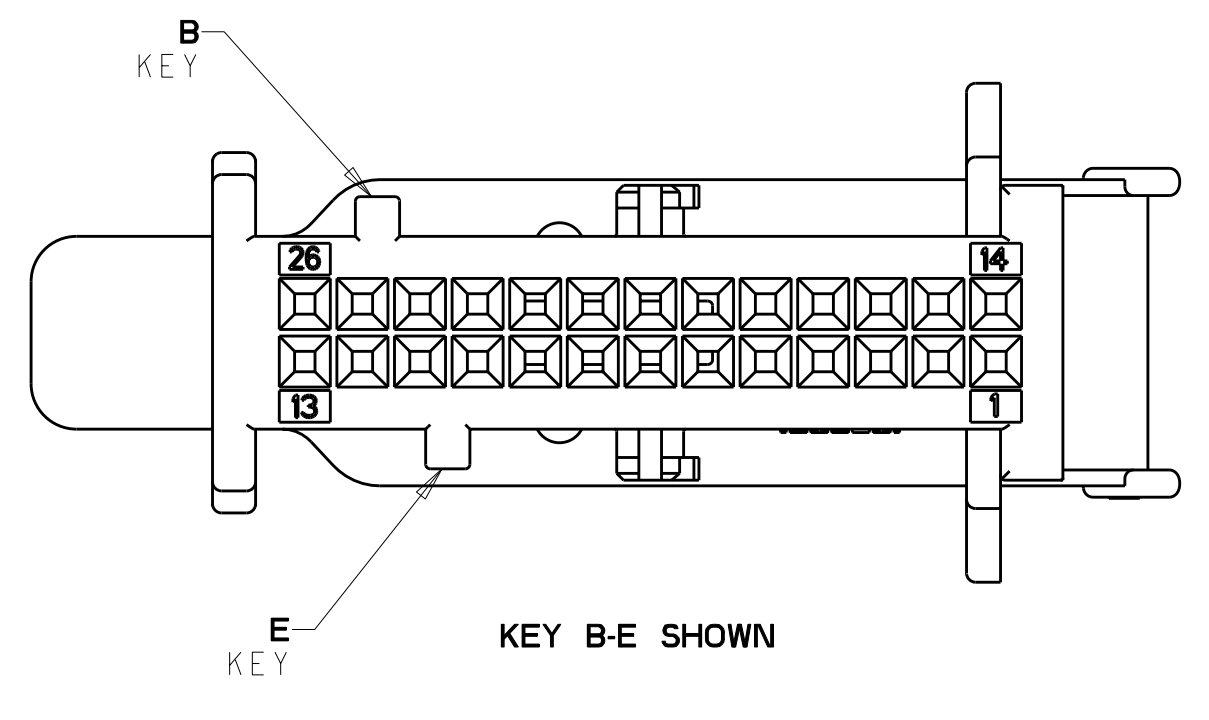
DIM V	COLOR	KEYING OPT.	PART NUMBER
20°	BLUE	B-F	1326362-9
20°	GRAY	B-E	1326362-8
20°	BLACK	A-E	1326362-7
45°	BLUE	B-F	1326362-6
45°	GRAY	B-E	1326362-5
45°	BLACK	A-E	1326362-4
70°	BLUE	B-F	1326362-3
70°	GRAY	B-E	1326362-2
70°	BLACK	A-E	1326362-1



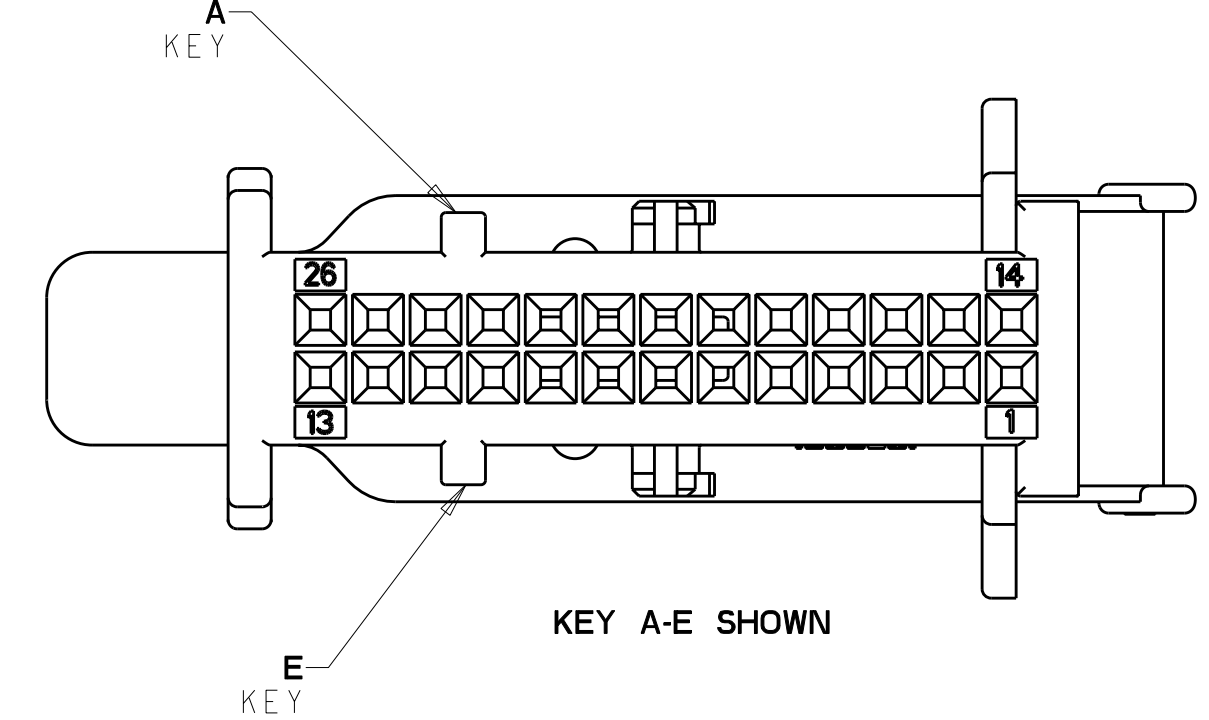
LEVER  
(DELIVERY CONDITION WITH  
LEVER SHOWN LOCKED IN  
UNMATED POSITION)



KEY B-F SHOWN



KEY B-E SHOWN



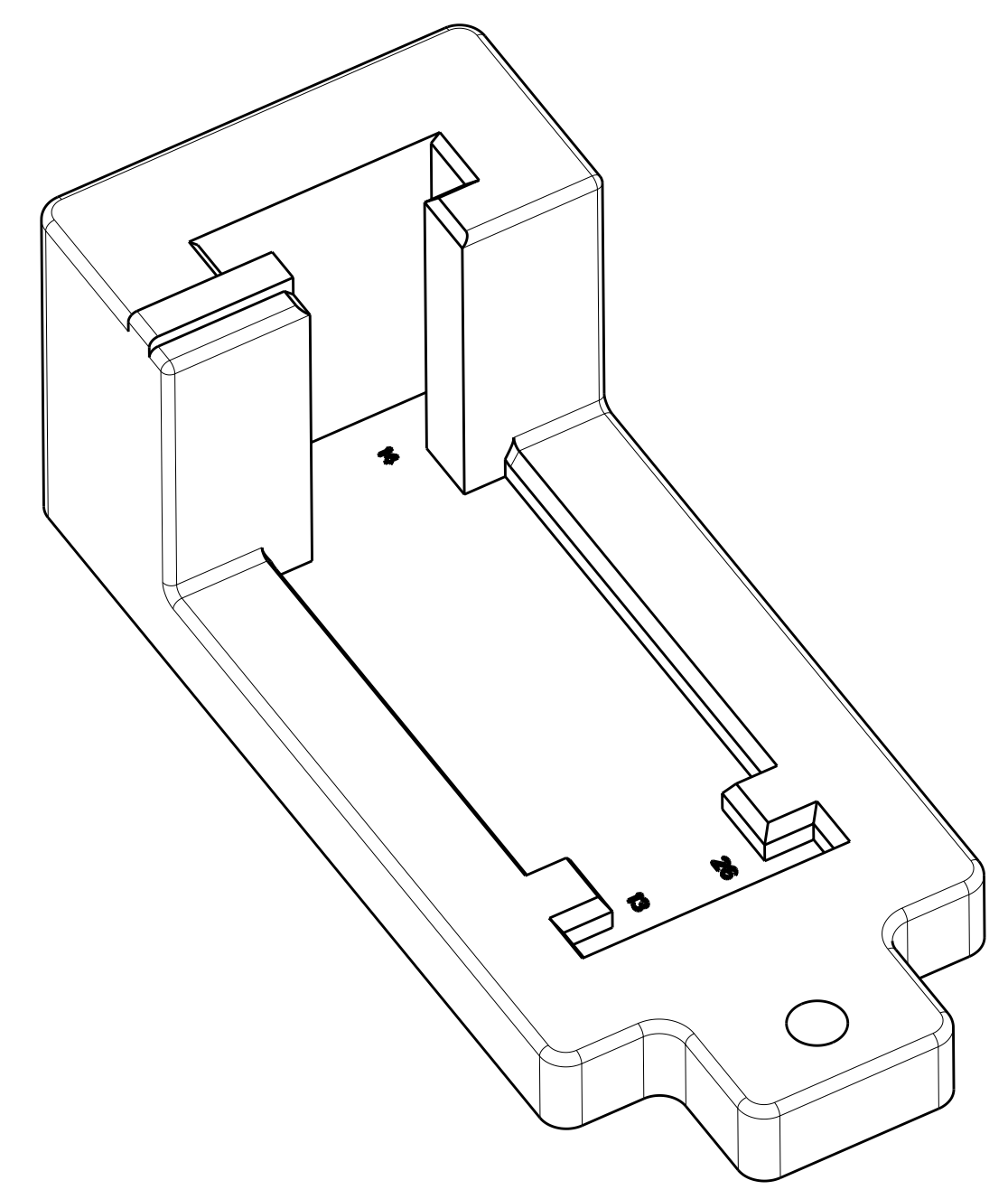
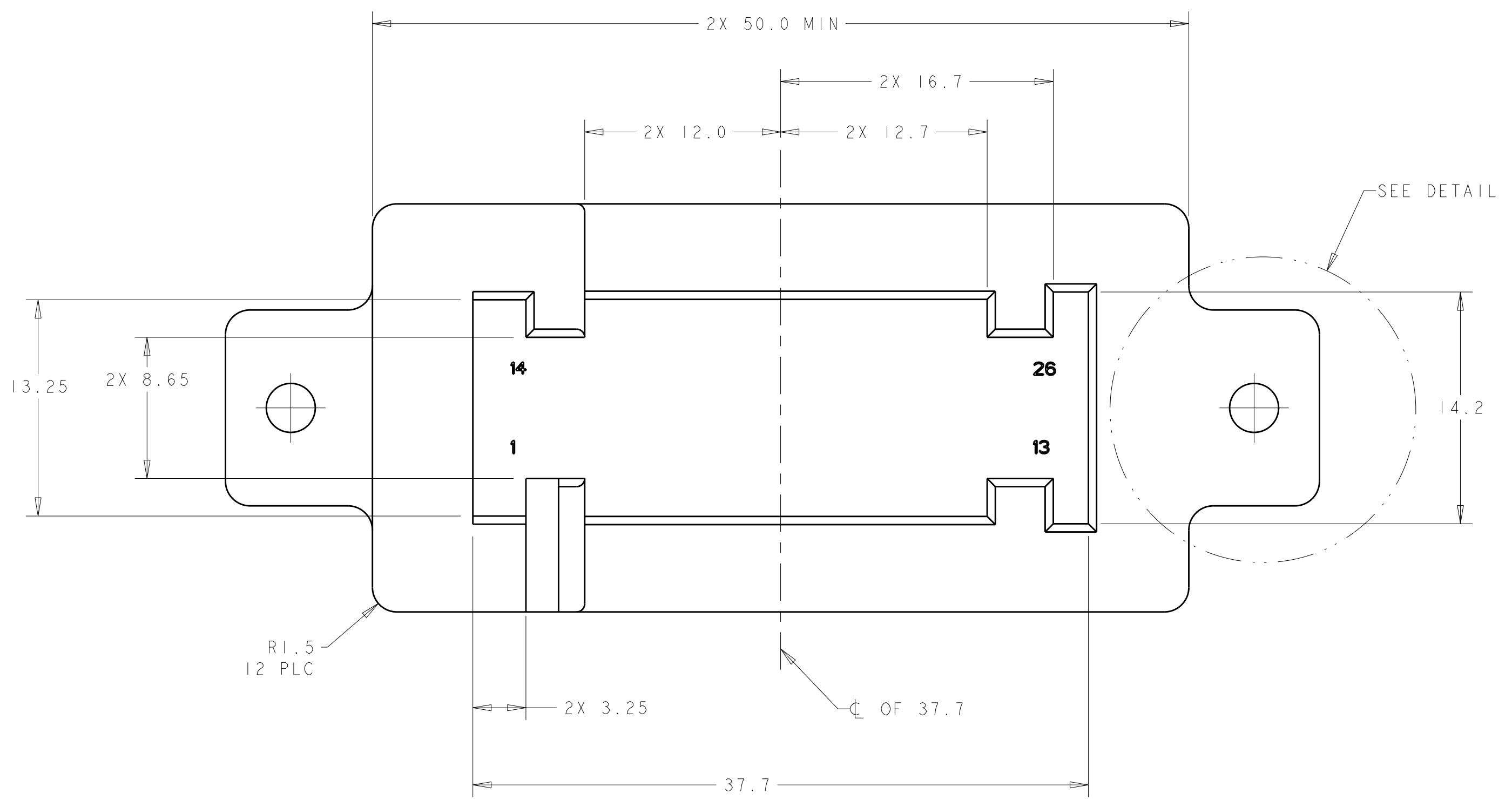
KEY A-E SHOWN

**KEYING OPTIONS  
FOR REFERENCE ONLY**

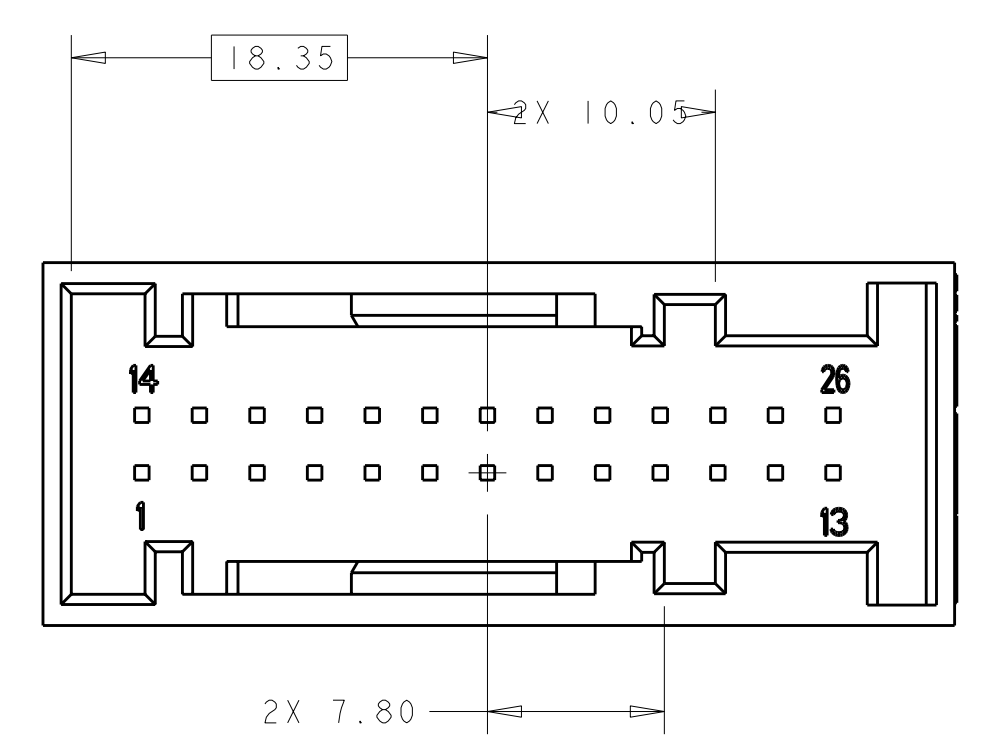
DIMENSIONS: mm 		TOLERANCES UNLESS OTHERWISE SPECIFIED: 9 PLC ± 1 PLC ±0.1 5 PLC ±0.05 4 PLC ± ANGLES ± FINISH ±1*		DWN W. HOELSCHER 22FEB02 CHK S. TOBEY 22FEB02 APVD DS TOBEY 22FEB02 NAME PRODUCT SPEC APPLICATION SPEC WEIGHT CUSTOMER DRAWING		Tyco Electronics Harrisburg, PA 17105-3608 Tyco Electronics SHIELD ASSEMBLY - 0.64mm 26 POSITION, LEVER ASSISTED CONNECTOR SIZE CAGE CODE DRAWING NO. RESTRICTED TO A1 00779 C=1326362 SCALE 4:1 SHEET 1 OF 2 REV C1	
-----------------------	--	---	--	---	--	--	--

LOC	DIST	REV	DATE	BY	APPD
FX	00				

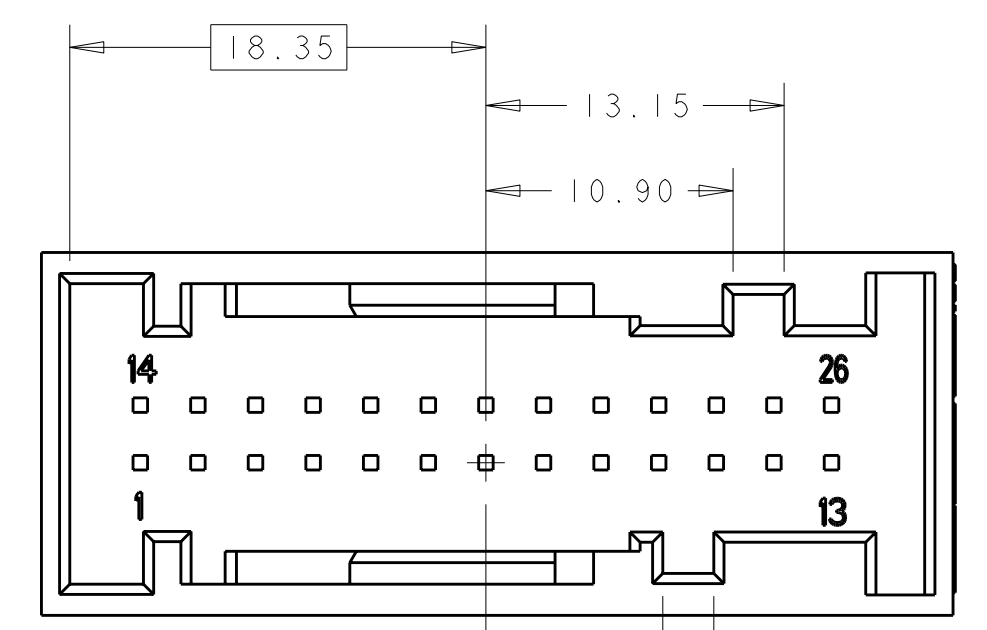
REVISIONS		
NO	DESCRIPTION	DATE
1	SEE SHEET 1	



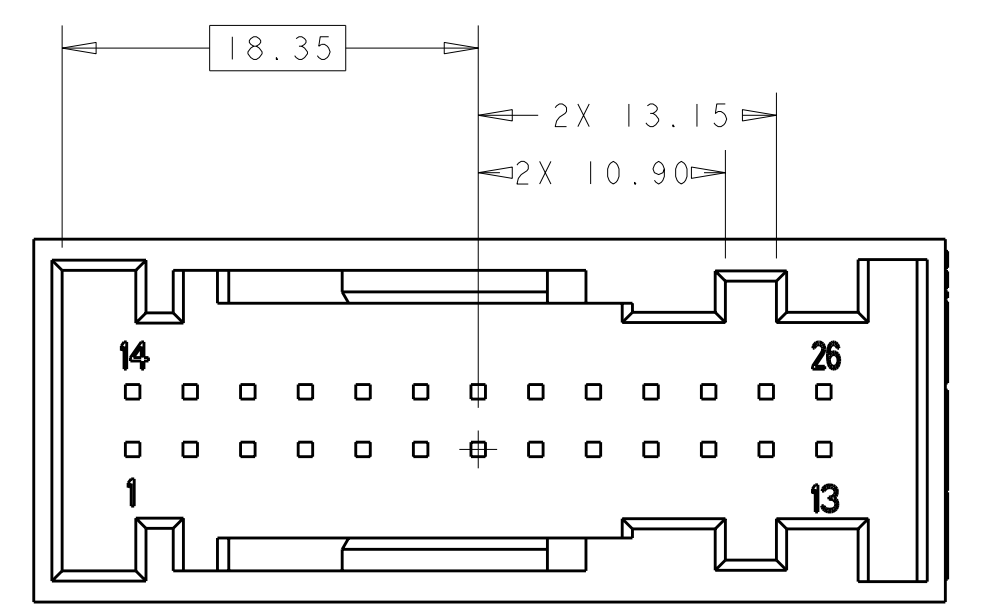
SCALE 3:1



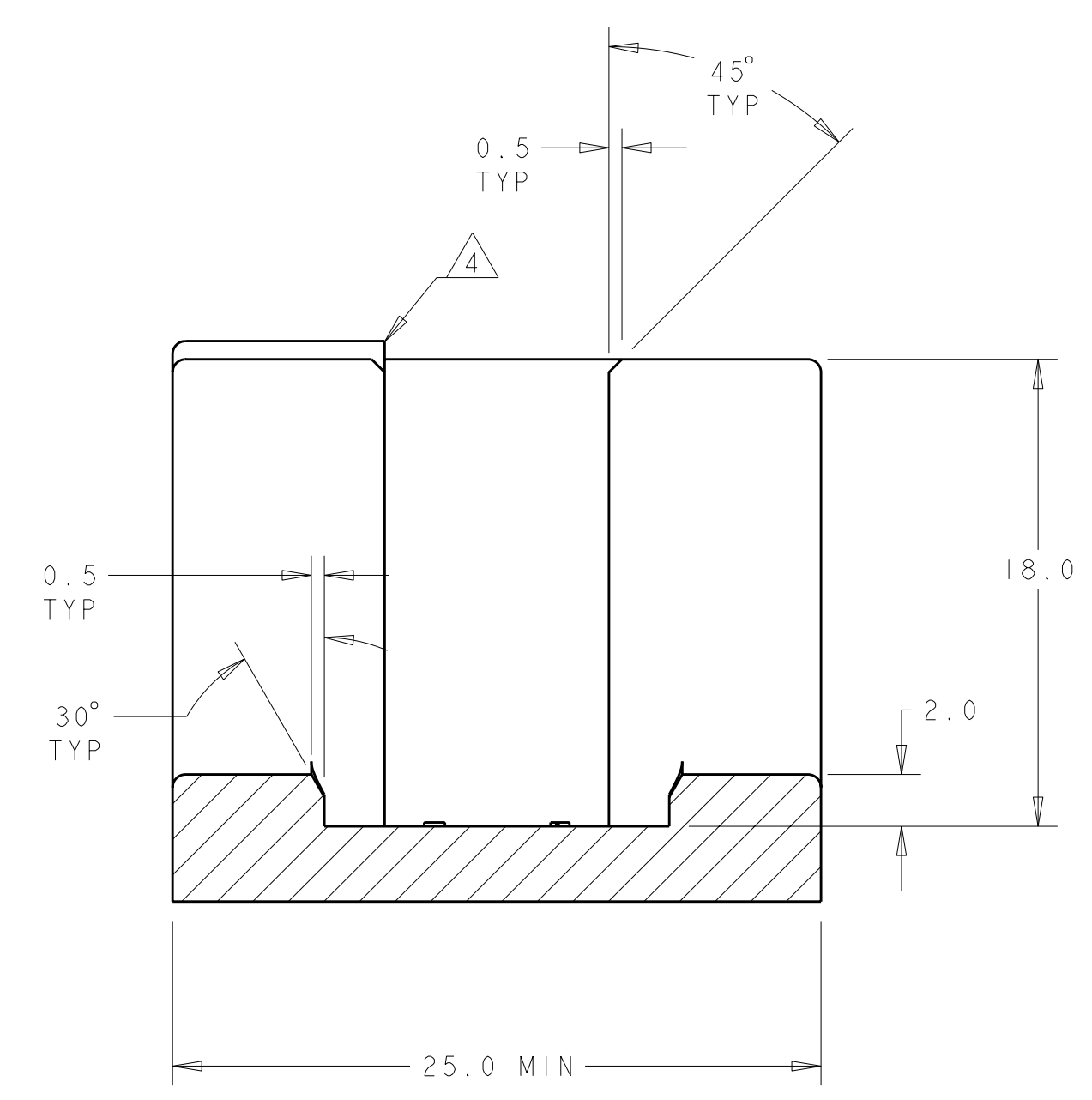
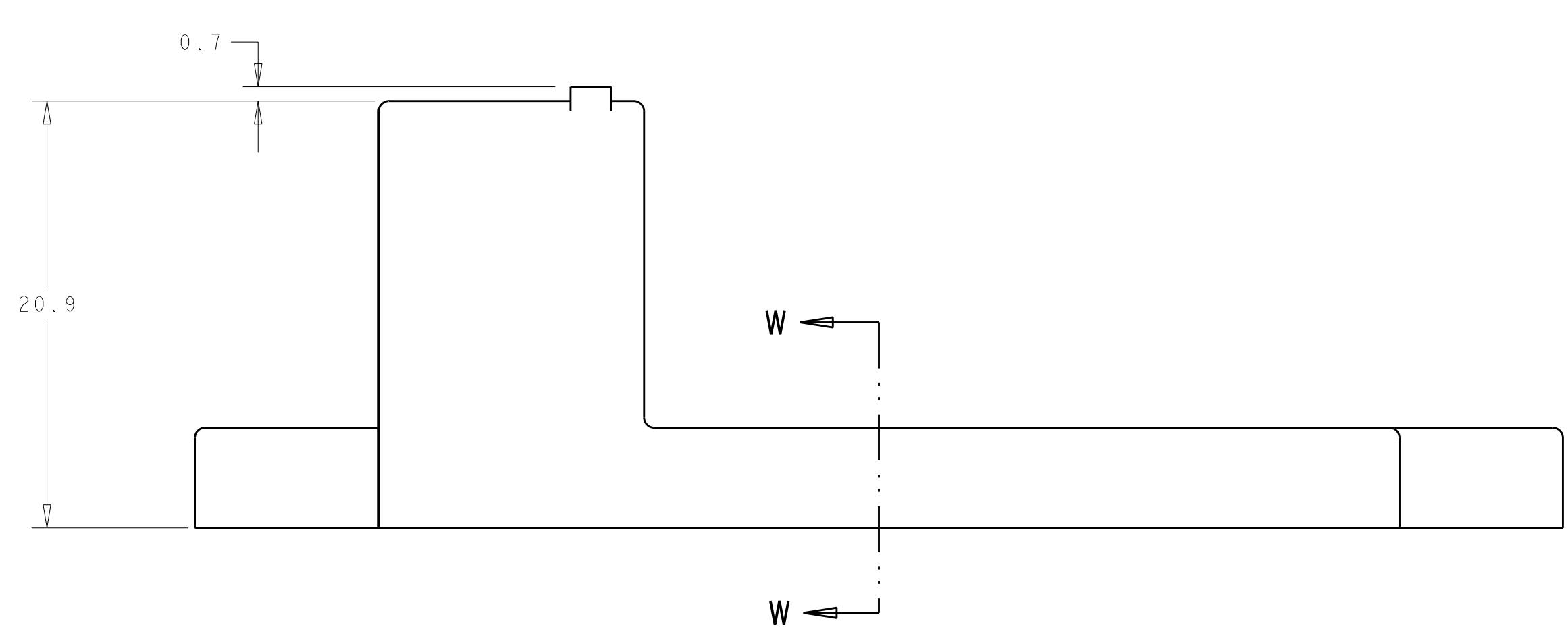
KEY OPTION A-E



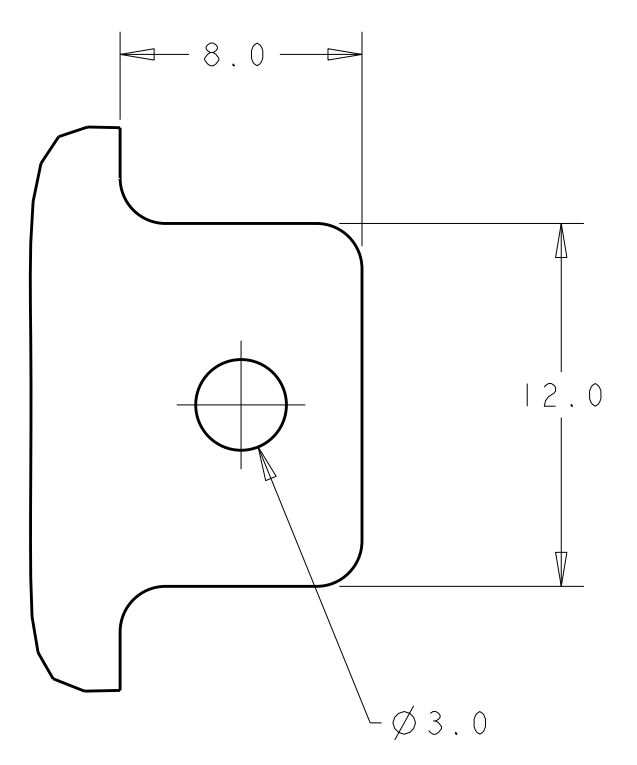
KEY OPTION B-E



KEY OPTION B-F



SECTION W-W



DETAIL X SCALE 4:1

**26 POSITION CONNECTOR FIXTURE**  
 (SHOWN WITH CLEARANCE FOR ALL KEY OPTIONS)

- CONNECTOR FIXTURE SHOULD BE USED TO VERIFY THE RECEPTACLE CARRIER IS PROPERLY SEATED AND LOCKED INTO THE SHIELD ASSEMBLY. THE CONNECTOR WILL NOT FULLY MATE TO THE FIXTURE IF THE RECEPTACLE CARRIER IS OUT OF POSITION.
- RECOMMEND USING A SENSING DEVICE FOR VERIFYING FULLY MATED CONNECTORS. SUCH A DEVICE IS UP TO THE CUSTOMERS DISCRESSION.
- RECOMMENDED MATERIAL: HARDEND STEEL
- NO RADII OR CHAMFER PERMITTED IN SPECIFIED AREA. MUST MAINTAIN 90° EDGE.
- RADII TO BE 0.5 UNLUSS OTHERWISE SPECIFIED.
- OPTIONAL CONSTRAINT FEATURE.

DIMENSIONS: mm 		TOLERANCES UNLESS OTHERWISE SPECIFIED: 0 PLC ± 1 PLC ±0.1 2 PLC ±0.05 3 PLC ± 4 PLC ± ANGLES ± FINISH		DWN W. HOELSCHER 22FEB02 CHK S. TOBEY 22FEB02 APVD DS TOBEY 22FEB02 NAME PRODUCT SPEC APPLICATION SPEC WEIGHT CUSTOMER DRAWING		Tyco Electronics Harrisburg, PA 17105-3608 SHIELD ASSEMBLY - 0.64mm 26 POSITION, LEVER ASSISTED CONNECTOR SIZE CAGE CODE DRAWING NO A11 00779 C=1326362 SCALE 4:1 SHEET 2 OF 2 REV C1	
-----------------------	--	--	--	---	--	--	--