



Chipsmall Limited consists of a professional team with an average of over 10 year of expertise in the distribution of electronic components. Based in Hongkong, we have already established firm and mutual-benefit business relationships with customers from,Europe,America and south Asia,supplying obsolete and hard-to-find components to meet their specific needs.

With the principle of “Quality Parts,Customers Priority,Honest Operation,and Considerate Service”,our business mainly focus on the distribution of electronic components. Line cards we deal with include Microchip,ALPS,ROHM,Xilinx,Pulse,ON,Everlight and Freescale. Main products comprise IC,Modules,Potentiometer,IC Socket,Relay,Connector.Our parts cover such applications as commercial,industrial, and automotives areas.

We are looking forward to setting up business relationship with you and hope to provide you with the best service and solution. Let us make a better world for our industry!



Contact us

Tel: +86-755-8981 8866 Fax: +86-755-8427 6832

Email & Skype: info@chipsmall.com Web: www.chipsmall.com

Address: A1208, Overseas Decoration Building, #122 Zhenhua RD., Futian, Shenzhen, China




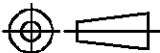

LOC	DIST	REVISIONS					
AJ	—	P	LTR	DESCRIPTION	DATE	DWN	APVD
		0		REDRAWN ON CAD	25JUL02	GM	GM

THIS DRAWING IS UNPUBLISHED.

ALL RIGHTS RESERVED.

© COPYRIGHT - BY TYCO ELECTRONICS CORPORATION.

1404420-1	1329823-1
MATERIAL	PART NUMBER

DIMENSIONS: MM		DWN G. MICHAEL 25JUL2002	MATERIAL	FINISH				
TOLERANCES UNLESS OTHERWISE SPECIFIED:		CHK G. MICHAEL 30JUL02	 Tyco Electronics Corporation Middletown, PA 17057					
0 PLC ± -	1 PLC ± -	APVD G. MICHAEL 30JUL02						
2 PLC ± -	3 PLC ± -	PRODUCT SPEC	NAME N SERIES PLUG					
4 PLC ± -	ANGLES ± -	APPLICATION SPEC	TERMINATOR, 50 OHM, 50 WATT					
		WEIGHT	SIZE	CAGE CODE	DRAWING NO	RESTRICTED TO		
CUSTOMER DRAWING		—	A4	00779	 -1329823	—		
			SCALE	1:1	SHEET	1 OF 1	REV	0