



Chipsmall Limited consists of a professional team with an average of over 10 year of expertise in the distribution of electronic components. Based in Hongkong, we have already established firm and mutual-benefit business relationships with customers from,Europe,America and south Asia,supplying obsolete and hard-to-find components to meet their specific needs.

With the principle of "Quality Parts,Customers Priority,Honest Operation,and Considerate Service",our business mainly focus on the distribution of electronic components. Line cards we deal with include Microchip,ALPS,ROHM,Xilinx,Pulse,ON,Everlight and Freescale. Main products comprise IC,Modules,Potentiometer,IC Socket,Relay,Connector.Our parts cover such applications as commercial,industrial, and automotives areas.

We are looking forward to setting up business relationship with you and hope to provide you with the best service and solution. Let us make a better world for our industry!



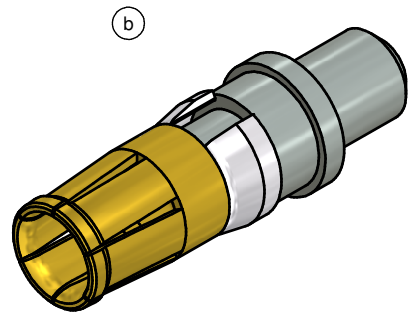
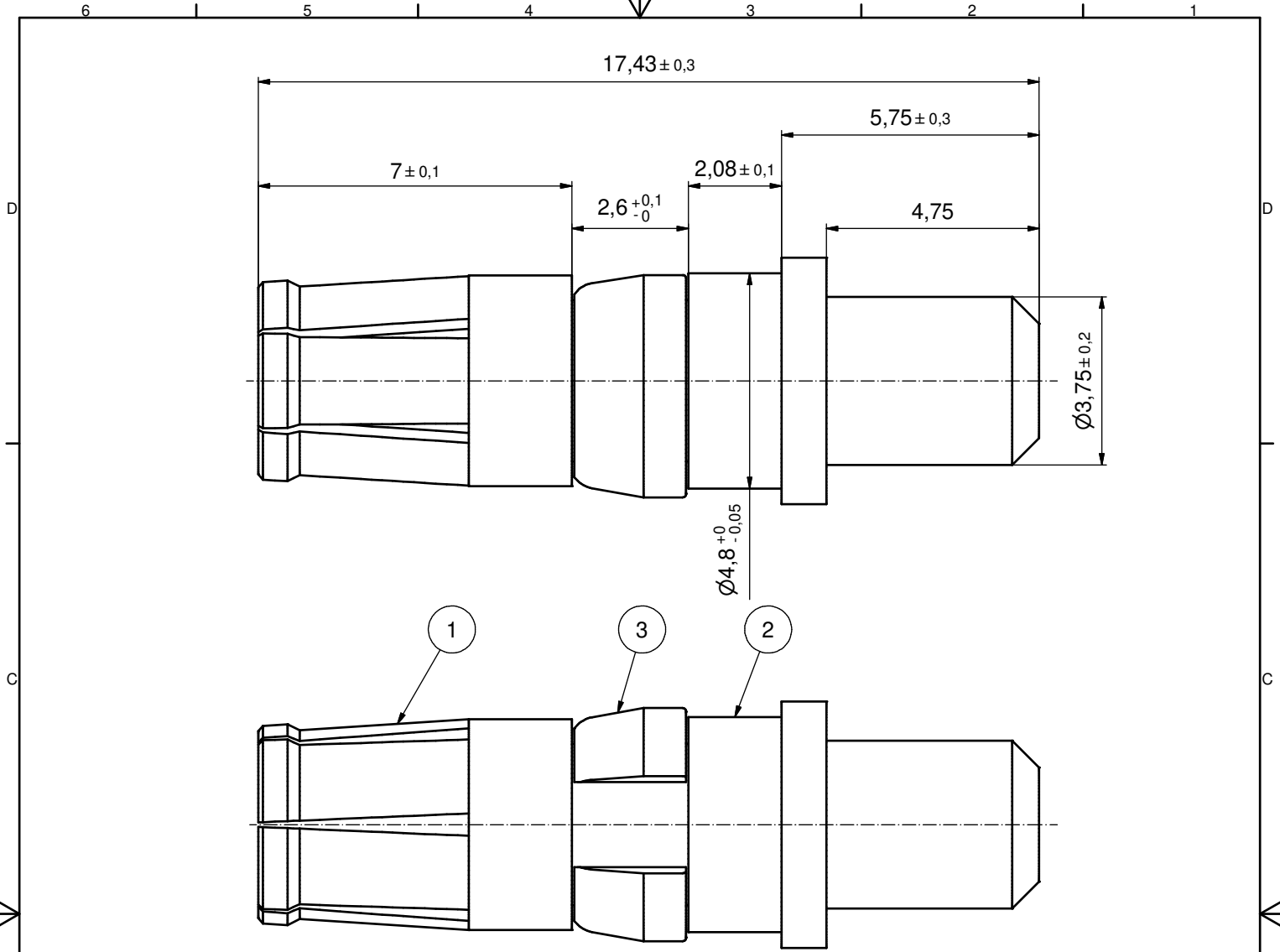
Contact us

Tel: +86-755-8981 8866 Fax: +86-755-8427 6832

Email & Skype: info@chipsmall.com Web: www.chipsmall.com

Address: A1208, Overseas Decoration Building, #122 Zhenhua RD., Futian, Shenzhen, China





plating item 1	part no.
GOLD FLASH over NICKEL	132A12059X
30µm HARD GOLD over min. 50µm NICKEL	132C12059X

3	1	RETAINING RING	COPPER ALLOY	NICKEL PLATED
2	1	REAR SIDE	COPPER ALLOY	TIN PLATED
1	1	MATING SIDE	COPPER ALLOY	SEE TABLE
pos	qty	description	material	plating

partlist		tolerance		dim. in mm		scale: 10:1	
						material: SEE PARTLIST	
		date		name		title:	
		drawn 23.03.1998		Barcinski		HIGH POWER CONTACT FEMALE	
		appd. 23.03.1998		Mickenbecker		SOLDER PIN STRAIGHT / Ø3,75 / 40A	
		norm		d-old		D-SUB COMBINATION	
3 x b		Ä 6216		29.06.2016		Unkrüer	
a		Original				dwg no: 13K11F5A	
rev.		description		date		name	
						part no: SEE TABLE	
						DIN-A3	
						sh: 1	

RoHS compliant

