



Chipsmall Limited consists of a professional team with an average of over 10 year of expertise in the distribution of electronic components. Based in Hongkong, we have already established firm and mutual-benefit business relationships with customers from,Europe,America and south Asia,supplying obsolete and hard-to-find components to meet their specific needs.

With the principle of “Quality Parts,Customers Priority,Honest Operation,and Considerate Service”,our business mainly focus on the distribution of electronic components. Line cards we deal with include Microchip,ALPS,ROHM,Xilinx,Pulse,ON,Everlight and Freescale. Main products comprise IC,Modules,Potentiometer,IC Socket,Relay,Connector.Our parts cover such applications as commercial,industrial, and automotives areas.

We are looking forward to setting up business relationship with you and hope to provide you with the best service and solution. Let us make a better world for our industry!



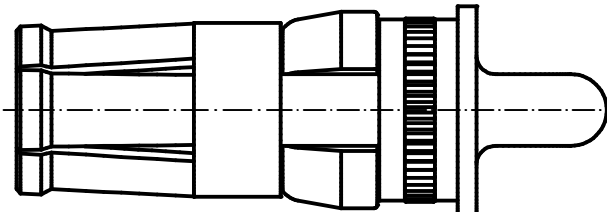
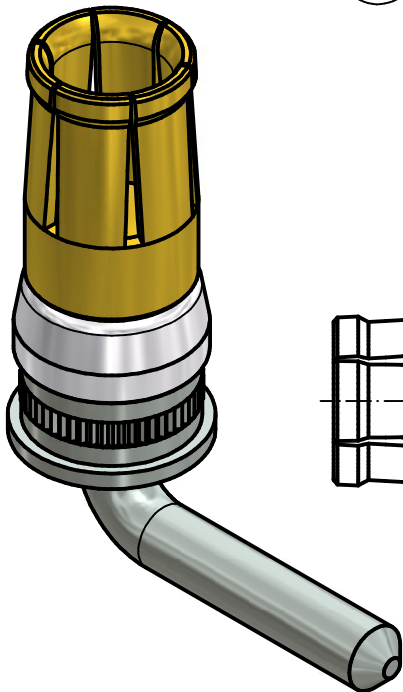
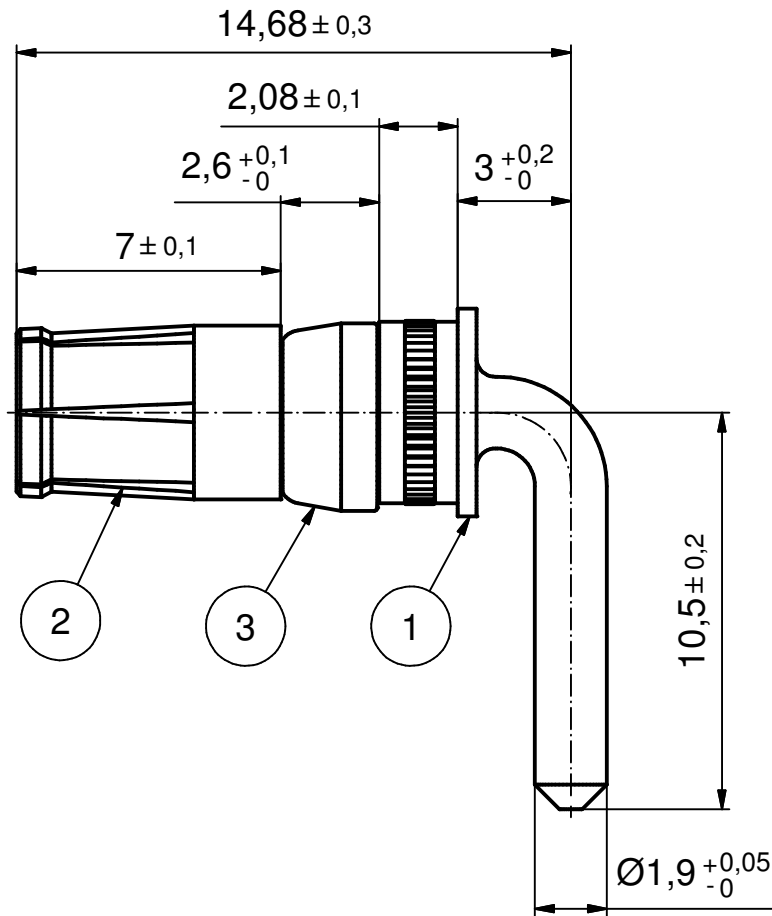
## Contact us

Tel: +86-755-8981 8866 Fax: +86-755-8427 6832

Email & Skype: info@chipsmall.com Web: www.chipsmall.com

Address: A1208, Overseas Decoration Building, #122 Zhenhua RD., Futian, Shenzhen, China





- NOTES:**
- (b) 1. MATERIAL: COPPER ALLOY
  - 2. PLATING:
    - ITEM 1: SEE TABLE
    - ITEM 2: TIN PLATED
    - ITEM 3: NICKEL PLATED

Directive 2002/95/EC RoHS compliant

PLATING ITEM	PART-NO.
(b) GOLD FLASH over NICKEL	132A13009X
min. 30µin HARD GOLD over min. 50µin NICKEL	132C13009X

pos	qty	description	material	plating
3	1	RETAINING RING	COPPER ALLOY	NICKEL PLATED
2	1	MATING SIDE	COPPER ALLOY	see table
1	1	REAR SIDE	COPPER ALLOY	TIN PLATED

Stückliste

THIS DRAWING MAY NOT BE COPIED OR REPRODUCED IN ANY WAY, AND MAY NOT BE PASSED ON TO A THIRD PARTY WITHOUT WRITTEN PERMISSION. OWNERSHIP AND COPYRIGHT OF CONEC GmbH	DO NOT ALTER CAD DRAWING BY HAND				tolerance ISO 2768-m		dim. in mm	scale: 5:1		
					material: SEE NOTES					
					date	name	title: <b>HIGH POWER CONTACT FEMALE</b> SOLDER PIN 90° 15A D-SUB COMBINATION			
					drawn	11.01.13				Lehmenkühler
					appd.	11.01.13				Mickenbecker
					norm					
				d-old			dwg no:			
2 x b	Ä4600	11.01.2013	K.H.				13K1A1165			
a	Origin						DIN-A4			
rev.	description	date	name				sh: 1			
							part no: SEE TABLE			