



Chipsmall Limited consists of a professional team with an average of over 10 year of expertise in the distribution of electronic components. Based in Hongkong, we have already established firm and mutual-benefit business relationships with customers from,Europe,America and south Asia,supplying obsolete and hard-to-find components to meet their specific needs.

With the principle of “Quality Parts,Customers Priority,Honest Operation,and Considerate Service”,our business mainly focus on the distribution of electronic components. Line cards we deal with include Microchip,ALPS,ROHM,Xilinx,Pulse,ON,Everlight and Freescale. Main products comprise IC,Modules,Potentiometer,IC Socket,Relay,Connector.Our parts cover such applications as commercial,industrial, and automotives areas.

We are looking forward to setting up business relationship with you and hope to provide you with the best service and solution. Let us make a better world for our industry!



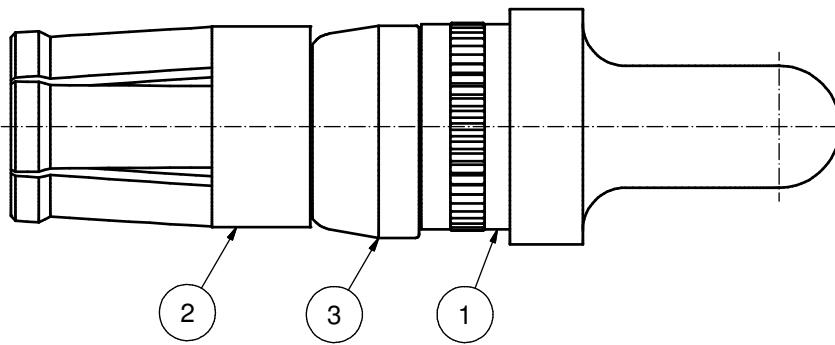
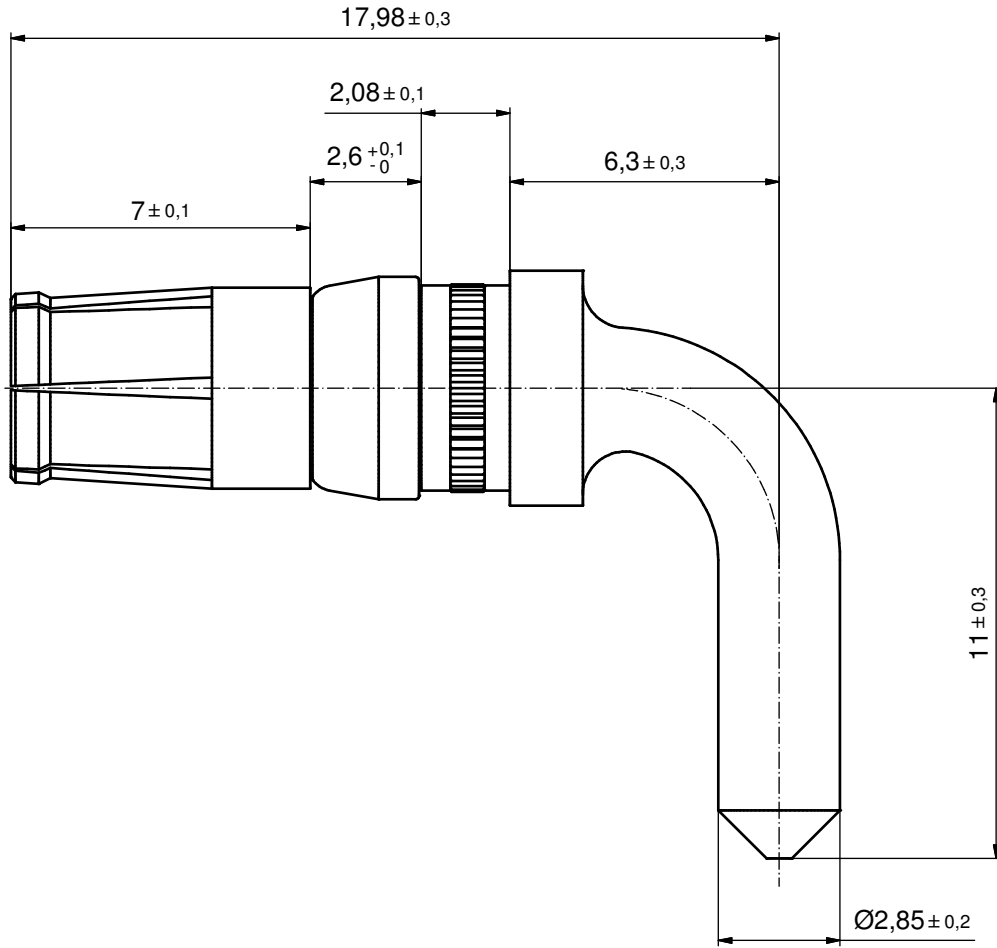
Contact us

Tel: +86-755-8981 8866 Fax: +86-755-8427 6832

Email & Skype: info@chipsmall.com Web: www.chipsmall.com

Address: A1208, Overseas Decoration Building, #122 Zhenhua RD., Futian, Shenzhen, China





Directive 2002/95/EC RoHS compliant

plating pos. 2	part no.
GOLD FLASH over NICKEL	132A13019X
min. 20µin HARD GOLD over min. 50µin NICKEL	132B13019X
min. 30µin HARD GOLD over min. 50µin NICKEL	132C13019X

pos	qty	description	material	plating
3	1	RETAINING RING	COPPER ALLOY	NICKEL PLATED
2	1	MATING SIDE	COPPER ALLOY	SEE TABLE
1	1	REAR SIDE	COPPER ALLOY	TIN PLATED

partlist					tolerance	dim. in mm	scale:
					ISO 2768-m		8:1
					date	name	material:
					drawn 23.03.98	Barcinski	SEE PARTLIST
					appd. 23.03.98	Mickenbecker	title:
					norm		HIGH POWER CONTACT FEMALE
					d-old		SOLDER PIN 90°, d=2.85, 20A
							D-SUB COMBINATION
							dwg no:
							13K11F6A
							DIN-A3
							sh: 1
							part no:
							SEE TABLE

THIS DRAWING MAY NOT BE COPIED OR REPRODUCED IN ANY WAY, AND MAY NOT BE PASSED ON TO A THIRD PARTY WITHOUT WRITTEN PERMISSION. OWNERSHIP AND COPYRIGHT OF CONEC GmbH DO NOT ALTER CAD DRAWING BY HAND

1 x b	Ä4680	06.03.2013	K.H.
a	Original		
rev.	description	date	name

