



Chipsmall Limited consists of a professional team with an average of over 10 year of expertise in the distribution of electronic components. Based in Hongkong, we have already established firm and mutual-benefit business relationships with customers from,Europe,America and south Asia,supplying obsolete and hard-to-find components to meet their specific needs.

With the principle of “Quality Parts,Customers Priority,Honest Operation,and Considerate Service”,our business mainly focus on the distribution of electronic components. Line cards we deal with include Microchip,ALPS,ROHM,Xilinx,Pulse,ON,Everlight and Freescale. Main products comprise IC,Modules,Potentiometer,IC Socket,Relay,Connector.Our parts cover such applications as commercial,industrial, and automotives areas.

We are looking forward to setting up business relationship with you and hope to provide you with the best service and solution. Let us make a better world for our industry!



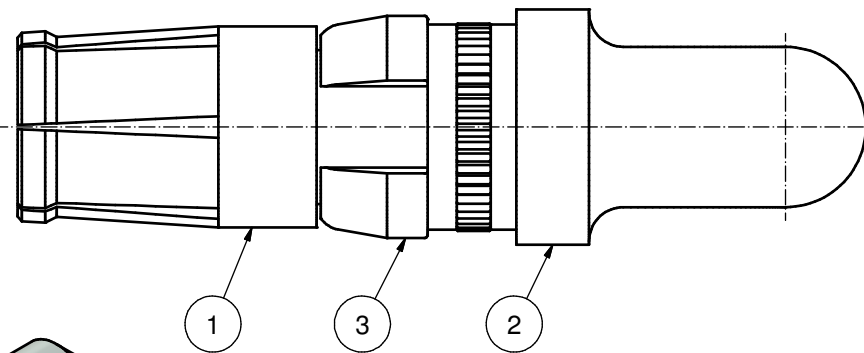
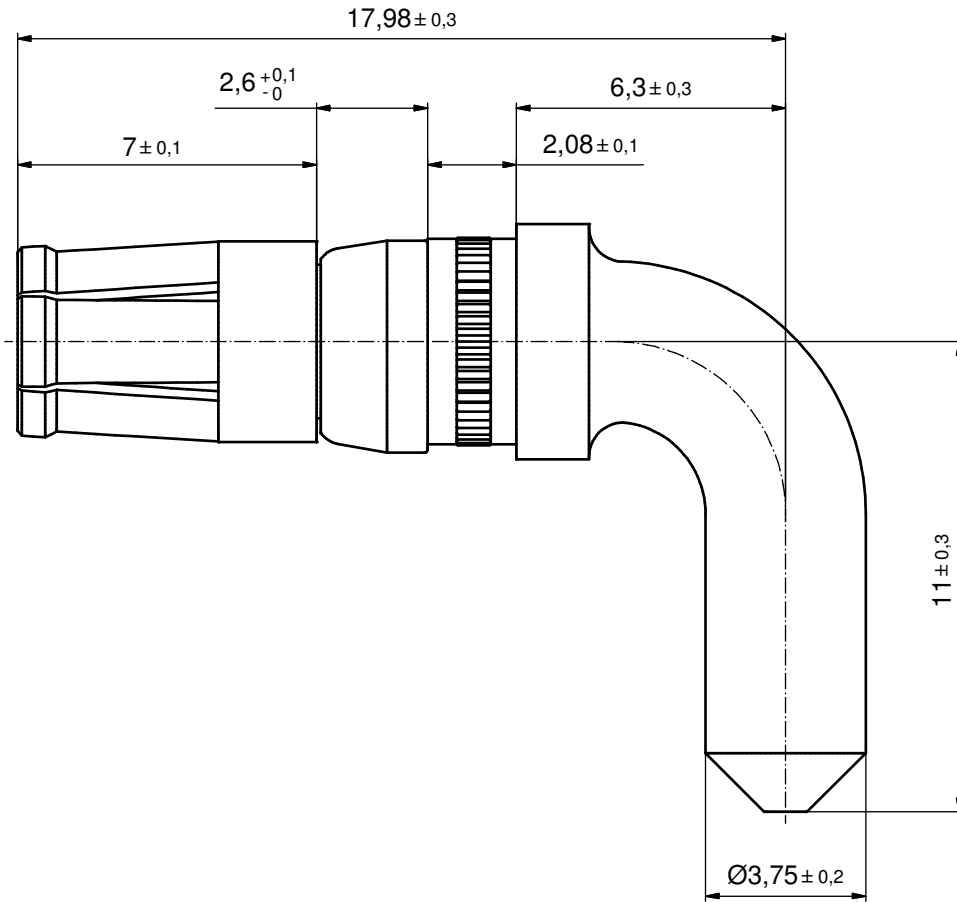
## Contact us

Tel: +86-755-8981 8866 Fax: +86-755-8427 6832

Email & Skype: info@chipsmall.com Web: www.chipsmall.com

Address: A1208, Overseas Decoration Building, #122 Zhenhua RD., Futian, Shenzhen, China





Directive 2002/95/EC RoHS compliant

plating pos. 2	part no.
GOLD FLASH over NICKEL	<b>132A13039X</b>
min. 20µin HARD GOLD over min. 50µin NICKEL	<b>132B13039X</b>
min. 30µin HARD GOLD over min. 50µin NICKEL	<b>132C13039X</b>

3	1	RETAINING RING	COPPER ALLOY	NICKEL PLATED
1	1	MATING SIDE	COPPER ALLOY	SEE PARTLIST
2	1	REAR SIDE	COPPER ALLOY	TIN PLATED
pos	qty	description	material	plating

THIS DRAWING MAY NOT BE COPIED OR REPRODUCED IN ANY WAY, AND MAY NOT BE PASSED ON TO A THIRD PARTY WITHOUT WRITTEN PERMISSION. OWNERSHIP AND COPYRIGHT OF CONEC GmbH DO NOT ALTER CAD DRAWING BY HAND		tolerance	ISO 2768-m	dim. in mm	scale:	8:1
		date	23.03.98	name	material:	SEE PARTLIST
		drawn	23.03.98	name	title:	<b>HIGH POWER CONTACT FEMALE</b>
		appd.	23.03.98	name	SOLDER PIN 90°, d=3.75, 40A	D-SUB COMBINATION
1 x b	A4680	06.03.2013	K.H.	norm	dwg no:	DIN-A3
a	Original			d-old	<b>13K11F8A</b>	sh: 1
rev.	description	date	name	<b>CONEC</b>	part no:	SEE TABLE