



Chipsmall Limited consists of a professional team with an average of over 10 year of expertise in the distribution of electronic components. Based in Hongkong, we have already established firm and mutual-benefit business relationships with customers from,Europe,America and south Asia,supplying obsolete and hard-to-find components to meet their specific needs.

With the principle of “Quality Parts,Customers Priority,Honest Operation,and Considerate Service”,our business mainly focus on the distribution of electronic components. Line cards we deal with include Microchip,ALPS,ROHM,Xilinx,Pulse,ON,Everlight and Freescale. Main products comprise IC,Modules,Potentiometer,IC Socket,Relay,Connector.Our parts cover such applications as commercial,industrial, and automotives areas.

We are looking forward to setting up business relationship with you and hope to provide you with the best service and solution. Let us make a better world for our industry!



Contact us

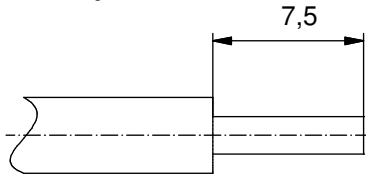
Tel: +86-755-8981 8866 Fax: +86-755-8427 6832

Email & Skype: info@chipsmall.com Web: www.chipsmall.com

Address: A1208, Overseas Decoration Building, #122 Zhenhua RD., Futian, Shenzhen, China



Stripping Dimensions/
Kabelvorbereitung:



Materials/

Werkstoffe:

Cu alloy, Au over Ni

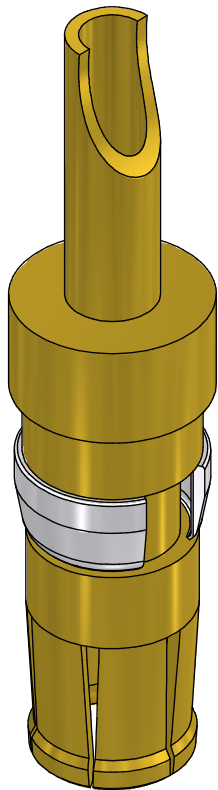
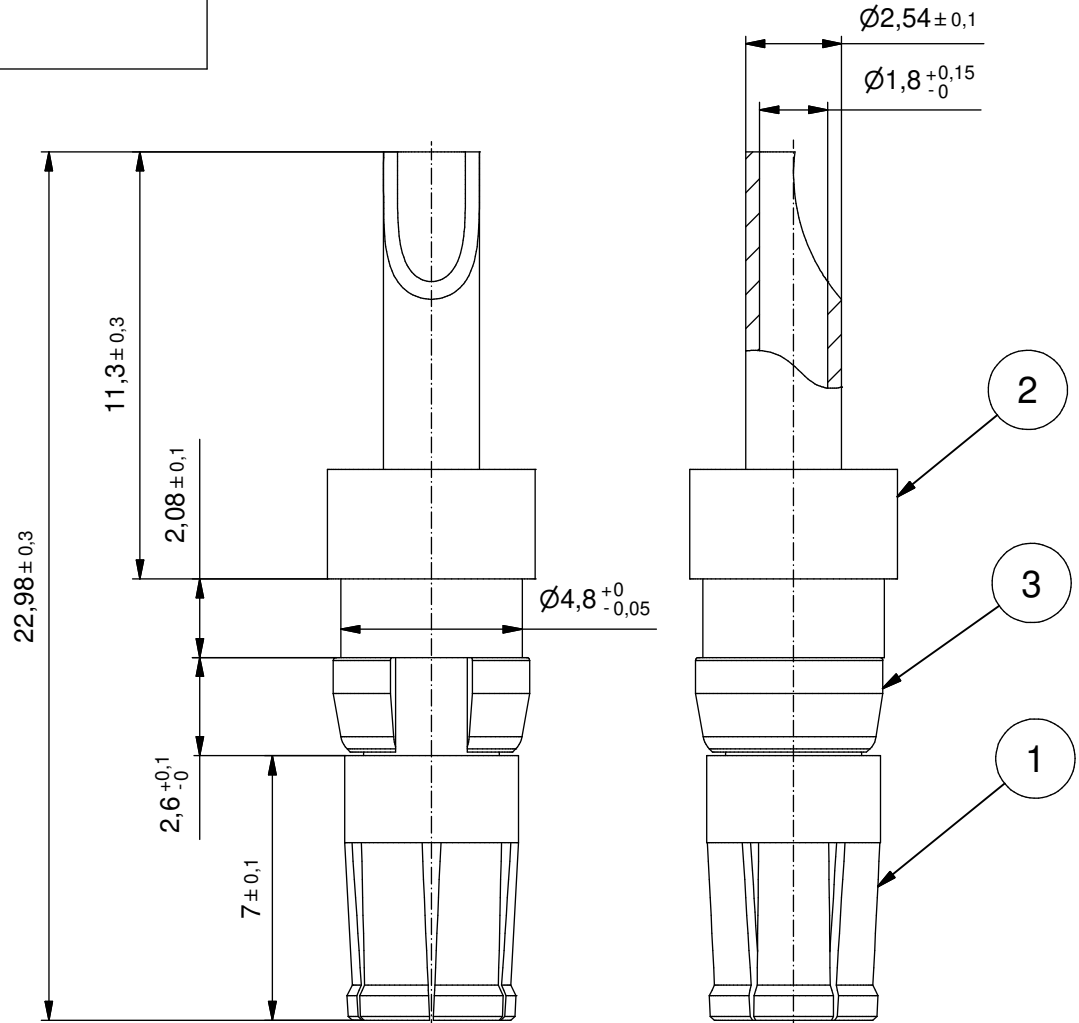
Contact/

Kontakt:

Retaining ring/

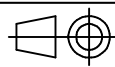
Cu alloy, Ni

Haltering:



(b)

Part no. / Art.-Nr.:	Plating Pos. 1/ Veredelung Pos. 1:	Plating Pos. 2/ Veredelung Pos. 2:	Plating Pos. 3/ Veredelung Pos. 3:
132A10019X	Gold Flash over Nickel Gold über Nickel	Gold over Nickel Gold über Nickel	Nickel plated/ vernickelt
132C10019X	min. 30 µm hard Gold over min. 50 µm Nickel min. 30 µm Gold über min. 50 µm Nickel	Gold over Nickel Gold über Nickel	Nickel plated/ vernickelt
132J10019X	min. 50 µm hard Gold over min. 50 µm Nickel min. 50 µm Gold über min. 50 µm Nickel	Gold over Nickel Gold über Nickel	Nickel plated/ vernickelt



dim. in mm

High power contact female
Solder cup 10 A for AWG 16-20

Hochstromkontakt Buchse
Lötkehl 10 A für AWG 16-20

general tolerance/
Allgemeintoleranz:

ISO 2768-m

	Date/Datum	Name
drawn/ gez.	25.10.2016	Unkrüer
appd./ gepr.	25.10.2016	Lehmenkühler

Index: b Ä6392 25.10.16 L.U.

scale/Maßstab:

5:1

Status: InBearbeitung

RoHS & REACH compliant/konform

CONEC®

dwg no /
Z.-nr.:

13K1A5307

DIN-
A4

1 / 1