



Chipsmall Limited consists of a professional team with an average of over 10 year of expertise in the distribution of electronic components. Based in Hongkong, we have already established firm and mutual-benefit business relationships with customers from,Europe,America and south Asia,supplying obsolete and hard-to-find components to meet their specific needs.

With the principle of "Quality Parts,Customers Priority,Honest Operation,and Considerate Service",our business mainly focus on the distribution of electronic components. Line cards we deal with include Microchip,ALPS,ROHM,Xilinx,Pulse,ON,Everlight and Freescale. Main products comprise IC,Modules,Potentiometer,IC Socket,Relay,Connector.Our parts cover such applications as commercial,industrial, and automotives areas.

We are looking forward to setting up business relationship with you and hope to provide you with the best service and solution. Let us make a better world for our industry!



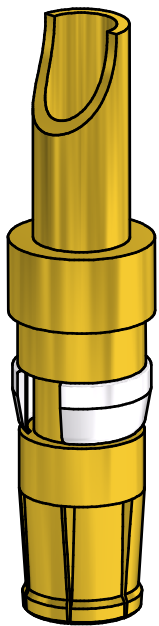
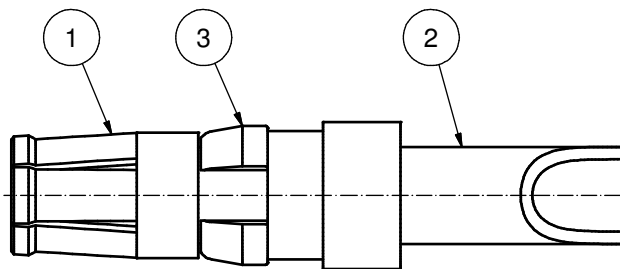
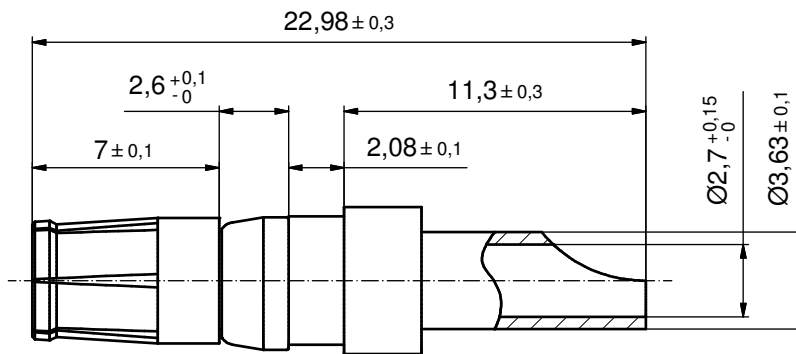
Contact us

Tel: +86-755-8981 8866 Fax: +86-755-8427 6832

Email & Skype: info@chipsmall.com Web: www.chipsmall.com

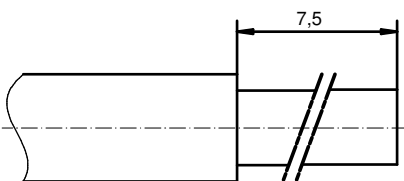
Address: A1208, Overseas Decoration Building, #122 Zhenhua RD., Futian, Shenzhen, China





	plating	part no.
b	GOLD FLASH over NICKEL	132A10029X
	30µin HARD GOLD over min. 50µin NICKEL	132C10029X
	50µin HARD GOLD over min. 50µin NICKEL	132J10029X

STRIPPING DIMENSION



Directive 2002/95/EC RoHS compliant

pos	qty	description	material	plating
3	1	RETAINING RING	COPPER ALLOY	NICKEL PLATED
2	1	REAR SIDE	COPPER ALLOY	GOLD FLASH over NICKEL
1	1	FRONT SIDE	COPPER ALLOY	SEE TABLE

partlist				
THIS DRAWING MAY NOT BE COPIED OR REPRODUCED IN ANY WAY, AND MAY NOT BE PASSED ON TO A THIRD PARTY WITHOUT WRITTEN PERMISSION. OWNERSHIP AND COPYRIGHT OF CONEC GmbH DO NOT ALTER CAD DRAWING BY HAND	tolerance	ISO 2768-m	dim. in mm	scale: 5:1
	material:	see partlist		
	drawn	23.03.98	Barcinski	title: HIGH POWER CONTACT FEMALE SOLDER CUP 20A D-SUB COMBINATION
	appd.	23.03.98	Mickenbecker	
	norm			
	d-old			dwg no:
1 x b	Ä4820	02.07.2013	K.H.	sh: 1
a	Original			
rev.	description	date	name	part no: see table

