



Chipsmall Limited consists of a professional team with an average of over 10 year of expertise in the distribution of electronic components. Based in Hongkong, we have already established firm and mutual-benefit business relationships with customers from,Europe,America and south Asia,supplying obsolete and hard-to-find components to meet their specific needs.

With the principle of “Quality Parts,Customers Priority,Honest Operation,and Considerate Service”,our business mainly focus on the distribution of electronic components. Line cards we deal with include Microchip,ALPS,ROHM,Xilinx,Pulse,ON,Everlight and Freescale. Main products comprise IC,Modules,Potentiometer,IC Socket,Relay,Connector.Our parts cover such applications as commercial,industrial, and automotives areas.

We are looking forward to setting up business relationship with you and hope to provide you with the best service and solution. Let us make a better world for our industry!



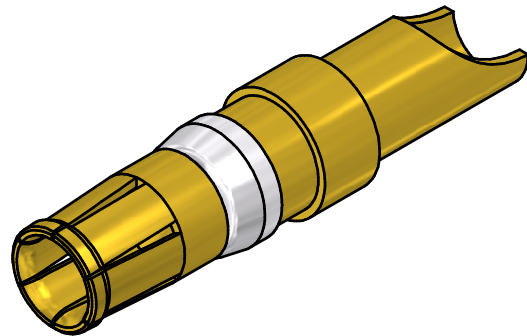
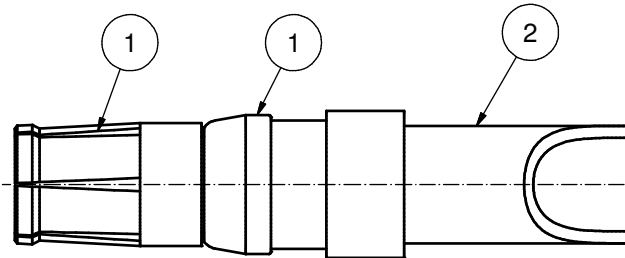
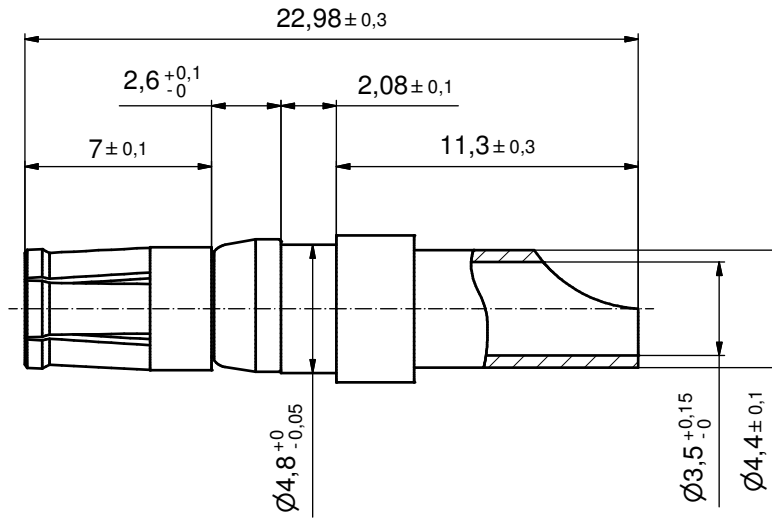
Contact us

Tel: +86-755-8981 8866 Fax: +86-755-8427 6832

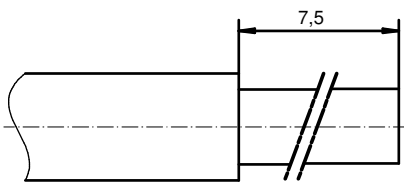
Email & Skype: info@chipsmall.com Web: www.chipsmall.com

Address: A1208, Overseas Decoration Building, #122 Zhenhua RD., Futian, Shenzhen, China





STRIPPING DIMENSION (b)



PLATING ITEM 1	PART-NO.
GOLD FLASH over NICKEL	132A10039X
30µin HARD GOLD over min. 50µin NICKEL	132C10039X

1	1	MATING SIDE	COPPER ALLOY	SEE TABLE
2	1	REAR SIDE	COPPER ALLOY	GOLD FLASH over NICKEL
3	1	RETAINING RING	COPPER ALLOY	NICKEL PLATED
pos	qty	description	material	plating

THIS DRAWING MAY NOT BE COPIED OR REPRODUCED IN ANY WAY, AND MAY NOT BE PASSED ON TO A THIRD PARTY WITHOUT WRITTEN PERMISSION. OWNERSHIP AND COPYRIGHT OF CONEC GmbH DO NOT ALTER CAD DRAWING BY HAND					tolerance	dim. in mm	scale:	5:1	
					date		name	material:	SEE NOTES
					drawn	31.03.16	Henneboel	HIGH POWER CONTACT FEMALE SOLDER CUP 30A FOR AWG 10-12 D-SUB COMBINATION	
					appd.	31.03.16	Schmidt		
					norm				
					d-old			dwg no:	13K11E5A
				2 x b	Ä6066	31.03.2016	K.H.	sh: 1	
				a	Original			part no: SEE TABLE	
				rev.	description	date	name		

RoHS compliant

