



Chipsmall Limited consists of a professional team with an average of over 10 year of expertise in the distribution of electronic components. Based in Hongkong, we have already established firm and mutual-benefit business relationships with customers from,Europe,America and south Asia,supplying obsolete and hard-to-find components to meet their specific needs.

With the principle of “Quality Parts,Customers Priority,Honest Operation,and Considerate Service”,our business mainly focus on the distribution of electronic components. Line cards we deal with include Microchip,ALPS,ROHM,Xilinx,Pulse,ON,Everlight and Freescale. Main products comprise IC,Modules,Potentiometer,IC Socket,Relay,Connector.Our parts cover such applications as commercial,industrial, and automotives areas.

We are looking forward to setting up business relationship with you and hope to provide you with the best service and solution. Let us make a better world for our industry!



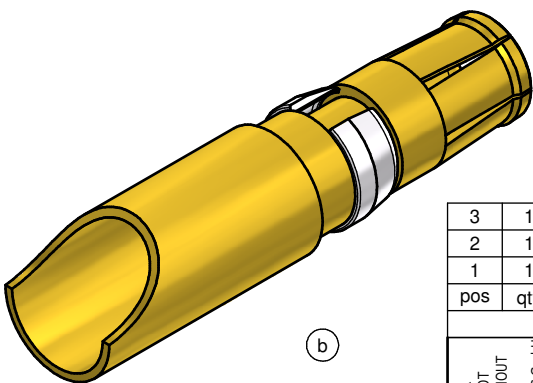
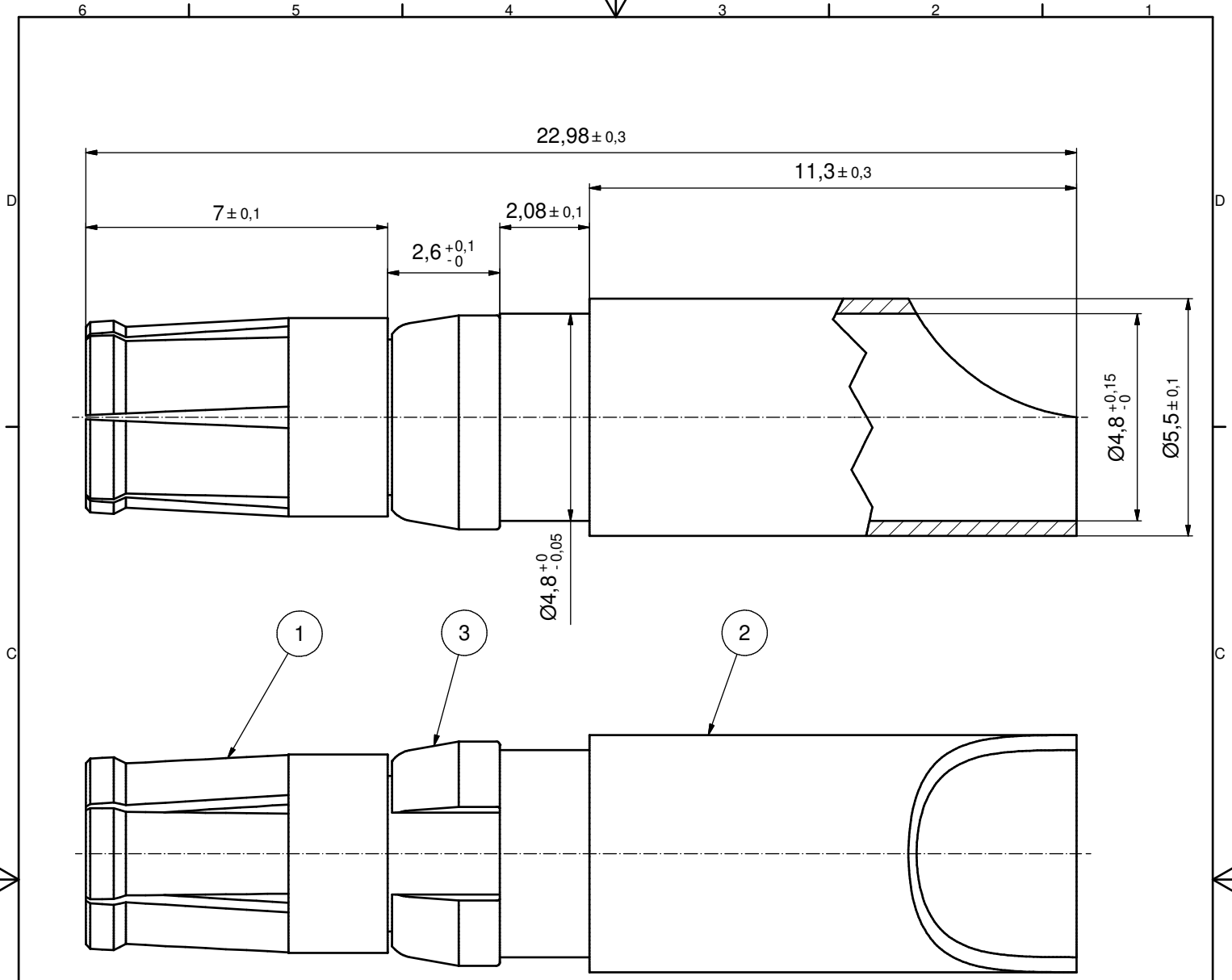
Contact us

Tel: +86-755-8981 8866 Fax: +86-755-8427 6832

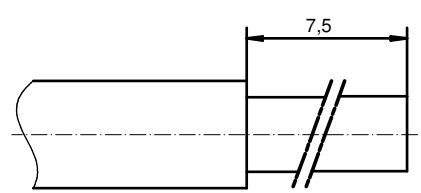
Email & Skype: info@chipsmall.com Web: www.chipsmall.com

Address: A1208, Overseas Decoration Building, #122 Zhenhua RD., Futian, Shenzhen, China





(b) STRIPPING DIMENSION



plating item 1	part no.
GOLD FLASH over NICKEL	132A10049X
30µm HARD GOLD over min. 50µm NICKEL	132C10049X

3	1	RETAINING RING	COPPER ALLOY	NICKEL PLATED
2	1	REAR SIDE	COPPER ALLOY	GOLD
1	1	MATING SIDE	COPPER ALLOY	SEE TABLE
pos	qty	description	material	plating

THIS DRAWING MAY NOT BE COPIED OR REPRODUCED IN ANY WAY, AND MAY NOT BE PASSED ON TO A THIRD PARTY WITHOUT WRITTEN PERMISSION. OWNERSHIP AND COPYRIGHT OF CONEC GmbH DO NOT ALTER CAD DRAWING BY HAND	partlist			tolerance	dim. in mm	scale: 5:1	material: see partlist		
	5 x b	A5637	05.05.15	M.H.	drawn 23.03.1998	Barcinski	title: HIGH POWER CONTACT FEMALE SOLDER CUP 40A D-SUB COMBINATION		
	a	Original			appd. 23.03.1998	Mickenbecker			
	rev.	description	date	name	norm	d-old			13K2IE6A
								(b) 13K1IE6A	DIN-A3
							part no:	see table	sh: 1

RoHS compliant

(b)