



Chipsmall Limited consists of a professional team with an average of over 10 year of expertise in the distribution of electronic components. Based in Hongkong, we have already established firm and mutual-benefit business relationships with customers from,Europe,America and south Asia,supplying obsolete and hard-to-find components to meet their specific needs.

With the principle of “Quality Parts,Customers Priority,Honest Operation,and Considerate Service”,our business mainly focus on the distribution of electronic components. Line cards we deal with include Microchip,ALPS,ROHM,Xilinx,Pulse,ON,Everlight and Freescale. Main products comprise IC,Modules,Potentiometer,IC Socket,Relay,Connector.Our parts cover such applications as commercial,industrial, and automotives areas.

We are looking forward to setting up business relationship with you and hope to provide you with the best service and solution. Let us make a better world for our industry!



## Contact us

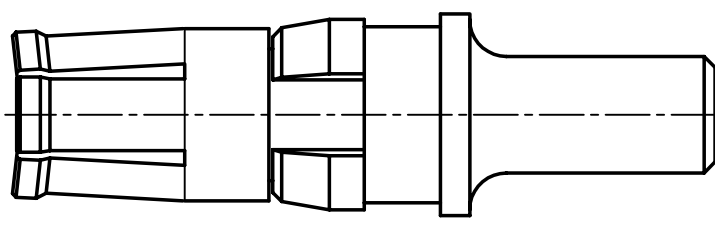
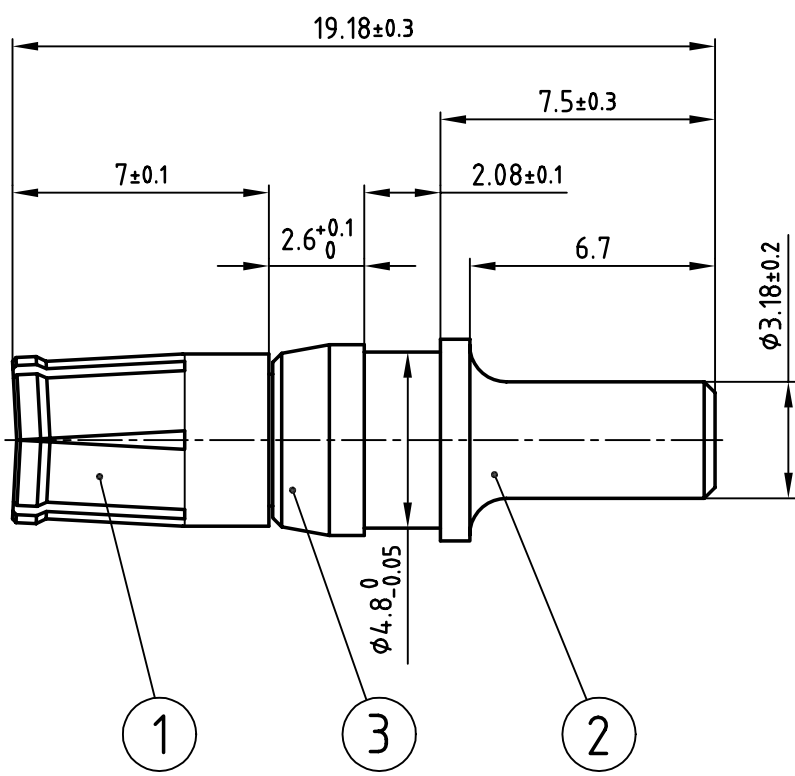
Tel: +86-755-8981 8866 Fax: +86-755-8427 6832

Email & Skype: info@chipsmall.com Web: www.chipsmall.com

Address: A1208, Overseas Decoration Building, #122 Zhenhua RD., Futian, Shenzhen, China



used for: D-SUB COMBINATION



**NOTES:**

- 1. MATERIAL: COPPER ALLOY
- 2. PLATING:  
 ITEM 1: min. 30µ" HARD GOLD OVER min. 50µ" NICKEL  
 ITEM 2: TIN PLATED  
 ITEM 3: NICKEL PLATED

THIS DRAWING MAY NOT BE COPIED OR REPRODUCED IN ANY WAY, AND MAY NOT BE PASSED ON TO A THIRD PARTY WITHOUT WRITTEN PERMISSION.  
 OWNERSHIP AND COPYRIGHT OF CONEC GmbH  
 DO NOT ALTER CAD DRAWING BY HAND

			tolerance ISO 2768-m			scale: 5:1
			1998	date	name	material: SEE NOTES
			drawn	23.03.	Barcinski	title: <b>HIGH POWER CONTACT FEMALE</b> SOLDER PIN STRAIGHT Ø3.18 30A D-SUB COMBINATION
			appd.	23.03.	Mickenbecker	
			norm			
			d-old			
rev.	description	date	name			dwg no: CAD/ REL.13
			product no: <b>132C12049X</b>			

title: <b>HIGH POWER CONTACT FEMALE</b> SOLDER PIN STRAIGHT Ø3.18 30A D-SUB COMBINATION		DIN-A 4
dwg no: CAD/ REL.13		sh: 1/1
product no: <b>132C12049X</b>		