



Chipsmall Limited consists of a professional team with an average of over 10 year of expertise in the distribution of electronic components. Based in Hongkong, we have already established firm and mutual-benefit business relationships with customers from,Europe,America and south Asia,supplying obsolete and hard-to-find components to meet their specific needs.

With the principle of “Quality Parts,Customers Priority,Honest Operation,and Considerate Service”,our business mainly focus on the distribution of electronic components. Line cards we deal with include Microchip,ALPS,ROHM,Xilinx,Pulse,ON,Everlight and Freescale. Main products comprise IC,Modules,Potentiometer,IC Socket,Relay,Connector.Our parts cover such applications as commercial,industrial, and automotives areas.

We are looking forward to setting up business relationship with you and hope to provide you with the best service and solution. Let us make a better world for our industry!



Contact us

Tel: +86-755-8981 8866 Fax: +86-755-8427 6832

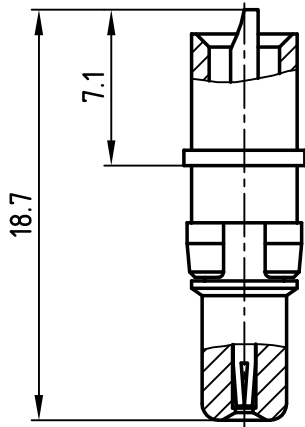
Email & Skype: info@chipsmall.com Web: www.chipsmall.com

Address: A1208, Overseas Decoration Building, #122 Zhenhua RD., Futian, Shenzhen, China

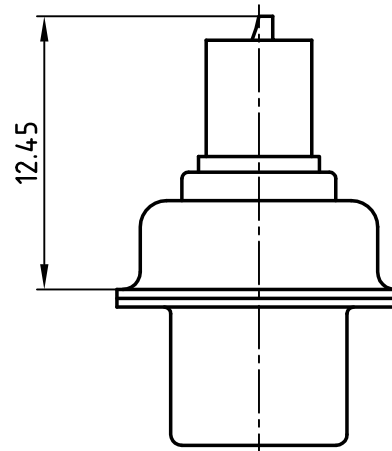
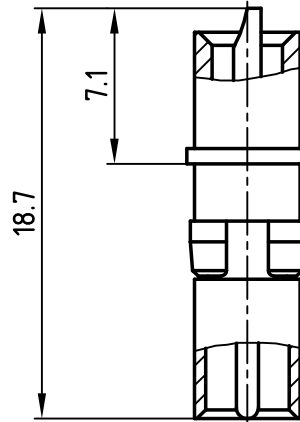


used for: DIN EN 60603

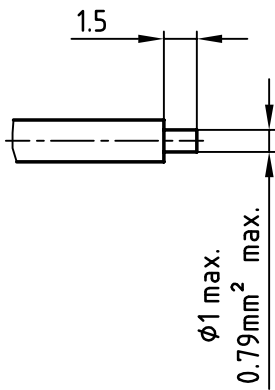
Plug contact
131J14019X



Socket contact
132J14019X



Directive 2002/95/EC
„RoHS“
Compliant



ⓑ MATERIAL:

1. INSULATOR: PLUG CONTACT: PTFE; BLUE
SOCKET CONTACT: PTFE; WHITE
2. CONTACT: COPPER ALLOY; GOLD PLATED
3. RETAINING RING: COPPER ALLOY; NICKEL PLATED

THIS DRAWING MAY NOT BE COPIED OR
REPRODUCED IN ANY WAY, AND MAY NOT
BE PASSED ON TO A THIRD PARTY WITHOUT
WRITTEN PERMISSION.
OWNERSHIP AND COPYRIGHT OF CONEC GmbH
DO NOT ALTER CAD DRAWING BY HAND

rev.	description	date	name
1 x b	Ä3527	14.12.2009	Henneb.
a	Origin		

tolerance



scale: 3:1

material:

title:

HIGH VOLTAGE CONTACT
for solder straight
Socket contact + plug contact

dwg no:

AutoCAD 2000

DIN-A

13K1A568

4

sh: 1/1

part no:

SEE DRAWING

