



Chipsmall Limited consists of a professional team with an average of over 10 year of expertise in the distribution of electronic components. Based in Hongkong, we have already established firm and mutual-benefit business relationships with customers from,Europe,America and south Asia,supplying obsolete and hard-to-find components to meet their specific needs.

With the principle of "Quality Parts,Customers Priority,Honest Operation,and Considerate Service",our business mainly focus on the distribution of electronic components. Line cards we deal with include Microchip,ALPS,ROHM,Xilinx,Pulse,ON,Everlight and Freescale. Main products comprise IC,Modules,Potentiometer,IC Socket,Relay,Connector.Our parts cover such applications as commercial,industrial, and automotives areas.

We are looking forward to setting up business relationship with you and hope to provide you with the best service and solution. Let us make a better world for our industry!



## Contact us

Tel: +86-755-8981 8866 Fax: +86-755-8427 6832

Email & Skype: info@chipsmall.com Web: www.chipsmall.com

Address: A1208, Overseas Decoration Building, #122 Zhenhua RD., Futian, Shenzhen, China



4

3

2

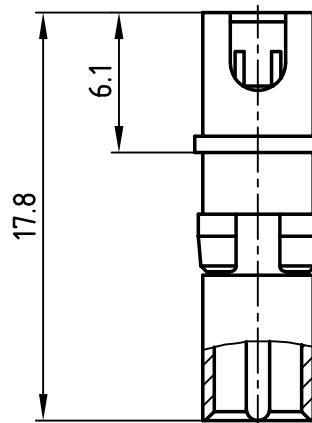
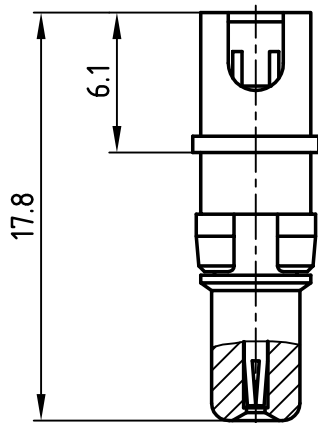
1

used for:

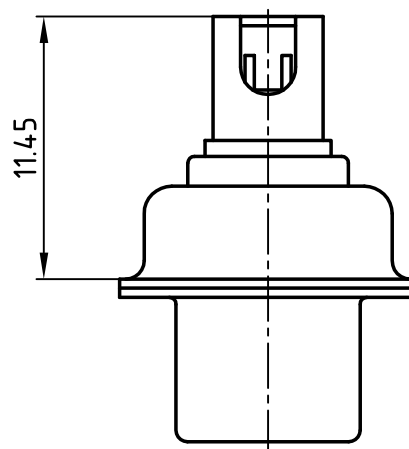
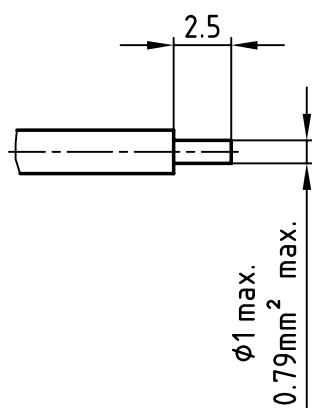
DIN EN 60603

Plug contact  
131J14519X

Socket contact  
132J14519X



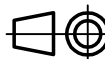
Directive 2002/95/EC  
„RoHS“  
Compliant



(b) MATERIAL:

- (c) 1. INSULATOR: PLUG CONTACT: PTFE; BLUE  
SOCKET CONTACT: PTFE; WHITE  
2. CONTACT: COPPER ALLOY; GOLD PLATED  
3. RETAINING RING: COPPER ALLOY; NICKEL PLATED

tolerance



scale:

3:1

material:

SEE DRAWING

title:

**HIGH VOLTAGE CONTACT**  
for solder angled  
Socket contact + plug contact

dwg no:

AutoCAD 2000

DIN-A

13K1A569

4

sh: 1/1

part no:

SEE DRAWING

2002	date	name
drawn	07.05.	Parei
appd.	07.05.	E. Mickenbecker
norm	DIN EN 60603	
1 x c	Ä3527	14.12.2009 Henneb.
1 x b	Ä 2434	01.02.2006 Lehmen.
a	Origin	
rev.	description	date name

**CONEC**<sup>®</sup>

THIS DRAWING MAY NOT BE COPIED OR  
REPRODUCED IN ANY WAY, AND MAY NOT  
BE PASSED ON TO A THIRD PARTY WITHOUT  
WRITTEN PERMISSION.

OWNERSHIP AND COPYRIGHT OF CONEC GmbH

DO NOT ALTER CAD DRAWING BY HAND

4

3

2

1

F

F

E

E

D

D

C

C

B

B

A

A