



Chipsmall Limited consists of a professional team with an average of over 10 year of expertise in the distribution of electronic components. Based in Hongkong, we have already established firm and mutual-benefit business relationships with customers from,Europe,America and south Asia,supplying obsolete and hard-to-find components to meet their specific needs.

With the principle of "Quality Parts,Customers Priority,Honest Operation,and Considerate Service",our business mainly focus on the distribution of electronic components. Line cards we deal with include Microchip,ALPS,ROHM,Xilinx,Pulse,ON,Everlight and Freescale. Main products comprise IC,Modules,Potentiometer,IC Socket,Relay,Connector.Our parts cover such applications as commercial,industrial, and automotives areas.

We are looking forward to setting up business relationship with you and hope to provide you with the best service and solution. Let us make a better world for our industry!



## Contact us

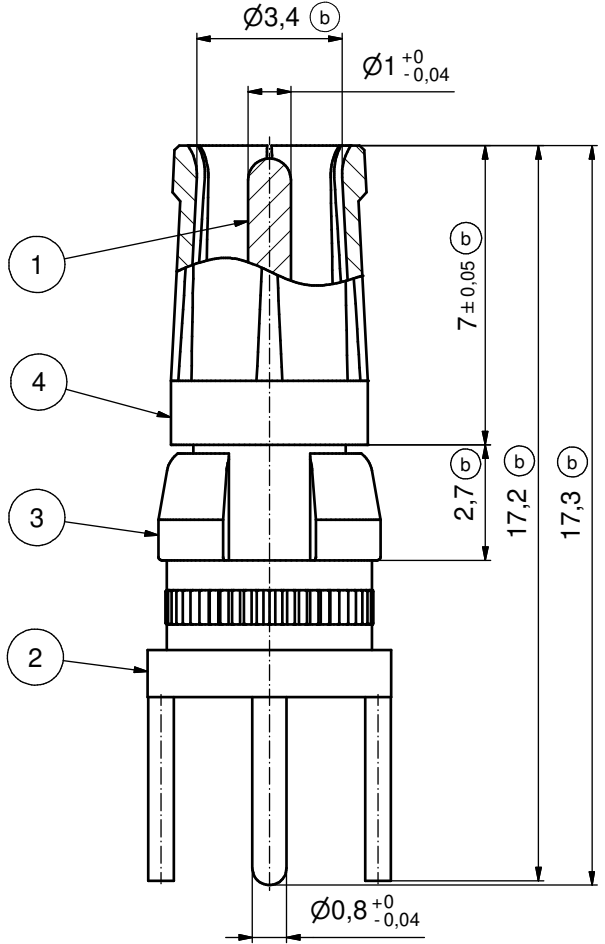
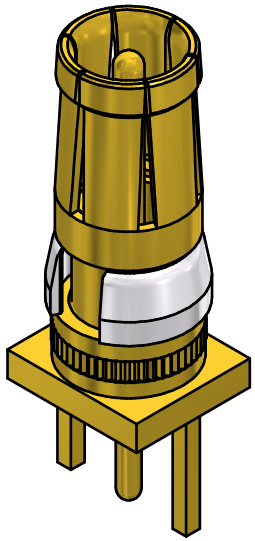
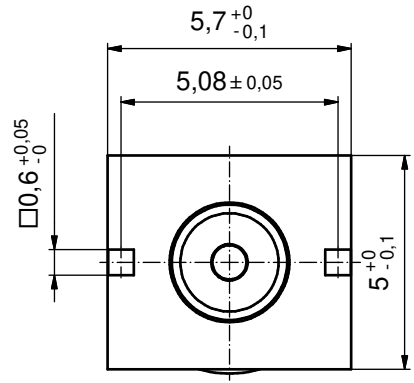
Tel: +86-755-8981 8866 Fax: +86-755-8427 6832

Email & Skype: info@chipsmall.com Web: www.chipsmall.com

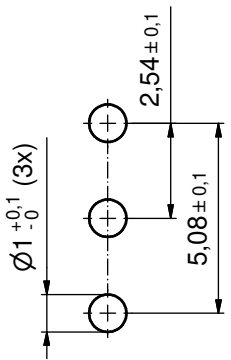
Address: A1208, Overseas Decoration Building, #122 Zhenhua RD., Futian, Shenzhen, China



| Part no.   | Finish Pos.1                                | Finish Pos.2           | Finish Pos.3  | Finish Pos.4                                |
|------------|---|------------------------|---------------|---|
| 132A24019X | GOLD FLASH over NICKEL                      | GOLD FLASH over NICKEL | NICKEL PLATED | GOLD FLASH over NICKEL                      |
| 132J24019X | min. 50µin HARD GOLD over min. 50µin NICKEL | GOLD FLASH over NICKEL | NICKEL PLATED | min. 30µin HARD GOLD over min. 50µin NICKEL |



(b) MOUNTING HOLES



Directive 2002/95/EC RoHS compliant

|   |   |          |            |   |                  |        |
|---|---|----------|------------|---|------------------|--------|
| THIS DRAWING MAY NOT BE COPIED OR REPRODUCED IN ANY WAY, AND MAY NOT BE PASSED ON TO A THIRD PARTY WITHOUT WRITTEN PERMISSION. OWNERSHIP AND COPYRIGHT OF CONEC GmbH DO NOT ALTER CAD DRAWING BY HAND | tolerance                               |          | dim. in mm | scale: 8:1  |                  |        |
|   | material: COPPER ALLOY (Pos. 1 - 4) (b) |          |            | title: COAXIAL CONTACT SOCKET 50 OHM<br>Straight PCB termination, (76) with 3 Pins<br>for D-SUB COMBINATION |                  |        |
|   | 7 x b                                   | Ä5188    | 30.04.14   | HS  | dwg no: 13K2IARA | DIN-A3 |
|   | a                                       | Original |            |   | sh: 1            |        |
| rev.  | description                             | date     | name       | part no: see table (b)  |                  |        |

