



Chipsmall Limited consists of a professional team with an average of over 10 year of expertise in the distribution of electronic components. Based in Hongkong, we have already established firm and mutual-benefit business relationships with customers from,Europe,America and south Asia,supplying obsolete and hard-to-find components to meet their specific needs.

With the principle of “Quality Parts,Customers Priority,Honest Operation,and Considerate Service”,our business mainly focus on the distribution of electronic components. Line cards we deal with include Microchip,ALPS,ROHM,Xilinx,Pulse,ON,Everlight and Freescale. Main products comprise IC,Modules,Potentiometer,IC Socket,Relay,Connector.Our parts cover such applications as commercial,industrial, and automotives areas.

We are looking forward to setting up business relationship with you and hope to provide you with the best service and solution. Let us make a better world for our industry!



Contact us

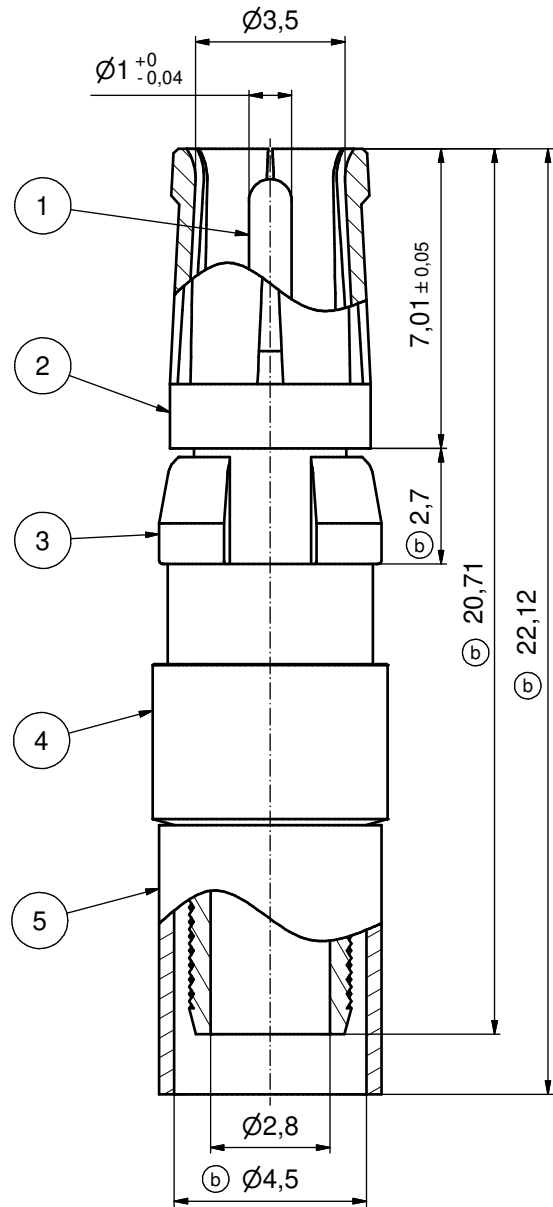
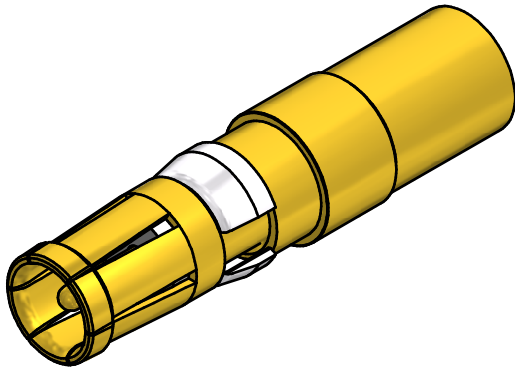
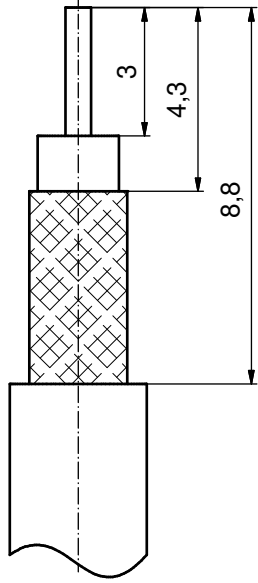
Tel: +86-755-8981 8866 Fax: +86-755-8427 6832

Email & Skype: info@chipsmall.com Web: www.chipsmall.com

Address: A1208, Overseas Decoration Building, #122 Zhenhua RD., Futian, Shenzhen, China



(b) STRIPPING DIMENSIONS



(b) ASSEMBLY TOOLING:

1. CENTER CONTACT:
USE CRIMP TOOL: 360X10329X
WITH TOOL INSERT: 360X11049X
SELECTOR SETTING: 3 (FOR AWG 30 CENTER CONDUCTOR OF CABLE)
2. CRIMP FERRULE:
USE CRIMP TOOL: 360X10519X
WITH TOOL INSERT: 360X11019X
INSERT CAVITY A: HEX 4.52/.178

| Part no. | Finish Pos.1 | Finish Pos.2 | Finish Pos.3 | Finish Pos. 4/5 |
|------------|---|---|---------------|------------------------|
| 132J31029X | min. 50µin HARD GOLD over min. 50µin NICKEL | min. 30µin HARD GOLD over min. 50µin NICKEL | NICKEL PLATED | GOLD FLASH over NICKEL |
| 132A31029X | GOLD FLASH over NICKEL | GOLD FLASH over NICKEL | NICKEL PLATED | GOLD FLASH over NICKEL |

Directive 2002/95/EC RoHS compliant

| | | | | | |
|---|-----------|--|------------|--|---|
| THIS DRAWING MAY NOT BE COPIED OR REPRODUCED IN ANY WAY, AND MAY NOT BE PASSED ON TO A THIRD PARTY WITHOUT WRITTEN PERMISSION. OWNERSHIP AND COPYRIGHT OF CONEC GmbH DO NOT ALTER CAD DRAWING BY HAND | tolerance | | dim. in mm | | scale: 8:1 |
| | | | | | material: COPPER ALLOY (Pos. 1 - 5) (b) |
| | | | | | title: COAXIAL CONTACT SOCKET 75 OHM inner + outer conductor for crimp termination for cable RG 180BU |
| | | | | | dwg no: 13K2IAWA |
| | | | | | DIN-A3 sh: 1 |
| | | | | | part no: see table |

| | | | | |
|-------|-------------|----------|------|---------------------------|
| 8 x b | Ä3774 | 10.01.11 | HS | CONEC [®] |
| a | Origin | | | |
| rev. | description | date | name | |