

Chipsmall Limited consists of a professional team with an average of over 10 year of expertise in the distribution of electronic components. Based in Hongkong, we have already established firm and mutual-benefit business relationships with customers from,Europe,America and south Asia,supplying obsolete and hard-to-find components to meet their specific needs.

With the principle of “Quality Parts,Customers Priority,Honest Operation,and Considerate Service”,our business mainly focus on the distribution of electronic components. Line cards we deal with include Microchip,ALPS,ROHM,Xilinx,Pulse,ON,Everlight and Freescale. Main products comprise IC,Modules,Potentiometer,IC Socket,Relay,Connector.Our parts cover such applications as commercial,industrial, and automotives areas.

We are looking forward to setting up business relationship with you and hope to provide you with the best service and solution. Let us make a better world for our industry!



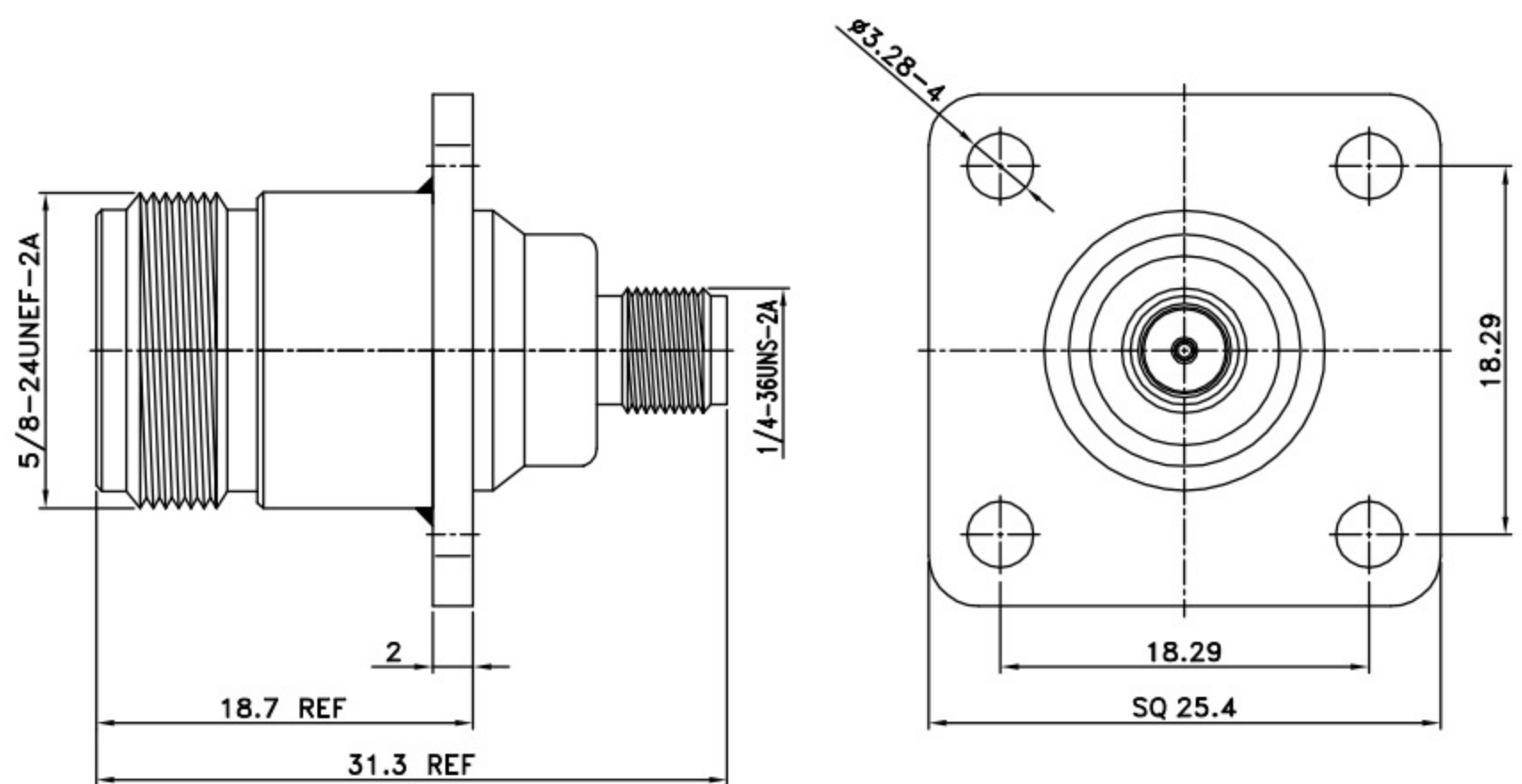
Contact us

Tel: +86-755-8981 8866 Fax: +86-755-8427 6832

Email & Skype: info@chipsmall.com Web: www.chipsmall.com

Address: A1208, Overseas Decoration Building, #122 Zhenhua RD., Futian, Shenzhen, China

REV	DESCRIPTION\PER REQUEST	DRAWN	DATE



6	Dielectric	1	Teflon	None
5	Dielectric	1	Teflon	None
4	Pin	1	Phos Bronze	Gold
3	Pin	1	Phos Bronze	Gold
2	Body	1	Brass	Nickel
1	Assembly	1	Brass	Nickel
<i>NO</i>	<i>Description</i>	<i>Q'ty</i>	<i>Material</i>	<i>Finish</i>

PART NO.	132P9505
APPROVED	DATE 10/29/12
CHECKED	DATE 10/29/12
DRAWN	DATE 10/29/12
	Wen

* MAJOR DIMENSION
UNLESS OTHERWISE NOTED TOLERANCES
0.5-6=±0.2
6-30=±0.4
30-120=±0.6
120-315=±1.0
ANGLES=±1°
SCALE 5/2 UNIT mm

Bomar Interconnect Products, Inc	
TITLE N PANEL JACK TO SMA JACK ADAPTER	
DRAWING NO.	ASN-11220-1-TGN
REV	A
FILE NO. W:\AS\ASN\ASN-11220-1-TGN Bomar->20121105	