



Chipsmall Limited consists of a professional team with an average of over 10 year of expertise in the distribution of electronic components. Based in Hongkong, we have already established firm and mutual-benefit business relationships with customers from,Europe,America and south Asia,supplying obsolete and hard-to-find components to meet their specific needs.

With the principle of "Quality Parts,Customers Priority,Honest Operation,and Considerate Service",our business mainly focus on the distribution of electronic components. Line cards we deal with include Microchip,ALPS,ROHM,Xilinx,Pulse,ON,Everlight and Freescale. Main products comprise IC,Modules,Potentiometer,IC Socket,Relay,Connector.Our parts cover such applications as commercial,industrial, and automotives areas.

We are looking forward to setting up business relationship with you and hope to provide you with the best service and solution. Let us make a better world for our industry!



Contact us

Tel: +86-755-8981 8866 Fax: +86-755-8427 6832

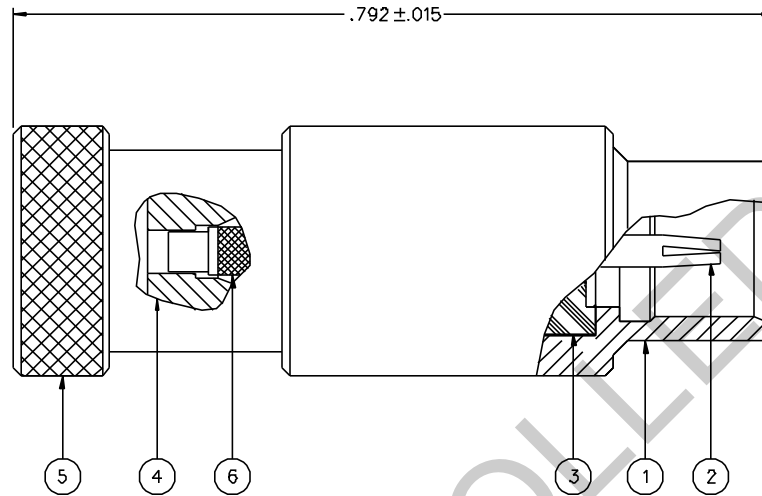
Email & Skype: info@chipsmall.com Web: www.chipsmall.com

Address: A1208, Overseas Decoration Building, #122 Zhenhua RD., Futian, Shenzhen, China



PART NUMBER	ITEM ① FRONT BODY	ITEM ② CONTACT	ITEM ③ INSULATOR	ITEM ④ REAR BODY	ITEM ⑤ END CAP	ITEM ⑥ RESISTOR
133-8701-B31	BRASS GOLD PL .00001 MIN OVER NICKEL PL .00005 MIN OVER COPPER PL .00005 MIN	BERYLLIUM COPPER GOLD PL .00005 MIN OVER NICKEL PL .00005 MIN OVER COPPER PL .00005 MIN	TEFLON	BERYLLIUM COPPER GOLD PL .00001 MIN OVER NICKEL PL .00005 MIN OVER COPPER PL .00005 MIN	BRASS GOLD PL .00001 MIN OVER NICKEL PL .00005 MIN OVER COPPER PL .00005 MIN	METAL FILM TYPE ALUMINA SUBSTRATE 75 OHM -- 1%

DRAWING NO. C - 133-8701-831/840	
0	REVISIONS
ENGINEERING RELEASE	
1	12-30-99 R H J R J 11-24-00 ECN 46769
CHANGED: .792±.015 WAS .800±.015, 1.0 LB MIN/8.0 LBS MAX DISENGAGEMENT WAS 3.0 LBS TYP, 1.0 LBS MIN DISENGAGEMENT 2.3 LBS MIN AXIAL FORCE WAS 4 LBS	
* REVISION NUMBER FOLLOWED BY AN ALPHA * * CHARACTER INDICATES DRAWING CLARIF- * * GATION OR PART NUMBER ADDITION ONLY. *	
1a	7-25-01 R H J R J ECN 47589



NOTES:

1. SPECIFICATIONS:

IMPEDANCE: 75 OHMS
 FREQUENCY RANGE: 0-6 GHz
 VSWR: 1.05±.01F MAX (F IN GHz)
 MAXIMUM POWER: 1.0 WATT
 POWER RATINGS: MAXIMUM RATED POWER TO +25°C DERATED LINEARLY TO 0.5 WATT AT +125°C

CONTACT RESISTANCE:
 CENTER CONTACT - INITIAL 5 MILLIOHM MAX, AFTER ENVIRONMENTAL 8 MILLIOHM MAX
 OUTER CONDUCTOR - GOLD PLATED INITIAL 1 MILLIOHM MAX, AFTER ENVIRONMENTAL 1.5 MILLIOHM MAX

MECHANICAL:

ENGAGE/DISENGAGE FORCE: 5.6 LBS MAX ENGAGEMENT
 1.0 LB MIN DISENGAGEMENT
 8.0 LBS MAX DISENGAGEMENT
 CONTACT RETENTION FORCE: 2.3 LBS MIN AXIAL FORCE
 DURABILITY: 500 CYCLES MIN

ENVIRONMENTAL:


OPERATING TEMPERATURE: -65°C TO +125°C
 TEMPERATURE COEFFICIENT: ± 300 PPM/DEG C

CUSTOMER DRAWING

THIS DRAWING TO BE INTERPRETED PER ANSI Y 14.5M - 1982

"μSTATION"

COMPANY CONFIDENTIAL

TOLERANCE UNLESS OTHERWISE SPECIFIED	DRAWN BY JRK	DATE 9-22-99	 <small>Cinch Connectivity Solutions 299 Johnson Ave. Ste. 100 Waukegan, MN 55095 1-800-247-8256</small>	
DECIMALS .XX	CHECKED BY JRK	DATE 1-7-00	TITLE JACK ASSEMBLY, PRECISION LOAD, 75 OHM MCX	
.XXX±.003	APPROVED BY RJB	DATE 1-10-00		
MATL	APPROVED BY	DATE	CODE NO.	DRAWING NO. C - 133-8701-831/840
FINISH	RELEASE DATE	1-24-00	SCALE 10:1	U/M INCH SHEET 2 OF 2