



Chipsmall Limited consists of a professional team with an average of over 10 year of expertise in the distribution of electronic components. Based in Hongkong, we have already established firm and mutual-benefit business relationships with customers from,Europe,America and south Asia,supplying obsolete and hard-to-find components to meet their specific needs.

With the principle of “Quality Parts,Customers Priority,Honest Operation,and Considerate Service”,our business mainly focus on the distribution of electronic components. Line cards we deal with include Microchip,ALPS,ROHM,Xilinx,Pulse,ON,Everlight and Freescale. Main products comprise IC,Modules,Potentiometer,IC Socket,Relay,Connector.Our parts cover such applications as commercial,industrial, and automotives areas.

We are looking forward to setting up business relationship with you and hope to provide you with the best service and solution. Let us make a better world for our industry!



Contact us

Tel: +86-755-8981 8866 Fax: +86-755-8427 6832

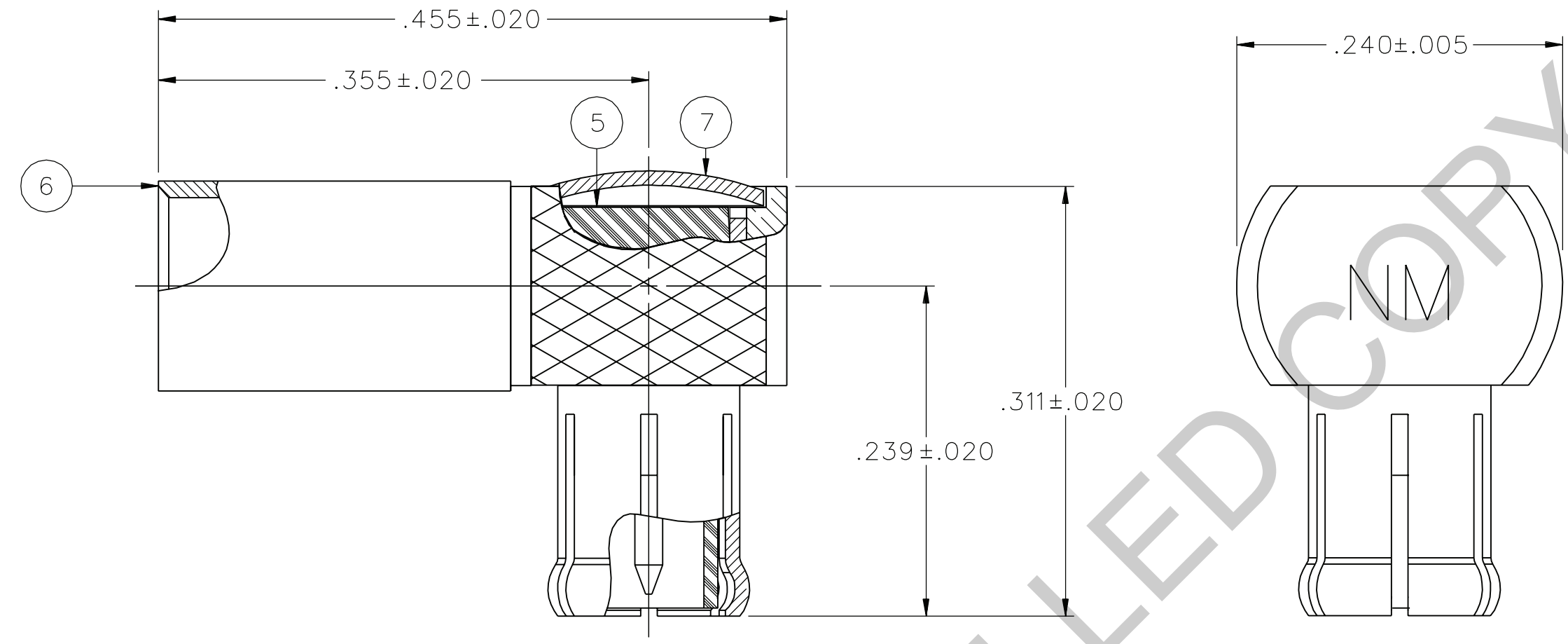
Email & Skype: info@chipsmall.com Web: www.chipsmall.com

Address: A1208, Overseas Decoration Building, #122 Zhenhua RD., Futian, Shenzhen, China



PART NUMBER	ITEM ① BODY	ITEM ② CONTACT	ITEM ③ INTERFACE	ITEM ④ INSULATOR	ITEM ⑤ INSULATOR	ITEM ⑥ CRIMP SLEEVE	ITEM ⑦ END CAP
133-9403-101	COPPER ALLOY GOLD PL .00005 MIN OVER COPPER PL .00005 MIN	COPPER ALLOY GOLD PL .00005 MIN OVER COPPER PL .00005 MIN	BERYLLIUM COPPER GOLD PL .00005 MIN OVER COPPER PL .00005 MIN	TEFLON	TEFLON	COPPER ALLOY GOLD PL .00005 MIN OVER COPPER PL .00005 MIN	COPPER ALLOY GOLD PL .00005 MIN OVER COPPER PL .00005 MIN
133-9403-104	COPPER ALLOY SILVER PL .00005 MIN OVER COPPER PL .00005 MIN	COPPER ALLOY SILVER PL .00005 MIN OVER COPPER PL .00005 MIN	BERYLLIUM COPPER SILVER PL .00005 MIN OVER COPPER PL .00005 MIN	TEFLON	TEFLON	COPPER ALLOY SILVER PL .00005 MIN OVER COPPER PL .00005 MIN	COPPER ALLOY SILVER PL .00005 MIN OVER COPPER PL .00005 MIN

DRAWING NO. C - 133-9403-101/110	
0	REVISIONS
ENGINEERING RELEASE	
1	7-21-03 R H T R J B ECN 48906
COPPER ALLOY WAS COPPER COPPER ALLOY WAS BRASS VERSION UPDATE	
2	1-12-07 P J T A S K ECN 50902
VERSION UPDATE	
***** * REVISION NUMBER FOLLOWED BY AN ALPHA * * CHARACTER INDICATES DRAWING CLARIFI- * * CATION OR PART NUMBER ADDITION ONLY. * *****	
2a	1-22-09 P A R M R J C N T J B U B J C N ECN 51749



NOTES:

- SPECIFICATIONS:
 - IMPEDANCE: 50 OHMS
 - FREQUENCY RANGE: 0-6 GHz
 - VSWR: 1.07+.04F MAX (F IN GHz)
 - WORKING VOLTAGE: 335 VRMS MAX AT SEA LEVEL
 - DIELECTRIC WITHSTANDING VOLTAGE: 1000 VRMS MIN AT SEA LEVEL
 - INSULATION RESISTANCE: 10000 MEGOHM MIN
 - CONTACT RESISTANCE:
 - CENTER CONTACT - INITIAL 5 MILLIOHM MAX, AFTER ENVIRONMENTAL 15 MILLIOHM MAX
 - OUTER CONDUCTOR - INITIAL 1 MILLIOHM MAX, AFTER ENVIRONMENTAL 1.5 MILLIOHM MAX
 - BODY TO CABLE - INITIAL 1 MILLIOHM MAX, AFTER ENVIRONMENTAL NOT APPLICABLE
 - CORONA LEVEL: 250 VOLTS MINIMUM AT 70,000 FEET
 - INSERTION LOSS: .2 DB MAX AT 1GHz
 - RF LEAKAGE: -55 DB AT 2.5 GHz
 - RF HIGH POTENTIAL WITHSTANDING VOLTAGE: 700 VRMS AT 4 AND 7 MHz

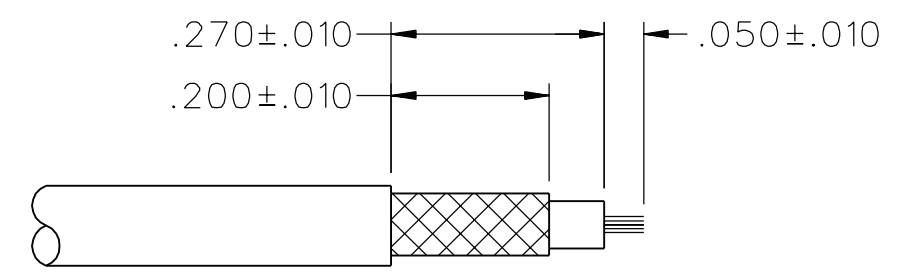
MECHANICAL:

- ENGAGE/DISENGAGE FORCE: 5.6 LBS MAX ENGAGEMENT
1.0/8.0 LBS MIN/MAX DISENGAGEMENT
- CONTACT RETENTION FORCE: 2.3 LBS MIN AXIAL FORCE
- CONTACT RETENTION TORQUE: NOT APPLICABLE
- COUPLING MECHANISM RETENTION: NOT APPLICABLE
- CABLE ACCEPTABILITY: RG 188/U, RG 316/U, RG 161/U, RG 174/U
- CABLE HEX CRIMP SIZE: .128
- CABLE RETENTION: 20 LBS MIN AXIAL FORCE
- DURABILITY: 500 CYCLES MIN

ENVIRONMENTAL:

- (MEETS OR EXCEEDS THE APPLICABLE PARAGRAPH OF MIL-PRF-39012)
- THERMAL SHOCK: MIL-STD-202, METHOD 107, CONDITION F
- OPERATING TEMPERATURE: -65 DEG C TO 165 DEG C
- CORROSION: MIL-STD-202, METHOD 101, CONDITION B
- SHOCK: MIL-STD-202, METHOD 213, CONDITION B
- VIBRATION: MIL-STD-202, METHOD 204, CONDITION B
- MOISTURE RESISTANCE: MIL-STD-202, METHOD 106

- CONNECTOR MARKED "NM" FOR NON-MAGNETIC



CABLE STRIP DIMENSIONS


4:1

CUSTOMER DRAWING

THIS DRAWING TO BE INTERPRETED PER ASME Y 14.5M - 1994

"μ STATION"

COMPANY CONFIDENTIAL

TOLERANCE UNLESS OTHERWISE SPECIFIED	DRAWN BY RSH	DATE 3-5-03	 Cinch CONNECTIVITY SOLUTIONS a bel group	Cinch Connectivity Solutions P.O. Box 1732 Waseca, MN 56093 1-800-247-8256	
DECIMALS _____ mm _____	CHECKED BY TAK	DATE 7-29-03		TITLE PLUG ASSEMBLY RIGHT ANGLE CABLED, RG 316 NON-MAGNETIC MCX	
.XXX _____	APPROVED BY RJB	DATE 7-29-03	SHEET 2 OF 2		
MATL _____	RELEASE DATE 7-29-03	SCALE 10:1	DRAWING NO. C - 133-9403-101/110		
FINISH _____	U/M INCH				