



Chipsmall Limited consists of a professional team with an average of over 10 year of expertise in the distribution of electronic components. Based in Hongkong, we have already established firm and mutual-benefit business relationships with customers from,Europe,America and south Asia,supplying obsolete and hard-to-find components to meet their specific needs.

With the principle of “Quality Parts,Customers Priority,Honest Operation,and Considerate Service”,our business mainly focus on the distribution of electronic components. Line cards we deal with include Microchip,ALPS,ROHM,Xilinx,Pulse,ON,Everlight and Freescale. Main products comprise IC,Modules,Potentiometer,IC Socket,Relay,Connector.Our parts cover such applications as commercial,industrial, and automotives areas.

We are looking forward to setting up business relationship with you and hope to provide you with the best service and solution. Let us make a better world for our industry!



Contact us

Tel: +86-755-8981 8866 Fax: +86-755-8427 6832

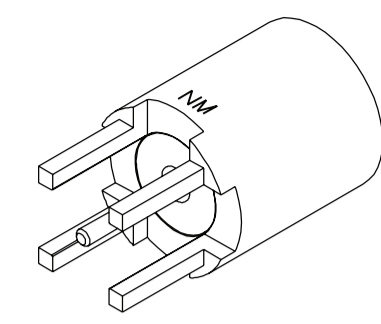
Email & Skype: info@chipsmall.com Web: www.chipsmall.com

Address: A1208, Overseas Decoration Building, #122 Zhenhua RD., Futian, Shenzhen, China

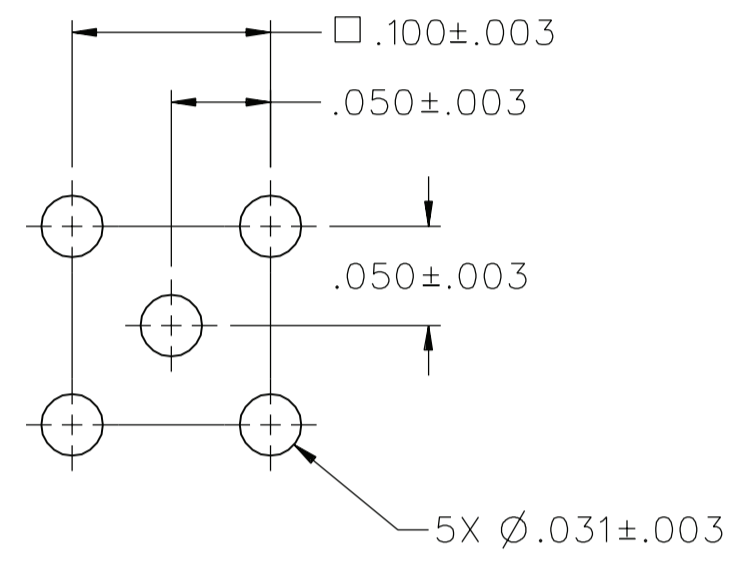


PART NUMBER	ITEM ① BODY	ITEM ② CONTACT	ITEM ③ INSULATOR
133-9701-231	COPPER ALLOY GOLD PL .00005 MIN OVER COPPER PL .00005 MIN	BERYLLIUM COPPER GOLD PL .00005 MIN OVER COPPER PL .00005 MIN	TEFLON

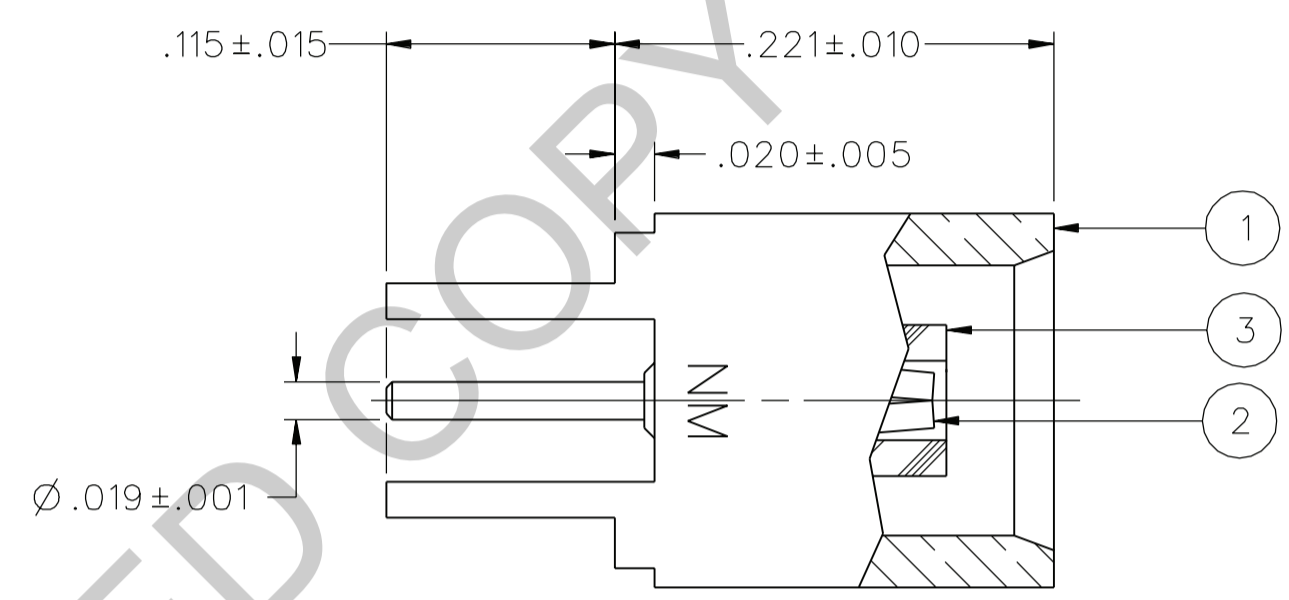
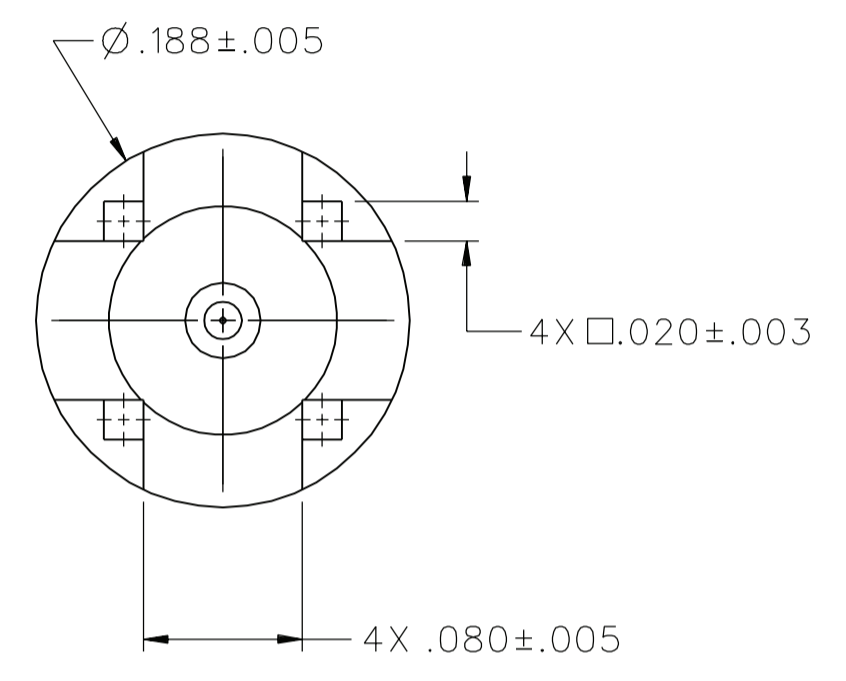
DRAWING NO. C - 133-9701-231/240	
0	REVISIONS
ENGINEERING RELEASE	
1	10-6-08 P A T M T J 10-10-08 R K K U S ECN 51685



5:1



MOUNTING HOLE LAYOUT



NOTES:

- SPECIFICATIONS:
 - IMPEDANCE: 50 OHMS
 - FREQUENCY RANGE: 0-6 GHz
 - VSWR: NOT APPLICABLE
 - WORKING VOLTAGE: 335 VRMS MAX AT SEA LEVEL
 - DIELECTRIC WITHSTANDING VOLTAGE: 1000 VRMS MIN AT SEA LEVEL
 - INSULATION RESISTANCE: 10000 MEGOHM MIN
 - CONTACT RESISTANCE:
 - CENTER CONTACT - INITIAL 5 MILLIOHM MAX, AFTER ENVIRONMENTAL 8 MILLIOHM MAX
 - OUTER CONDUCTOR - GOLD PLATED INITIAL 1 MILLIOHM MAX, AFTER ENVIRONMENTAL 1.5 MILLIOHM MAX
 - BRAID TO BODY - NOT APPLICABLE
 - CORONA LEVEL: 250 VOLTS MINIMUM AT 70,000 FEET
 - INSERTION LOSS: NOT APPLICABLE
 - RF LEAKAGE: NOT APPLICABLE
 - RF HIGH POTENTIAL WITHSTANDING VOLTAGE: 600 VRMS AT 4 AND 7 MHZ
- MECHANICAL:
 - ENGAGE/DISENGAGE FORCE: 5.6 LBS MAX ENGAGEMENT, 1.0 LB MIN DISENGAGEMENT, 8.0 LBS MAX DISENGAGEMENT
 - CONTACT RETENTION FORCE: 2.3 LBS MIN AXIAL FORCE
 - CONTACT RETENTION TORQUE: NOT APPLICABLE
 - COUPLING MECHANISM RETENTION: NOT APPLICABLE
 - CABLE ACCEPTABILITY: NOT APPLICABLE
 - CABLE HEX CRIMP SIZE: NOT APPLICABLE
 - CABLE RETENTION: NOT APPLICABLE
 - DURABILITY: 500 CYCLES MIN
- ENVIRONMENTAL:
 - (MEETS OR EXCEEDS THE APPLICABLE PARAGRAPH OF MIL-C-PRF-39012)
 - THERMAL SHOCK: MIL-STD-202, METHOD 107, CONDITION F
 - OPERATING TEMPERATURE: -65 DEG C TO 165 DEG C
 - CORROSION: MIL-STD-202, METHOD 101, CONDITION B
 - SHOCK: MIL-STD-202, METHOD 213, CONDITION B
 - VIBRATION: MIL-STD-202, METHOD 204, CONDITION B
 - MOISTURE: MIL-STD-202, METHOD 106


UNCONTROLLED COPY

CUSTOMER DRAWING

THIS DRAWING TO BE INTERPRETED PER ASME Y 14.5M - 1994

"μSTATION"

COMPANY CONFIDENTIAL

TOLERANCE UNLESS OTHERWISE SPECIFIED	DRAWN BY MRK	DATE 5-23-08	 Cinch CONNECTIVITY SOLUTIONS a bel group	Cinch Connectivity Solutions P.O. Box 1732 Waseca, MN 56093 1-800-247-8256
.XX _____ mm	CHECKED BY TJS	DATE 10-10-08		TITLE JACK ASSEMBLY STRAIGHT PC MOUNT MCX NON-MAG
.XXX _____	APPROVED BY TAK	DATE 10-10-08	SHEET 2 OF 2	DRAWING NO. C - 133-9701-231/240
MATL _____	RELEASE DATE 10-10-08	U/M INCH	SCALE 10:1	