



Chipsmall Limited consists of a professional team with an average of over 10 year of expertise in the distribution of electronic components. Based in Hongkong, we have already established firm and mutual-benefit business relationships with customers from,Europe,America and south Asia,supplying obsolete and hard-to-find components to meet their specific needs.

With the principle of “Quality Parts,Customers Priority,Honest Operation,and Considerate Service”,our business mainly focus on the distribution of electronic components. Line cards we deal with include Microchip,ALPS,ROHM,Xilinx,Pulse,ON,Everlight and Freescale. Main products comprise IC,Modules,Potentiometer,IC Socket,Relay,Connector.Our parts cover such applications as commercial,industrial, and automotives areas.

We are looking forward to setting up business relationship with you and hope to provide you with the best service and solution. Let us make a better world for our industry!



Contact us

Tel: +86-755-8981 8866 Fax: +86-755-8427 6832

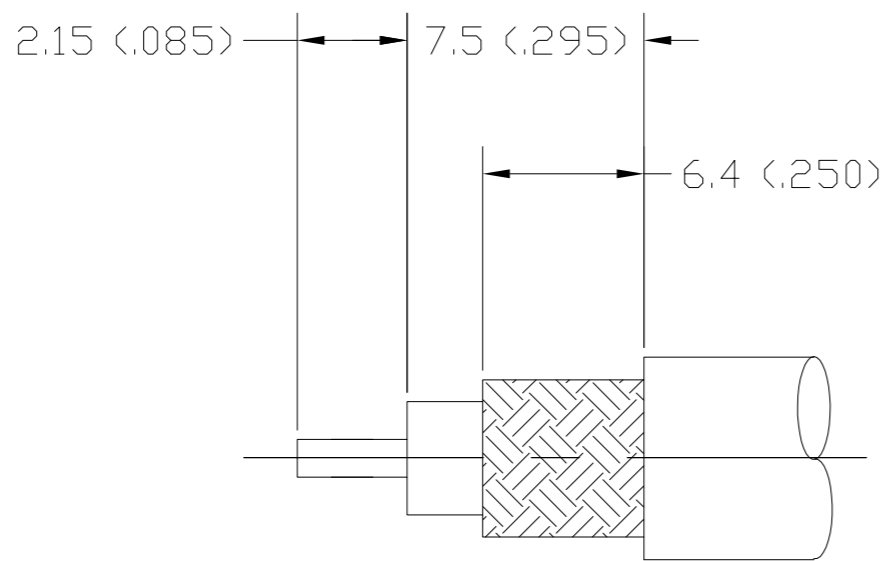
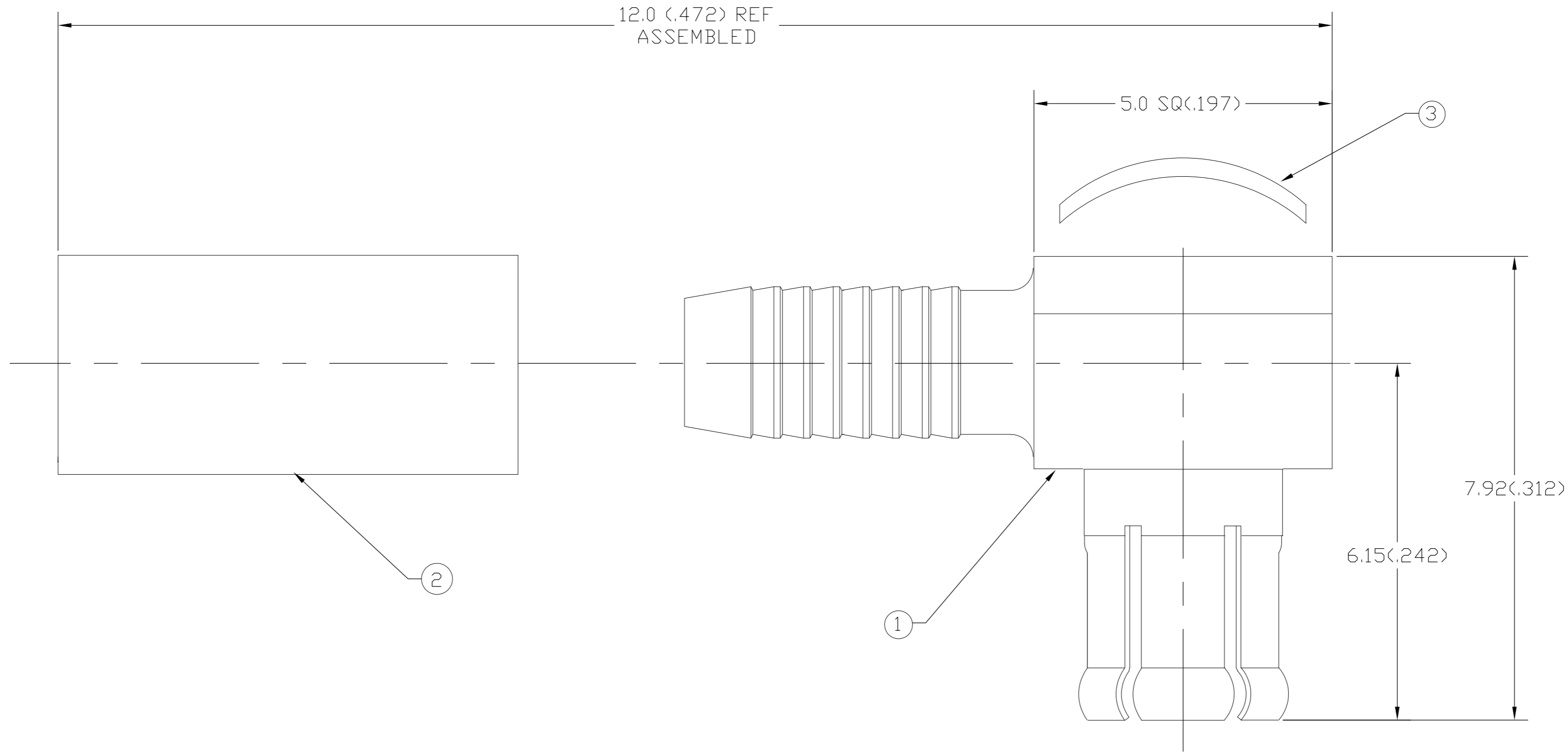
Email & Skype: info@chipsmall.com Web: www.chipsmall.com

Address: A1208, Overseas Decoration Building, #122 Zhenhua RD., Futian, Shenzhen, China



THIS DRAWING IS UNPUBLISHED. RELEASED FOR PUBLICATION
 © COPYRIGHT - By - ALL RIGHTS RESERVED.

LOC		DIST		REVISIONS			
P	LTR	DESCRIPTION		DATE	DWN	APVD	
AJ	00	E		REV PER ECO-13-011283	09DEC2013	G.C	M.Y



CABLE TRIM DIMENSIONS

1. FOR USE IWTH RG-174, RG-188 AND RG-316 CABLE.

	GOLD	3-1403081-6	3-413889-1	1408228-2	1330723-3
OBSOLETE	NICKEL	3-1403081-3	2-413889-4	1408228-1	1330723-1
	HOUSING	CAP	FERRULE	HSG ASSY	PART NUMBER
	PLATE	③ QTY=1	② QTY=1	① QTY=1	

THIS DRAWING IS A CONTROLLED DOCUMENT.		DWN	12MAR01		TE Connectivity		
DIMENSIONS: mm [INCHES]		CHK	12MAR01		NAME		
TOLERANCES UNLESS OTHERWISE SPECIFIED:		APVD	12MAR01		MCX RIGHT ANGLE CABLE PLUG CRIMP/SOLDER		
0 PLC ± - 1 PLC ± - 2 PLC ± .13 3 PLC ± - 4 PLC ± - ANGLES ± 1°		PRODUCT SPEC			SIZE	CAGE CODE	DRAWING NO
MATERIAL	FINISH	APPLICATION SPEC	408-8328	A2	00779	C=1330723	
		WEIGHT	-	CUSTOMER DRAWING		RESTRICTED TO	
		CUSTOMER DRAWING		SCALE	20:1	SHEET 1 of 1	
				REV	E		