



Chipsmall Limited consists of a professional team with an average of over 10 year of expertise in the distribution of electronic components. Based in Hongkong, we have already established firm and mutual-benefit business relationships with customers from,Europe,America and south Asia,supplying obsolete and hard-to-find components to meet their specific needs.

With the principle of “Quality Parts,Customers Priority,Honest Operation,and Considerate Service”,our business mainly focus on the distribution of electronic components. Line cards we deal with include Microchip,ALPS,ROHM,Xilinx,Pulse,ON,Everlight and Freescale. Main products comprise IC,Modules,Potentiometer,IC Socket,Relay,Connector.Our parts cover such applications as commercial,industrial, and automotives areas.

We are looking forward to setting up business relationship with you and hope to provide you with the best service and solution. Let us make a better world for our industry!



## Contact us

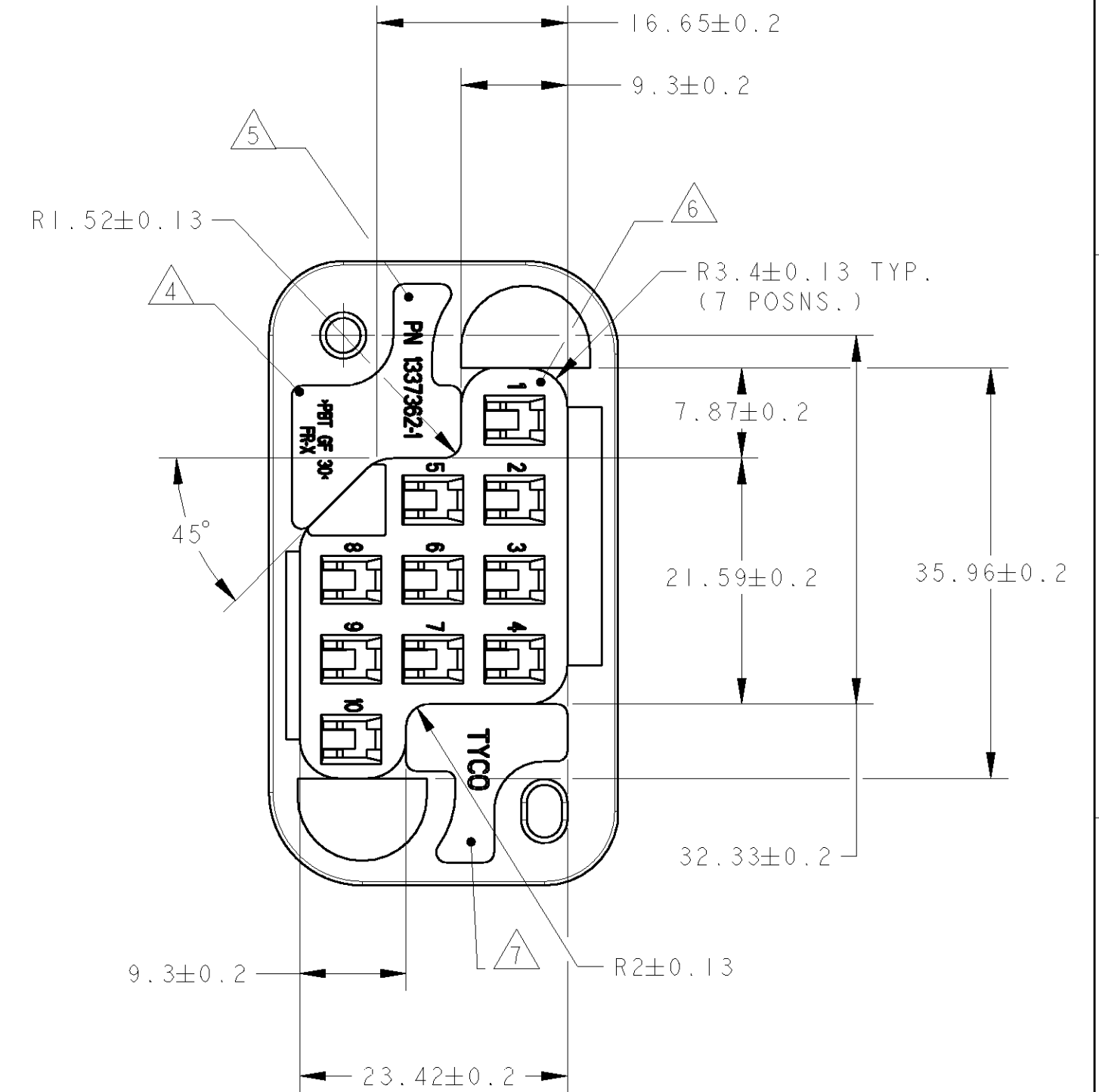
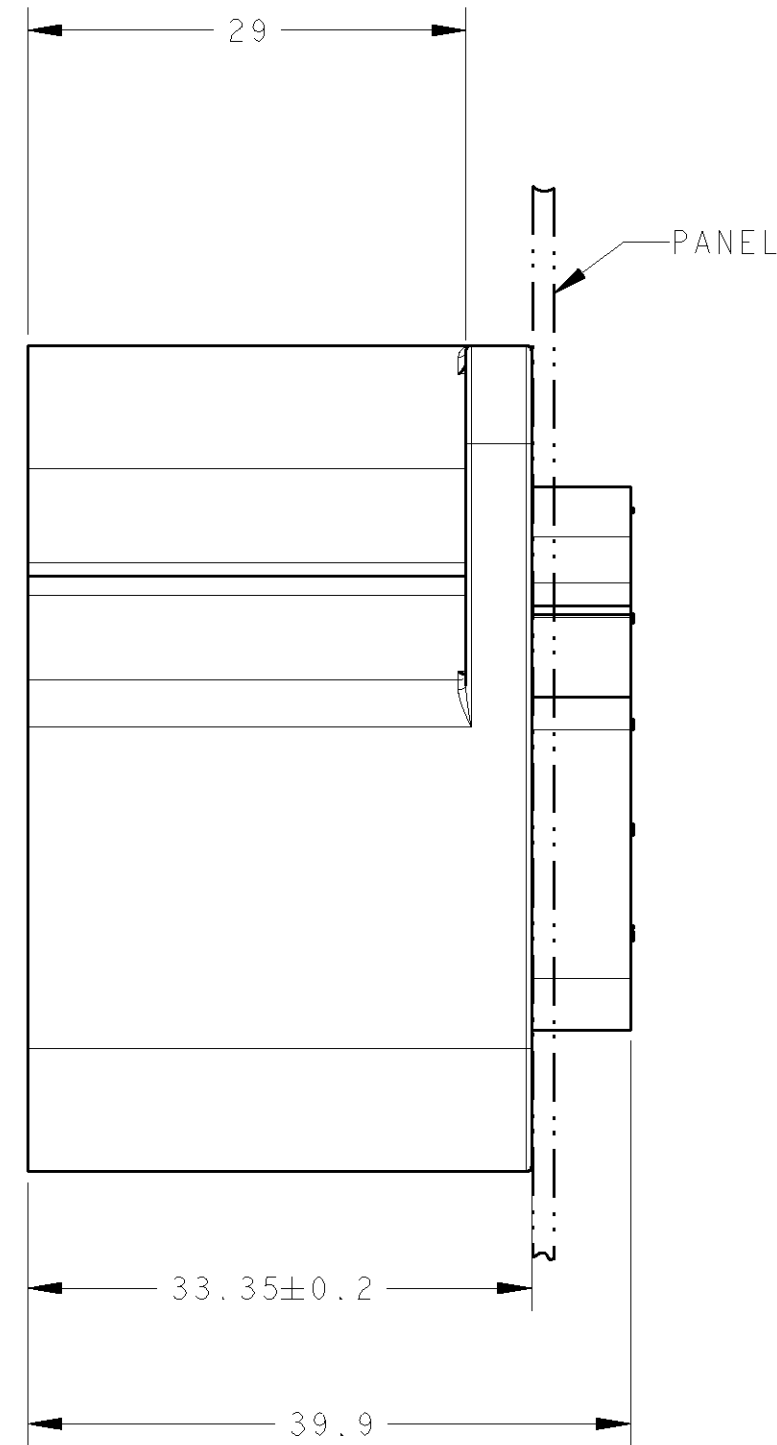
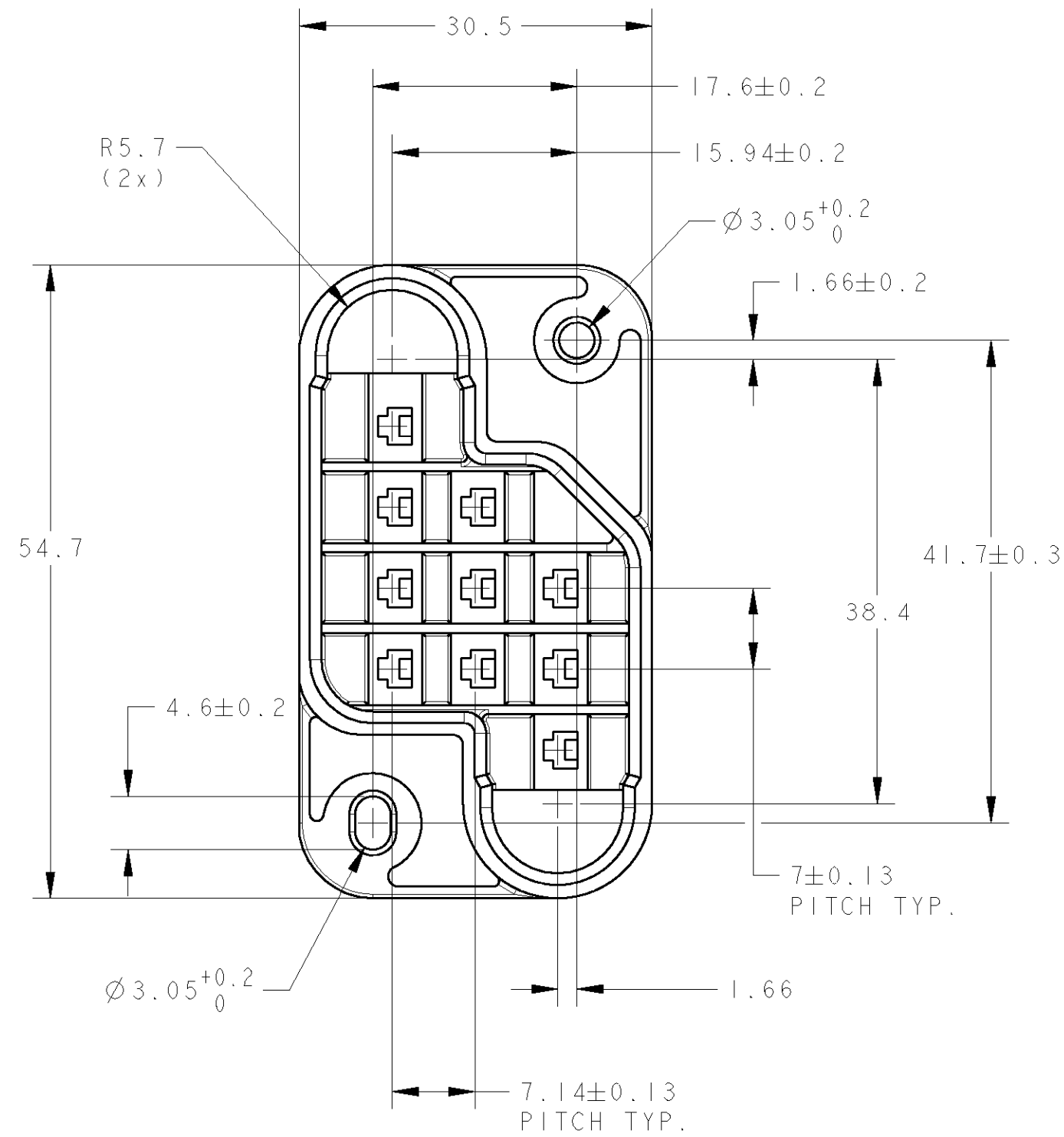
Tel: +86-755-8981 8866 Fax: +86-755-8427 6832

Email & Skype: info@chipsmall.com Web: www.chipsmall.com

Address: A1208, Overseas Decoration Building, #122 Zhenhua RD., Futian, Shenzhen, China



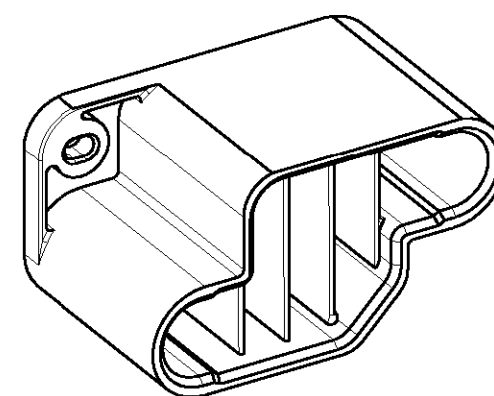
| LOC | DIST | REVISIONS |              |         |      |
|-----|------|-----------|--------------|---------|------|
|     |      | LTR       | DESCRIPTION  | DATE    | APVD |
| H   | -    | BI        | EHC0-0124-04 | 26APR04 | PJ   |
|     |      | B         | EH01-0101-04 | 22JAN04 | PJ   |
|     |      | A         | EH00-1340-01 | 29NOV01 | PB   |



NOTES:

- THIS TAB HOUSING MATES WITH RECEPTACLE HOUSING PART NUMBER 1337363-1.
- THIS HOUSING ACCEPTS STANDARD HYBRID MINI DRAWER CONNECTOR TAB CONTACTS - 4 X PN 179321-2 (POWER) AND 5 X PN 179322-2 (SIGNAL) AND 1 X PN 179321-2 (EARTH) IN CAVITY 10.

- ③ MATERIAL: 30% GLASS FILLED POLYESTER, VO RATED, COLOUR BLACK.
- ④ RAISED MATERIAL IDENTIFIER.
- ⑤ RAISED AMP PART NUMBER.
- ⑥ RAISED CIRCUIT CAVITY IDENTIFICATION NUMBERS.
- ⑦ RAISED AMP LOGO.



SCALE 1:1

|          |            |
|----------|------------|
| NOTE 3   | 1337362-1  |
| MATERIAL | PARTNUMBER |

|   |  |   |  |   |  |
|---|--|---|--|---|--|
| THIS DRAWING IS A CONTROLLED DOCUMENT FOR Tyco Electronics Nederland B.V. IT IS SUBJECT TO CHANGE AND THE CONTROLLING ENGINEERING ORGANIZATION SHOULD BE CONTACTED FOR THE LATEST REVISION. |  | DWN M. HUGHES<br>CHK F.W-KING<br>APVD F.W-KING  |  | <b>AMP</b> Tyco Electronics Nederland B.V.<br>'s-HERTOGENBOSCH, THE NETHERLANDS |  |
| DIMENSIONS: mm<br>  |  | TOLERANCES UNLESS OTHERWISE SPECIFIED:<br>0 PLC ± -<br>1 PLC ± ±05<br>2 PLC ± -<br>3 PLC ± -<br>4 PLC ± -<br>ANGLES ± .2°<br>FINISH |  | NAME<br>10 POSITION TAB HOUSING<br>(DRAWER SIDE) DRAWER CONNECTOR               |  |
| MATERIAL ③  |  | WEIGHT -  |  | SIZE A2 CAGE CODE 00779 DRAWING NO 1337362                                      |  |
| <b>CUSTOMER DRAWING</b>   |  |   |  | SCALE 2:1 SHEET 1 OF 1 REV BI   |  |