



Chipsmall Limited consists of a professional team with an average of over 10 year of expertise in the distribution of electronic components. Based in Hongkong, we have already established firm and mutual-benefit business relationships with customers from,Europe,America and south Asia,supplying obsolete and hard-to-find components to meet their specific needs.

With the principle of “Quality Parts,Customers Priority,Honest Operation,and Considerate Service”,our business mainly focus on the distribution of electronic components. Line cards we deal with include Microchip,ALPS,ROHM,Xilinx,Pulse,ON,Everlight and Freescale. Main products comprise IC,Modules,Potentiometer,IC Socket,Relay,Connector.Our parts cover such applications as commercial,industrial, and automotives areas.

We are looking forward to setting up business relationship with you and hope to provide you with the best service and solution. Let us make a better world for our industry!



## Contact us

Tel: +86-755-8981 8866 Fax: +86-755-8427 6832

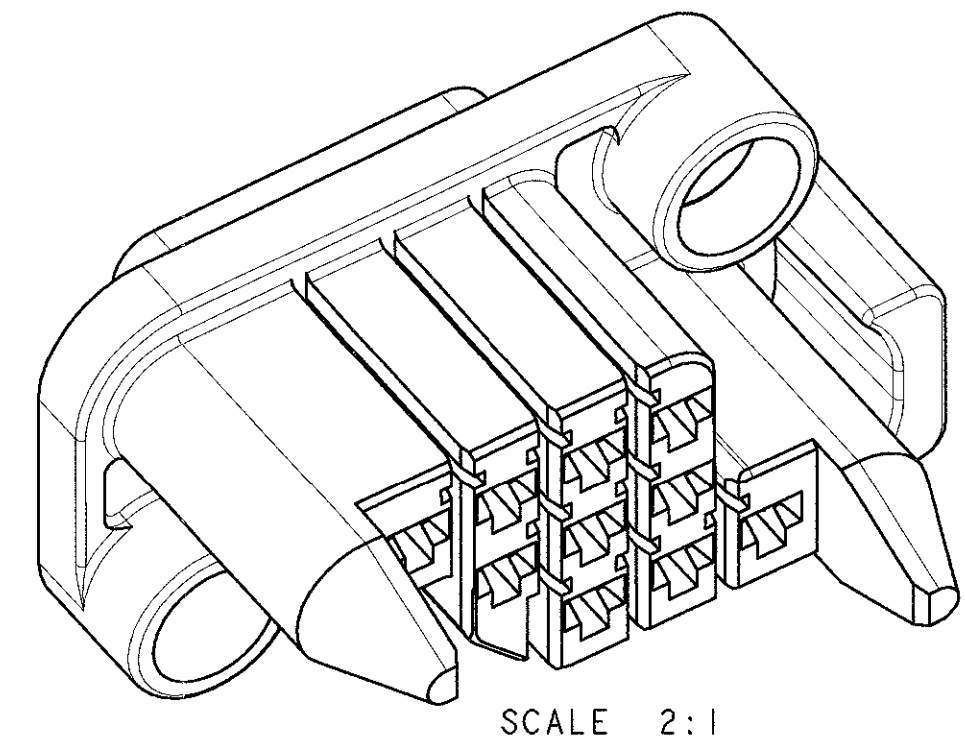
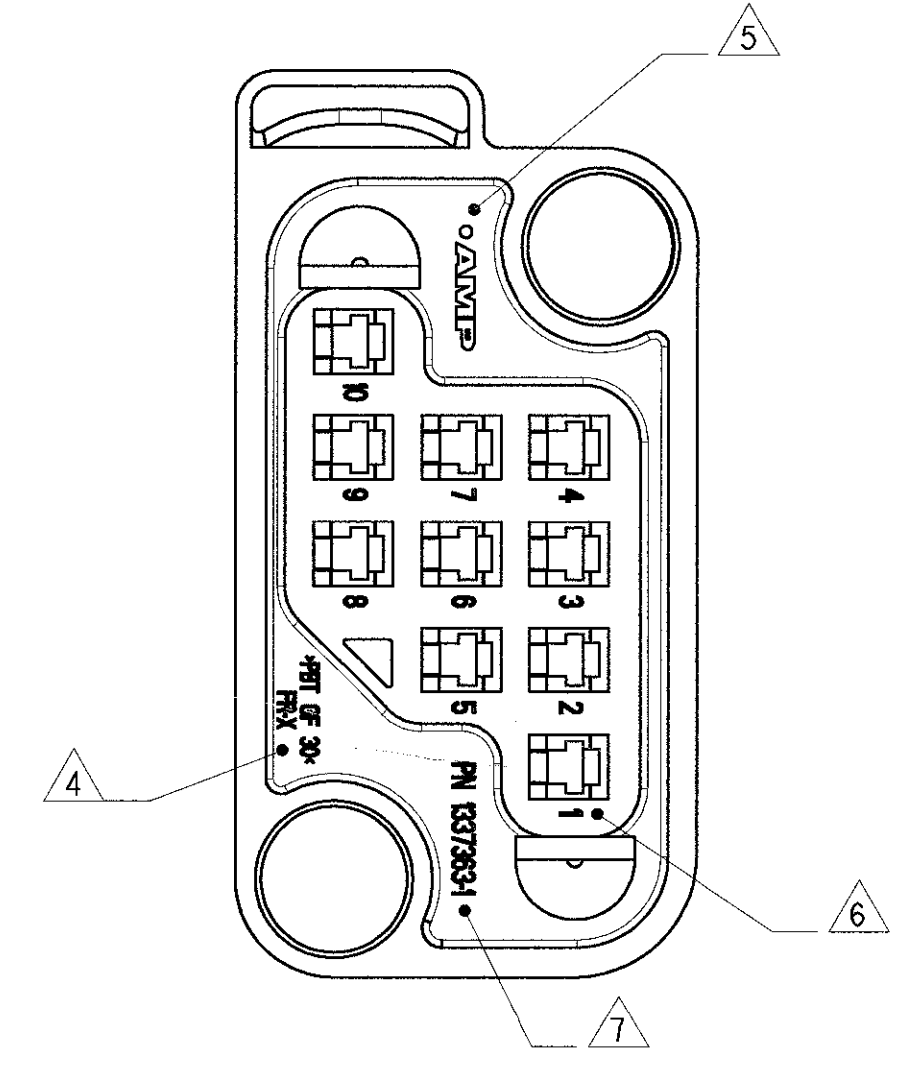
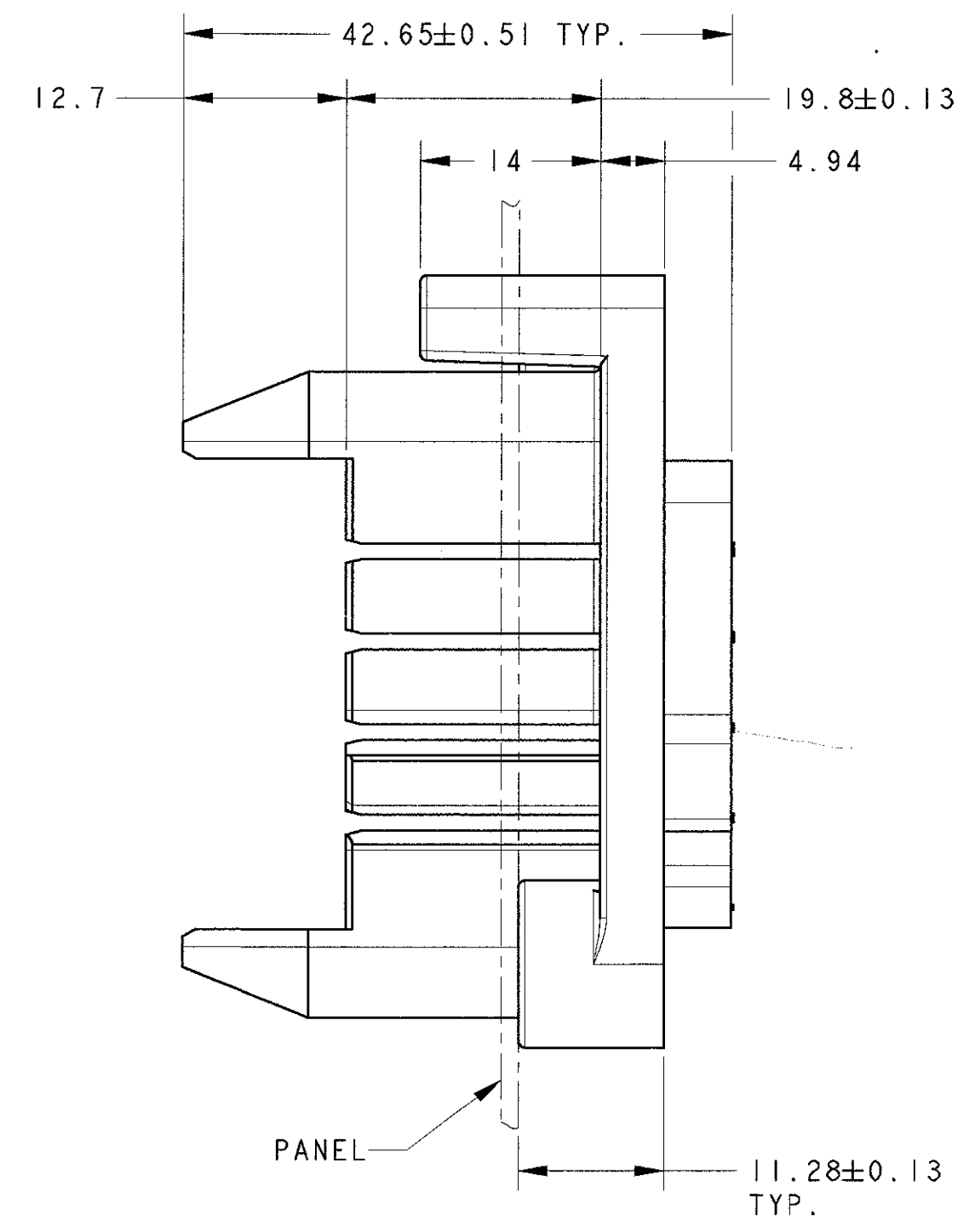
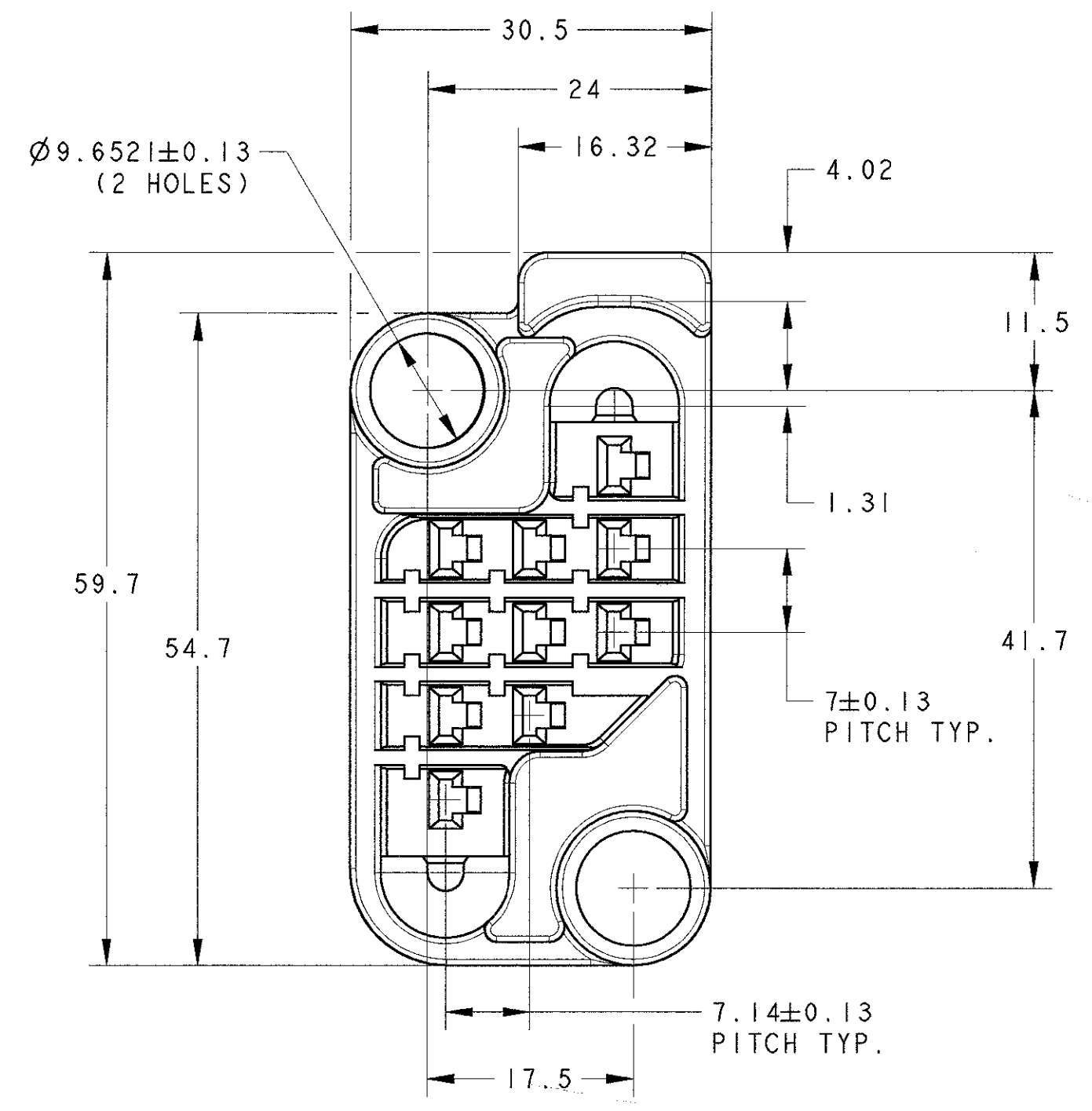
Email & Skype: info@chipsmall.com Web: www.chipsmall.com

Address: A1208, Overseas Decoration Building, #122 Zhenhua RD., Futian, Shenzhen, China



THIS DRAWING IS UNPUBLISHED.  
 RELEASE FOR INFORMATION DATE: -  
 COPYRIGHT - by Tyco Electronics Nederland B.V. ALL RIGHTS RESERVED.

LOC		DIST		REVISIONS			
H		-		LTR	DESCRIPTION	DATE	APVD
				--	--	--	--
				--	--	--	--
				A	EH00-1106-01	05OCT01	PB



NOTES:

- THIS RECEPTACLE HOUSING MATES WITH TAB HOUSING PART NUMBER 1337362-1.
- THIS HOUSING ACCEPTS STANDARD HYBRID MINI DRAWER CONNECTOR RECEPTACLE CONTACTS - 4 X PN 179316-2 (POWER) AND 5 X PN 179317-2 (SIGNAL) AND 1 X PN 316458-2 (EARTH) IN CAVITY 10.
- △ MATERIAL: 30% GLASS FILLED POLYESTER, VO RATED, COLOUR BLACK.
- △ RAISED MATERIAL IDENTIFIER.
- △ RAISED AMP LOGO.
- △ RAISED CIRCUIT CAVITY IDENTIFICATION NUMBERS.
- △ RAISED AMP PART NUMBER.

Item no.	Description	Material	Finish
DWN	M. HUGHES		
CHK	F.W. KING		
APVD	F.W. KING		
PRODUCT SPEC	-		
APPLICATION SPEC	-		
WEIGHT	-		
THIS DRAWING IS A CONTROLLED DOCUMENT FOR Tyco Electronics Nederland B.V. IT IS SUBJECT TO CHANGE AND THE CONTROLLING ENGINEERING ORGANIZATION SHOULD BE CONTACTED FOR THE LATEST REVISION.		<b>AMP</b> Tyco Electronics Nederland B.V. 's-HERTOGENBOSCH, THE NETHERLANDS	
DIMENSIONS: mm 		TOLERANCES UNLESS OTHERWISE SPECIFIED: 0 PLC ± . 1 PLC ± . 2 PLC ± . 3 PLC ± . 4 PLC ± . ANGLES ± .2° FINISH	
MATERIAL		SIZE	CAGE CODE
		A2	00779
		DRAWING NO	
		C-1337363	
<b>CUSTOMER DRAWING</b>			
SCALE		SHEET 1 OF 1 REV A	
2:1			