



Chipsmall Limited consists of a professional team with an average of over 10 year of expertise in the distribution of electronic components. Based in Hongkong, we have already established firm and mutual-benefit business relationships with customers from,Europe,America and south Asia,supplying obsolete and hard-to-find components to meet their specific needs.

With the principle of “Quality Parts,Customers Priority,Honest Operation,and Considerate Service”,our business mainly focus on the distribution of electronic components. Line cards we deal with include Microchip,ALPS,ROHM,Xilinx,Pulse,ON,Everlight and Freescale. Main products comprise IC,Modules,Potentiometer,IC Socket,Relay,Connector.Our parts cover such applications as commercial,industrial, and automotives areas.

We are looking forward to setting up business relationship with you and hope to provide you with the best service and solution. Let us make a better world for our industry!



Contact us

Tel: +86-755-8981 8866 Fax: +86-755-8427 6832

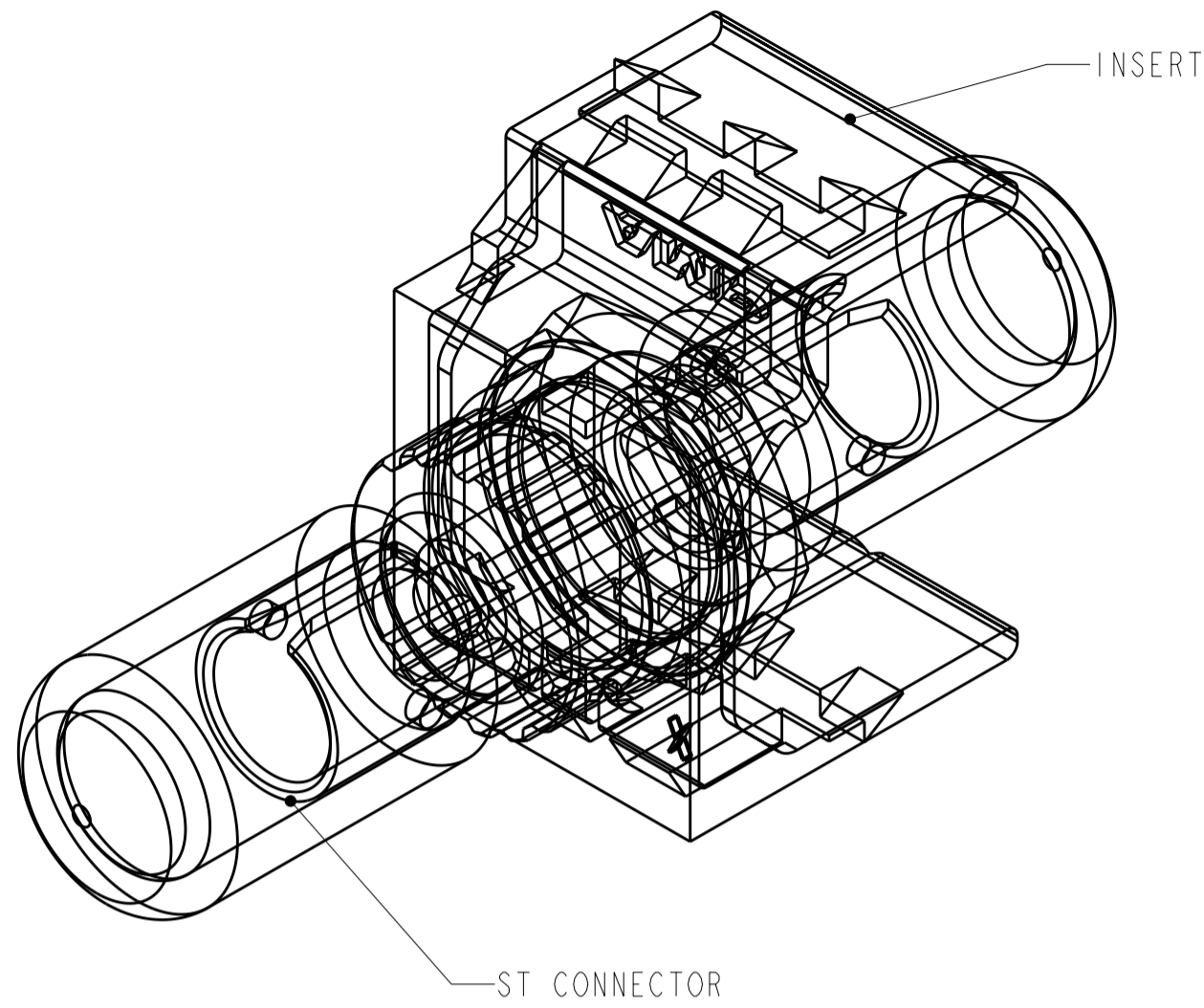
Email & Skype: info@chipsmall.com Web: www.chipsmall.com

Address: A1208, Overseas Decoration Building, #122 Zhenhua RD., Futian, Shenzhen, China

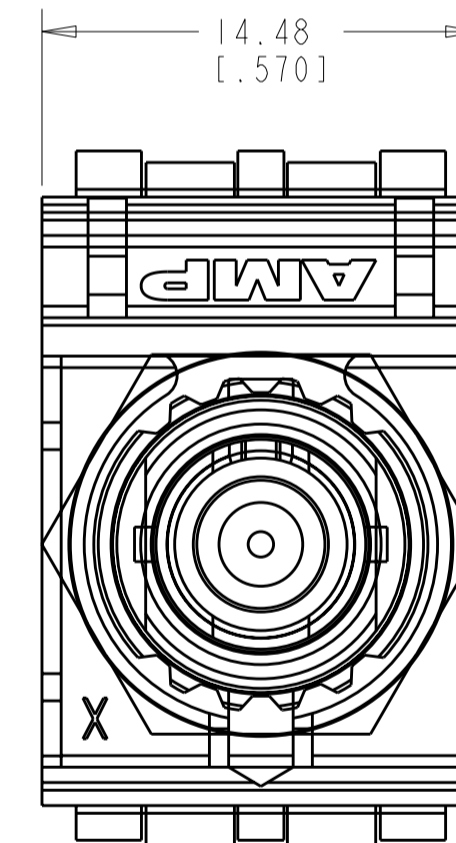
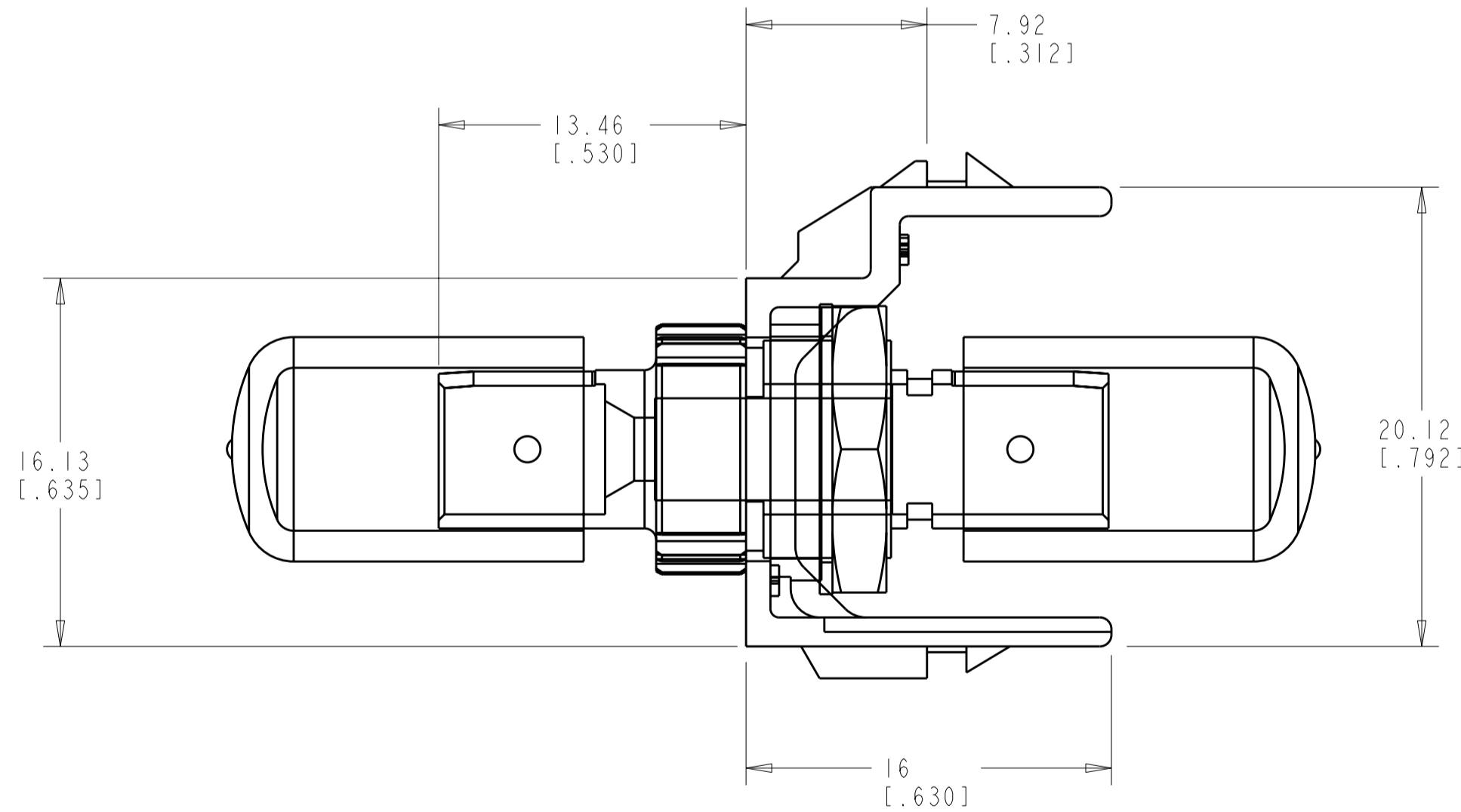


THIS DRAWING IS UNPUBLISHED. RELEASED FOR PUBLICATION
 © COPYRIGHT 20 BY - ALL RIGHTS RESERVED.

LOC	DIST	REVISIONS					
HM	00	P	LTR	DESCRIPTION	DATE	DWN	APVD
		A		REV; EC 0B40-0083-01	18MAY01	LH	GB
		B		ADD 1-3, REV ECO-11-017119	23AUG2011	LH	RA



△ MATERIAL:
 INSERT: POLYCARBONATE MOLDING COMPOUND.
 SEE TABLE FOR COLOR.
 CONNECTOR: NICKEL PLATED ZINC.



ALPINE WHITE	1-1339123-3
ELEC IVORY	1-1339123-1
NEMA GRAY	1339123-4
WHITE	1339123-3
BLACK	1339123-2
LT ALMOND	1339123-1
COLOR	PART NO

THIS DRAWING IS A CONTROLLED DOCUMENT.		DWN T. PITTS 15SEP99	TE Connectivity	
DIMENSIONS: mm (INCHES)		CHK R. MARTIN 19NOV99		
TOLERANCES UNLESS OTHERWISE SPECIFIED:		APVD R. MARTIN 09DEC99	NAME KIT, ST CONNECTOR, INSERT - SL SERIES	
0 PLC ±-	1 PLC ±-	PRODUCT SPEC	SIZE	CAGE CODE
2 PLC ±.13 [.005]	3 PLC ±-	APPLICATION SPEC	A2	00779
4 PLC ±-	ANGLES ±-	WEIGHT	DRAWING NO	RESTRICTED TO
MATERIAL	FINISH	CUSTOMER DRAWING	SCALE 4:	SHEET OF REV B