



Chipsmall Limited consists of a professional team with an average of over 10 year of expertise in the distribution of electronic components. Based in Hongkong, we have already established firm and mutual-benefit business relationships with customers from,Europe,America and south Asia,supplying obsolete and hard-to-find components to meet their specific needs.

With the principle of “Quality Parts,Customers Priority,Honest Operation,and Considerate Service”,our business mainly focus on the distribution of electronic components. Line cards we deal with include Microchip,ALPS,ROHM,Xilinx,Pulse,ON,Everlight and Freescale. Main products comprise IC,Modules,Potentiometer,IC Socket,Relay,Connector.Our parts cover such applications as commercial,industrial, and automotives areas.

We are looking forward to setting up business relationship with you and hope to provide you with the best service and solution. Let us make a better world for our industry!



## Contact us

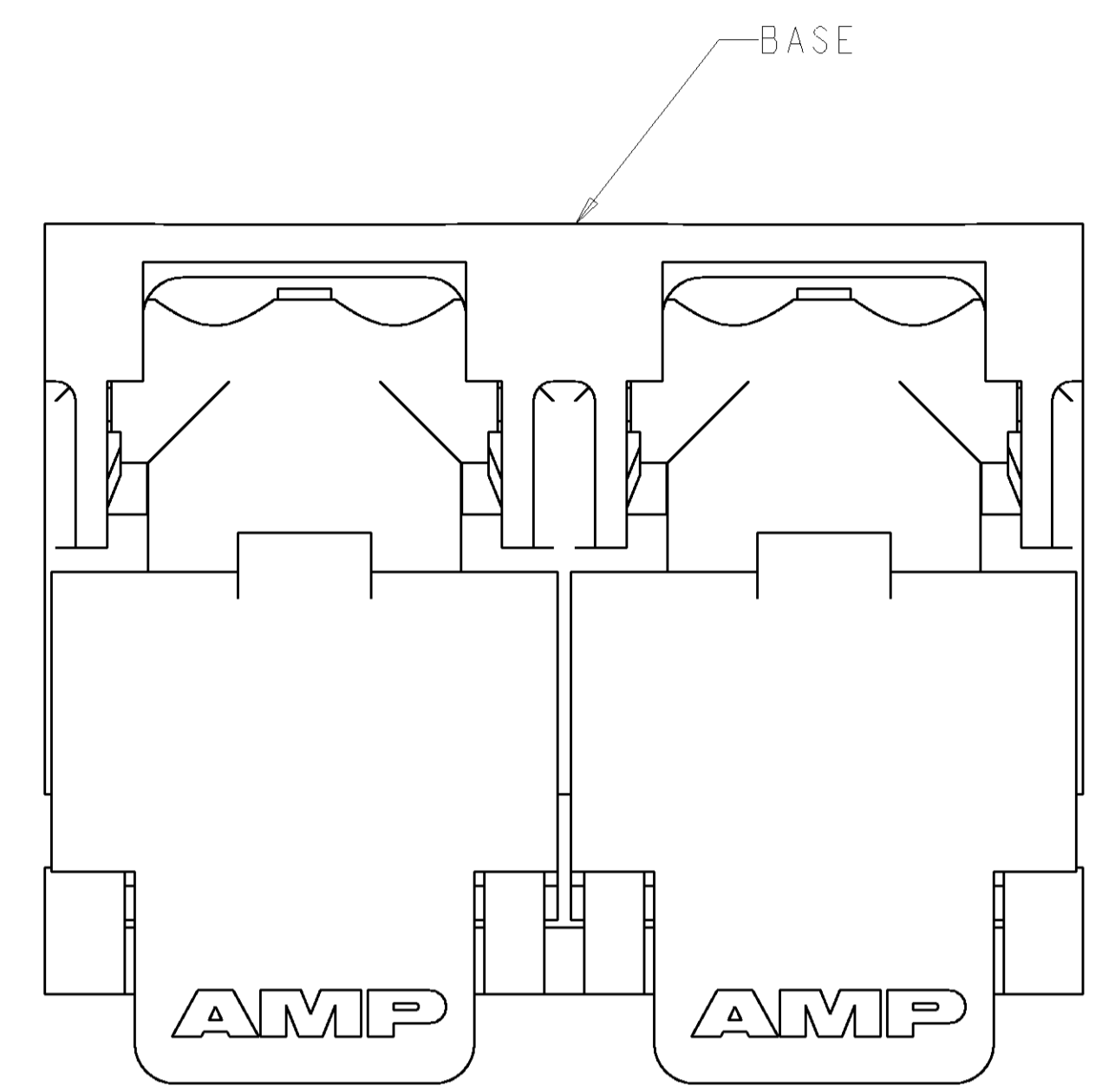
Tel: +86-755-8981 8866 Fax: +86-755-8427 6832

Email & Skype: info@chipsmall.com Web: www.chipsmall.com

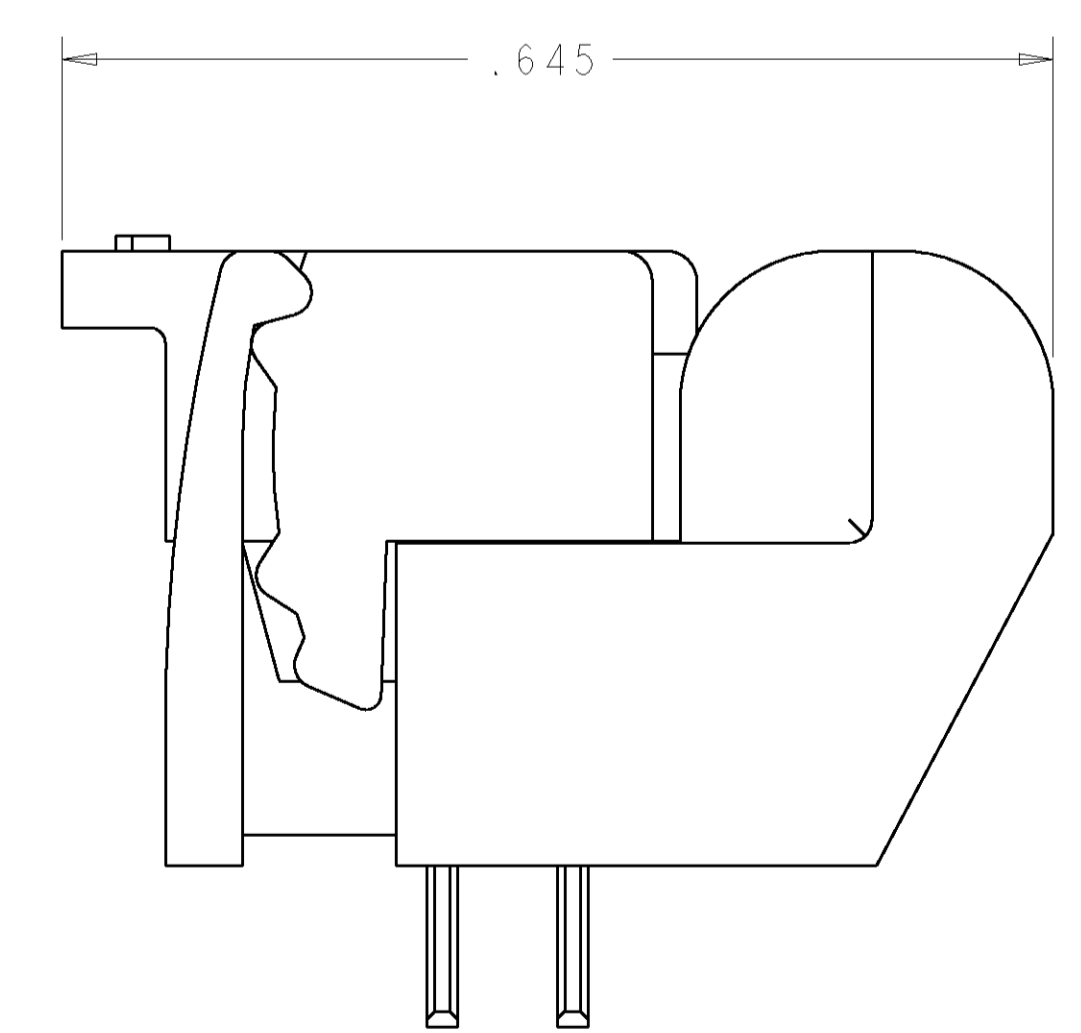
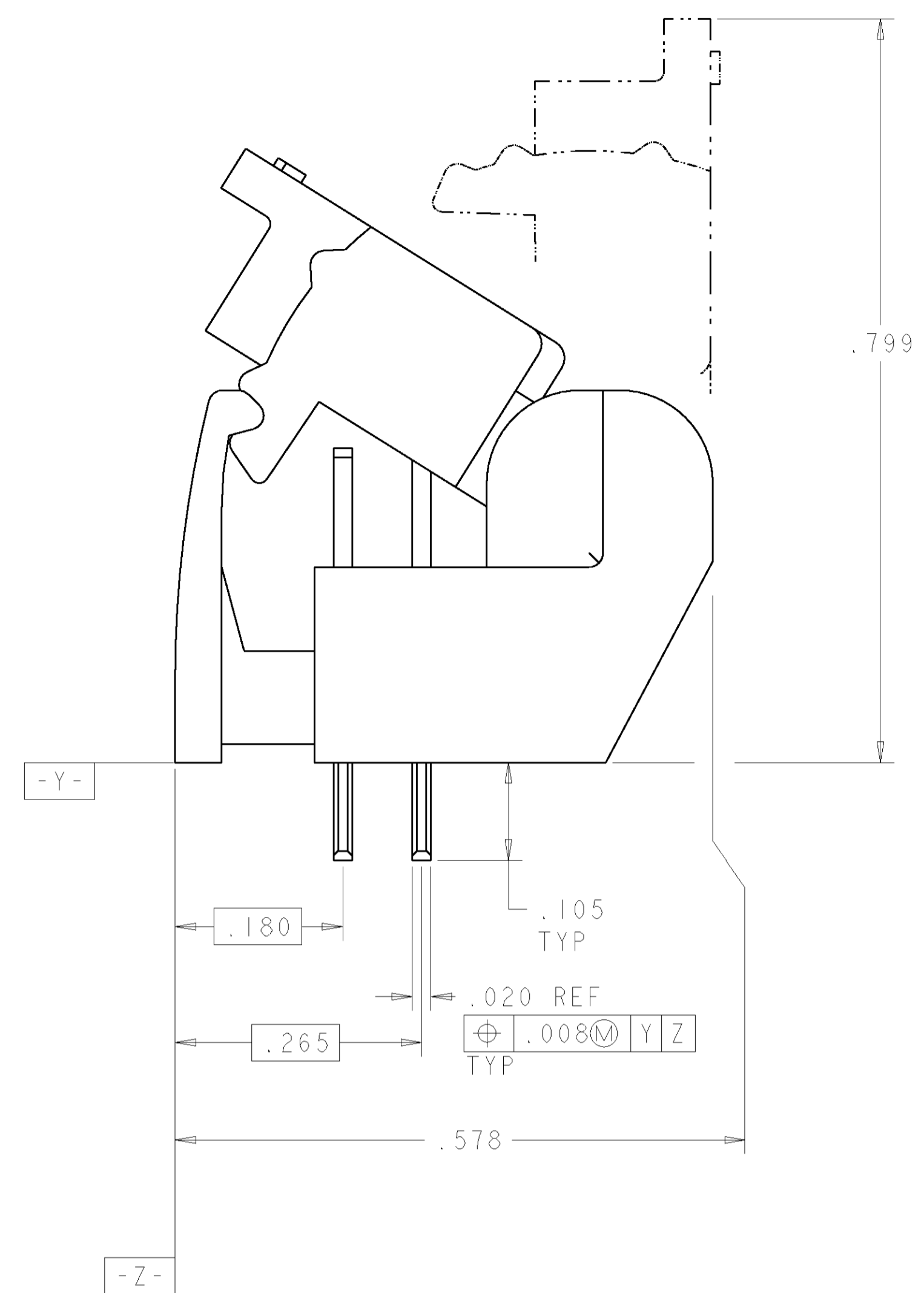
Address: A1208, Overseas Decoration Building, #122 Zhenhua RD., Futian, Shenzhen, China



LOC	DIST	REVISIONS					
GP	0	F	LTN	DESCRIPTION	DATE	DWN	APPD
		B		REV: EC OUI C-0007-01	22JAN01	JA	TW
		C		REVISED PER EC 0S15-0450-02	21JAN2003	DLD	RPM
		D		REVISED PER EC 0S15-0324-03	05DEC03	JB	CF

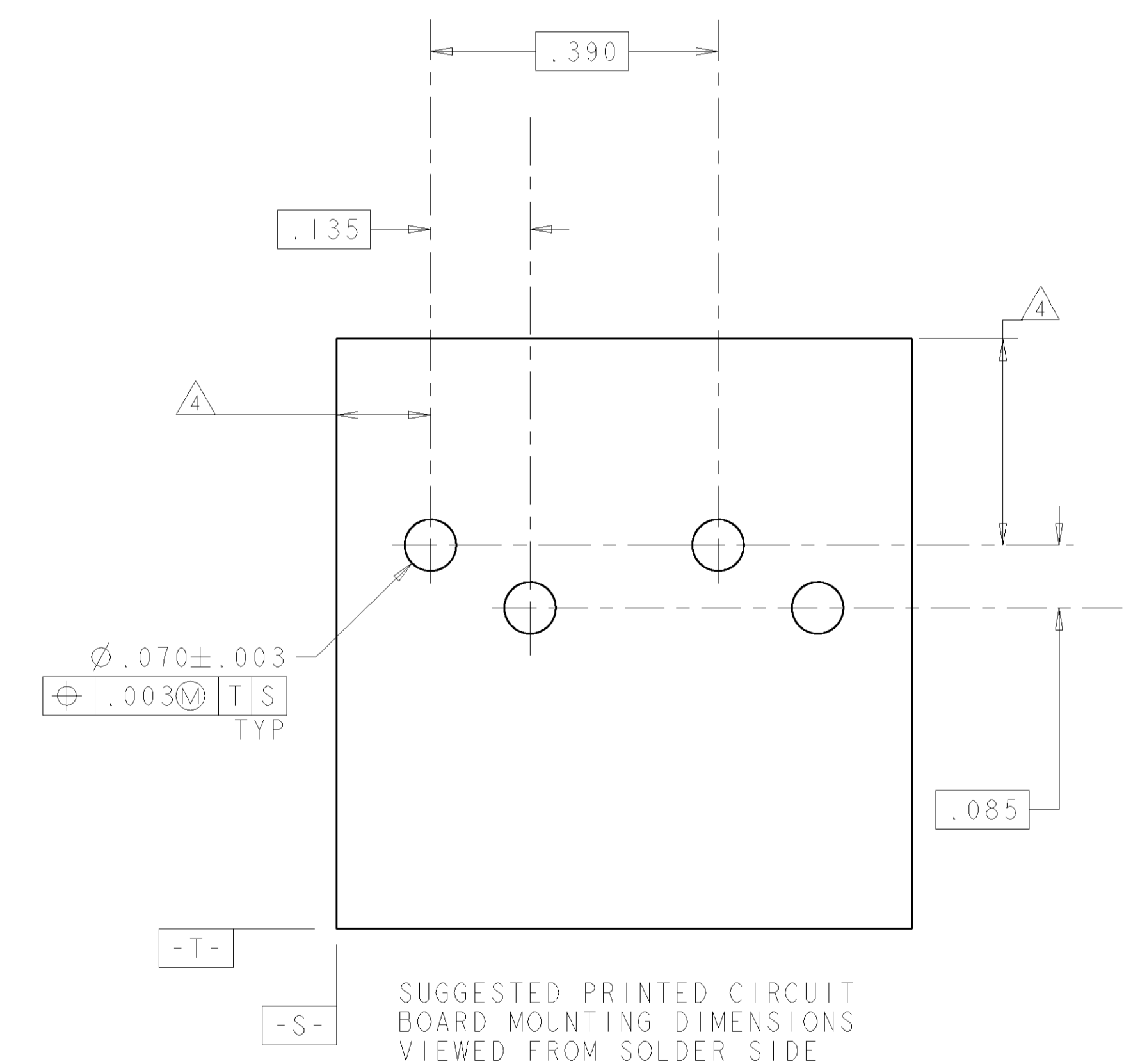
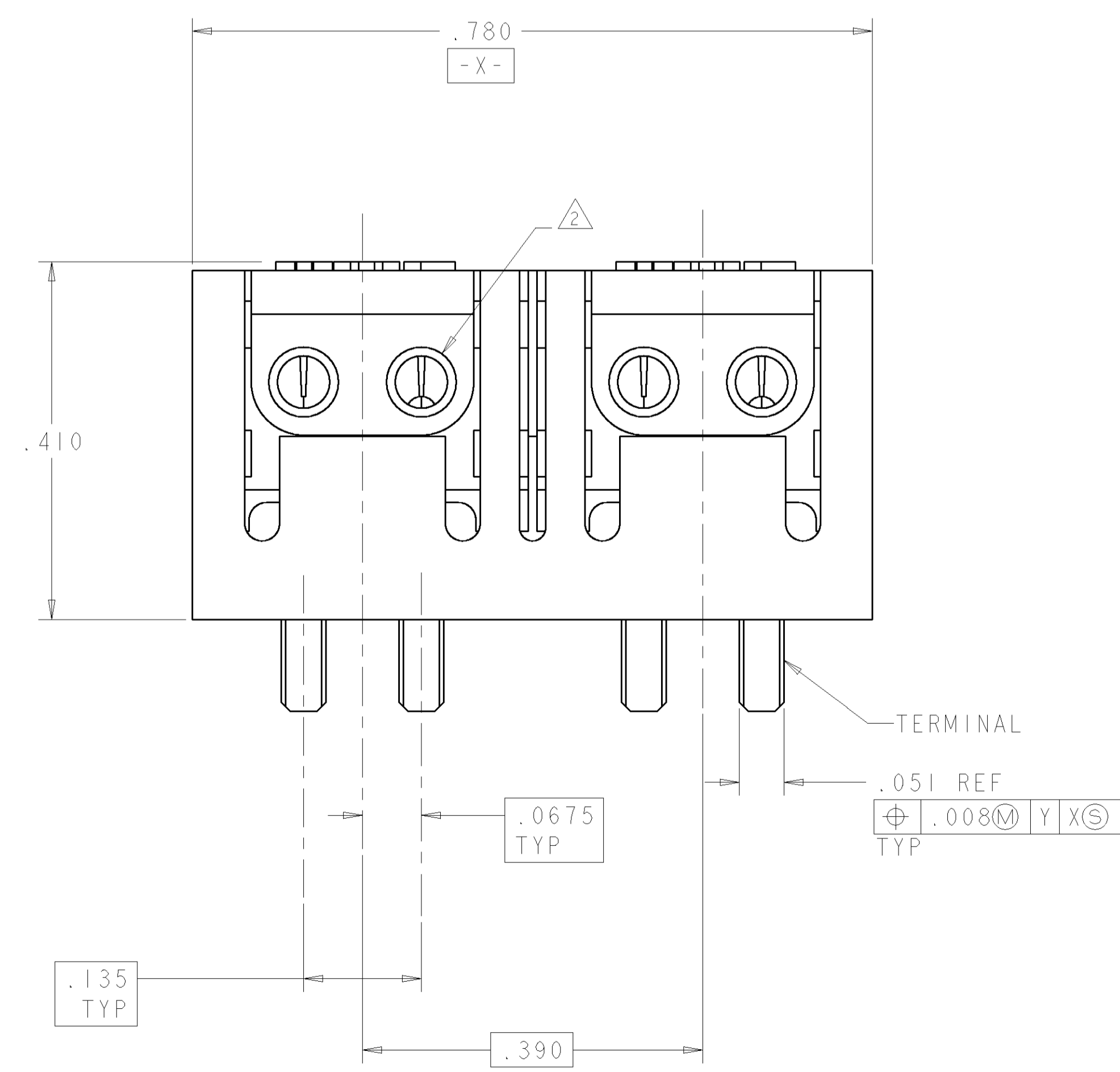


WIRE STUFFER



CLOSED POSITION

- 1 MATERIAL: BASE - POLYESTER MOLDING COMPOUND, BLACK.  
 WIRE STUFFER: - POLYESTER MOLDING COMPOUND, RED.  
 TERMINAL - COPPER ALLOY, PLATED WITH 3.81µm MINIMUM THICK TIN OVER 1.27µm MINIMUM THICK NICKEL UNDERPLATE.
- 2 EACH WIRE ENTRY HOLE ACCEPTS ONE UNSTRIPPED SOLID COPPER 22-26 AWG WIRE WITH WIRE INSULATION DIAMETER RANGE FROM .060 THROUGH .040. OTHER WIRE SIZES AND TYPES SHALL BE SUBMITTED TO AMP ENGINEERS FOR APPLICATION APPROVAL.
- 3. SOLDER TABS PROVIDED FOR PERMANENT BOARD MOUNTING.
- 4 LOCATION OF HOLE PATTERN DETERMINED BASED ON CUSTOMER REQUIREMENTS.



1339343-1  
 PART NUMBER

<small>THIS DRAWING IS UNPUBLISHED. RELEASED FOR PUBLICATION. ALL RIGHTS RESERVED. ORGANIZATION SHOULD BE CONTACTED FOR THE LATEST REVISION.</small>		DWN: J. AHERON 05SEP00 CDR: - APD: T. WOJCIACKI 05SEP00	<b>AMP</b> AMP Incorporated Harrisburg, PA 17105-3608
DIMENSIONS: INCHES TOLERANCES UNLESS OTHERWISE SPECIFIED: 0 PLC ± 1 PLC ±.01 2 PLC ±.01 3 PLC ±.005 4 PLC ± ANGLES ± FINISH -	PRODUCT SPEC: ASSEMBLY, DOUBLE PAIR, DOUBLE ENTRY, PIVOT II CONNECTOR APPLICATION SPEC: SIZE: A1 CAGE CODE: 00779 DRAWING NO: 1339343	WEIGHT: - CUSTOMER DRAWING	SCALE: 6:1 SHEET: 1 OF 1 REV: D