



Chipsmall Limited consists of a professional team with an average of over 10 year of expertise in the distribution of electronic components. Based in Hongkong, we have already established firm and mutual-benefit business relationships with customers from,Europe,America and south Asia,supplying obsolete and hard-to-find components to meet their specific needs.

With the principle of “Quality Parts,Customers Priority,Honest Operation,and Considerate Service”,our business mainly focus on the distribution of electronic components. Line cards we deal with include Microchip,ALPS,ROHM,Xilinx,Pulse,ON,Everlight and Freescale. Main products comprise IC,Modules,Potentiometer,IC Socket,Relay,Connector.Our parts cover such applications as commercial,industrial, and automotives areas.

We are looking forward to setting up business relationship with you and hope to provide you with the best service and solution. Let us make a better world for our industry!



Contact us

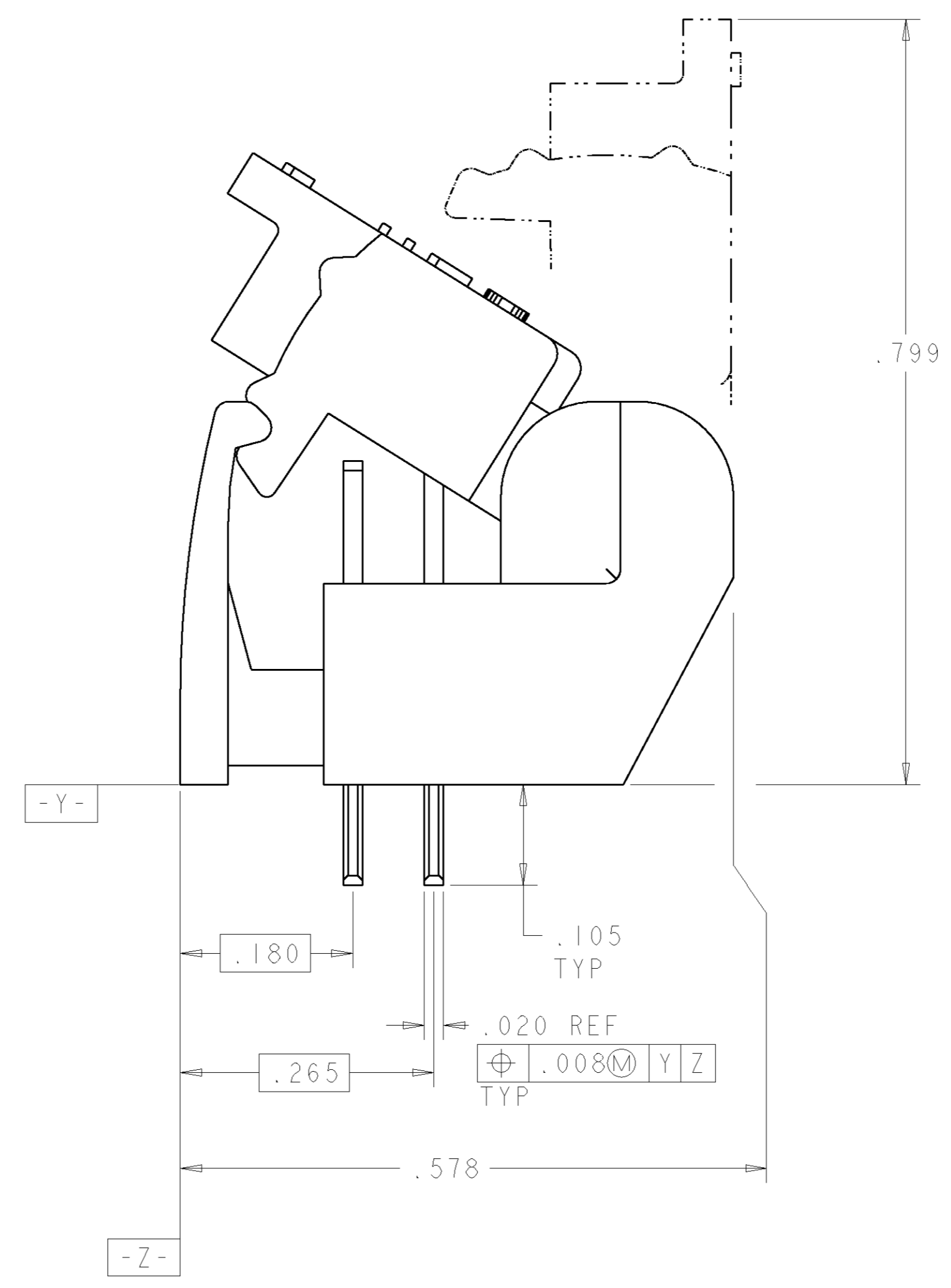
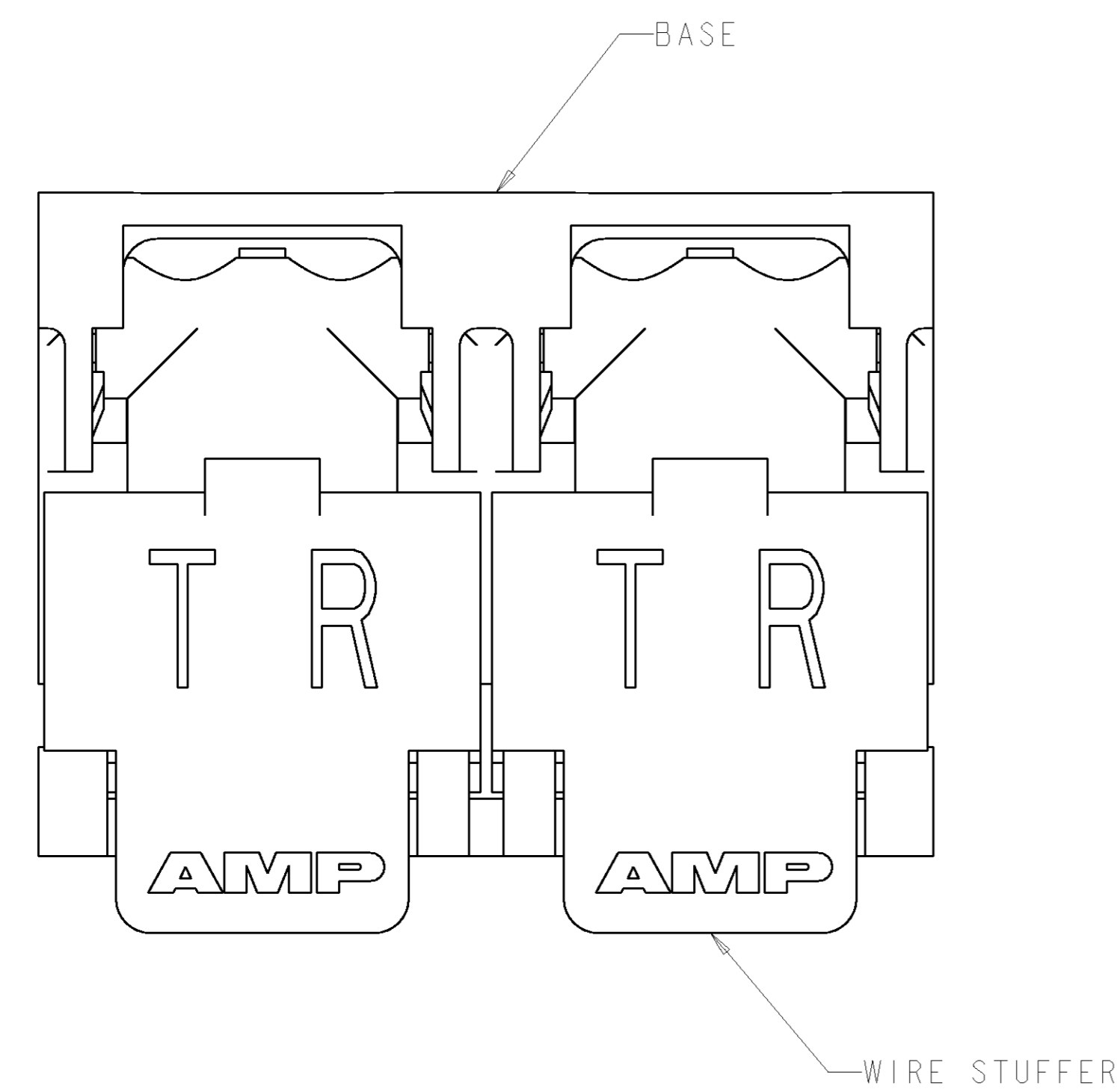
Tel: +86-755-8981 8866 Fax: +86-755-8427 6832

Email & Skype: info@chipsmall.com Web: www.chipsmall.com

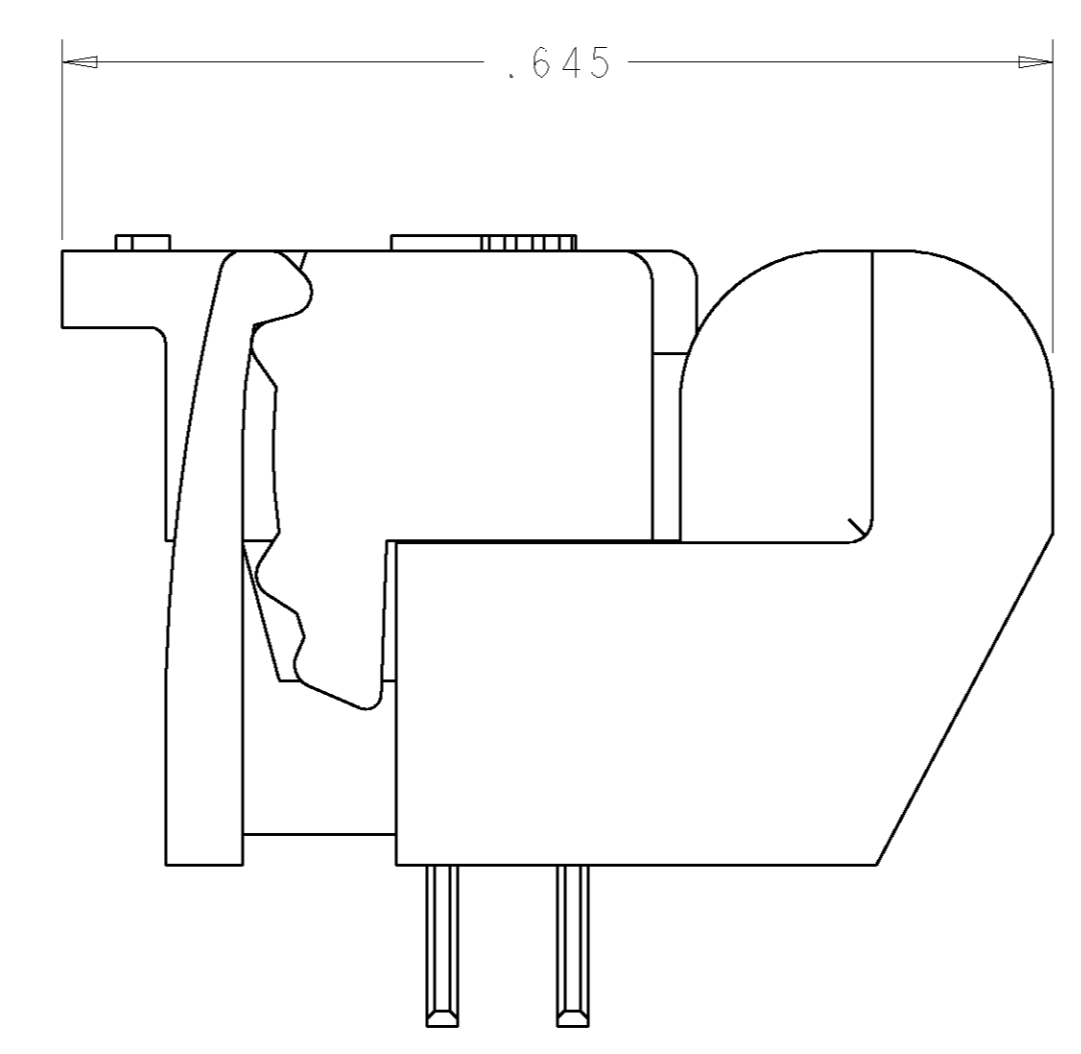
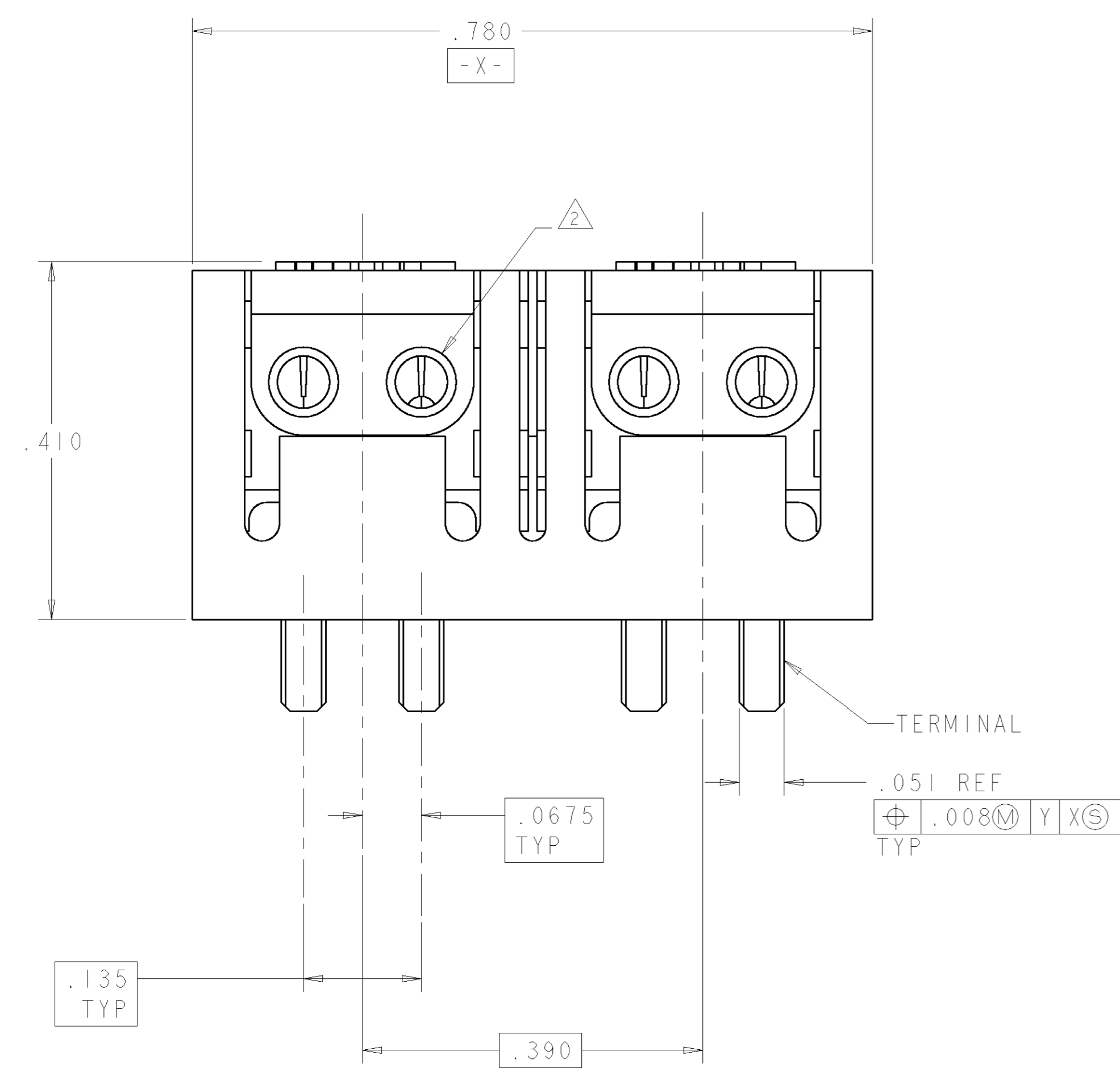
Address: A1208, Overseas Decoration Building, #122 Zhenhua RD., Futian, Shenzhen, China



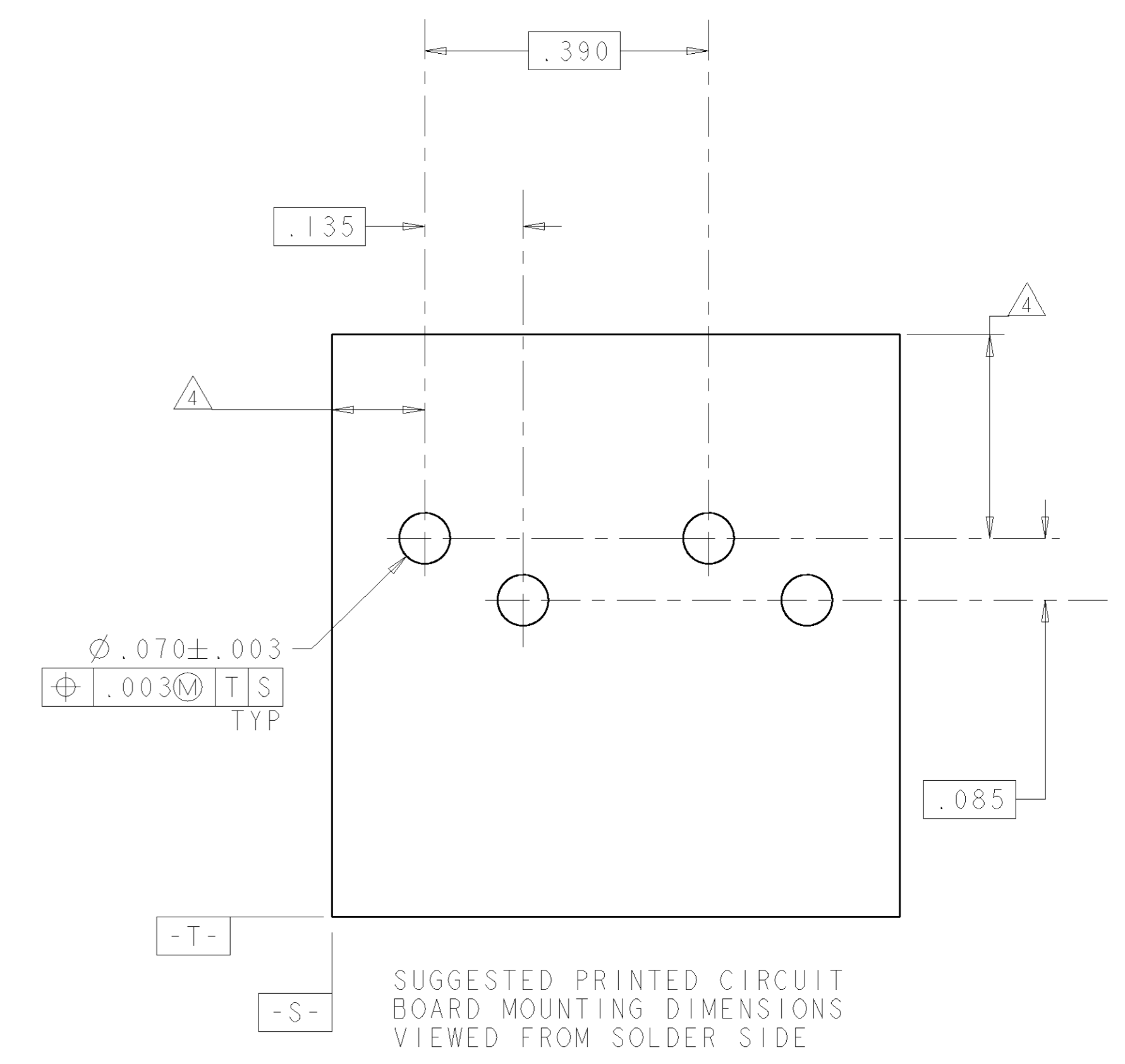
LOC	DIST	REVISIONS					
GP	0	F	LTR	DESCRIPTION	DATE	DWN	APPD
		B		REV: EC OUIE-0007-01	22JAN01	JA	TW
		C		REVISED PER EC OS15-0450-02	21JAN2003	DLD	RPM
		D		REVISED PER EC OS15-0324-03	08DEC2003	JB	CF



- ⚠ MATERIAL: BASE - POLYESTER MOLDING COMPOUND, BLACK.
 WIRE STUFFER: - POLYESTER MOLDING COMPOUND, SEE TABLE FOR COLOR.
 TERMINAL - COPPER ALLOY, PLATED WITH 3.81µm MINIMUM THICK TIN OVER 1.27µm MINIMUM THICK NICKEL UNDERPLATE.
- ⚠ EACH WIRE ENTRY HOLE ACCEPTS ONE UNSTRIPPED SOLID COPPER 22-26 AWG WIRE WITH WIRE INSULATION DIAMETER RANGE FROM .060 THROUGH .040. OTHER WIRE SIZES AND TYPES SHALL BE SUBMITTED TO AMP ENGINEERS FOR APPLICATION APPROVAL.
- 3. SOLDER TABS PROVIDED FOR PERMANENT BOARD MOUNTING.
- ⚠ LOCATION OF HOLE PATTERN DETERMINED BASED ON CUSTOMER REQUIREMENTS.



CLOSED POSITION



SUGGESTED PRINTED CIRCUIT BOARD MOUNTING DIMENSIONS VIEWED FROM SOLDER SIDE

BLACK	1339374-2
CLEAR	1339374-1
STUFFER COLOR	PART NUMBER

<small>THIS DRAWING IS A CONTROLLED DOCUMENT FOR AMP INCORPORATED. ALL CHANGES TO THIS DRAWING AND THE CONTROLLED DRAWING IDENTIFICATION SHOULD BE CONTACTED FOR THE LATEST REVISION.</small>		DWN: J. AHERON 30NOV00 CDR: S. ROBERTSON 30NOV00	NAME: AMP Incorporated Harrisburg, PA 17105-3608
DIMENSIONS: INCHES TOLERANCES UNLESS OTHERWISE SPECIFIED: 0 PLC ±. 1 PLC ±.01 2 PLC ±.01 3 PLC ±.005 4 PLC ±. ANGLES ±.	PRODUCT SPEC: ASSEMBLY, DOUBLE PAIR, DOUBLE ENTRY, PIVOT II CONNECTOR APPLICATION SPEC:	SIZE: A1 CAGE CODE: 00779 DRAWING NO: 1339374	SCALE: 6:1 SHEET: 1 OF 1 REV: D
MATERIAL:		WEIGHT:	CUSTOMER DRAWING