



Chipsmall Limited consists of a professional team with an average of over 10 year of expertise in the distribution of electronic components. Based in Hongkong, we have already established firm and mutual-benefit business relationships with customers from,Europe,America and south Asia,supplying obsolete and hard-to-find components to meet their specific needs.

With the principle of “Quality Parts,Customers Priority,Honest Operation,and Considerate Service”,our business mainly focus on the distribution of electronic components. Line cards we deal with include Microchip,ALPS,ROHM,Xilinx,Pulse,ON,Everlight and Freescale. Main products comprise IC,Modules,Potentiometer,IC Socket,Relay,Connector.Our parts cover such applications as commercial,industrial, and automotives areas.

We are looking forward to setting up business relationship with you and hope to provide you with the best service and solution. Let us make a better world for our industry!



Contact us

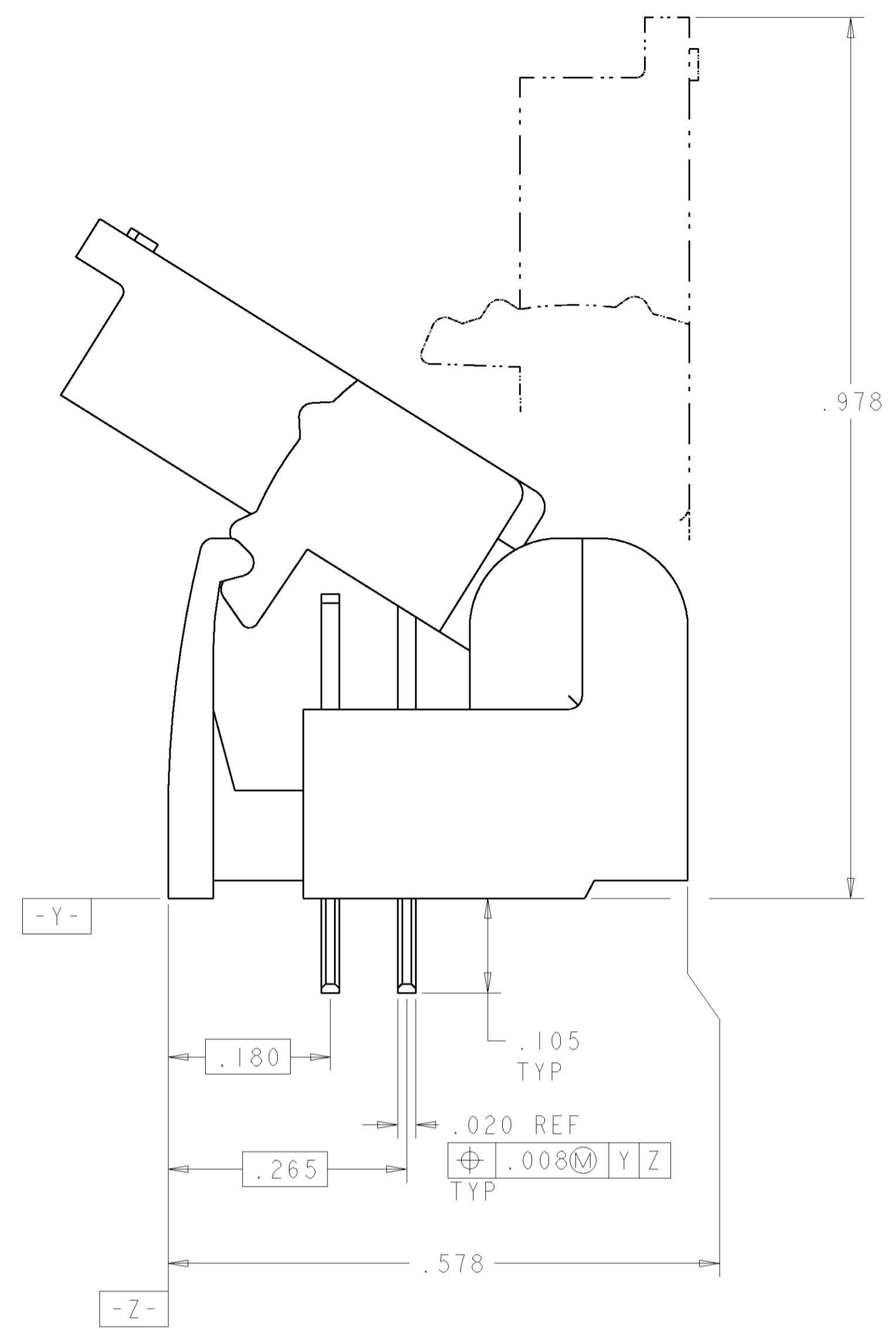
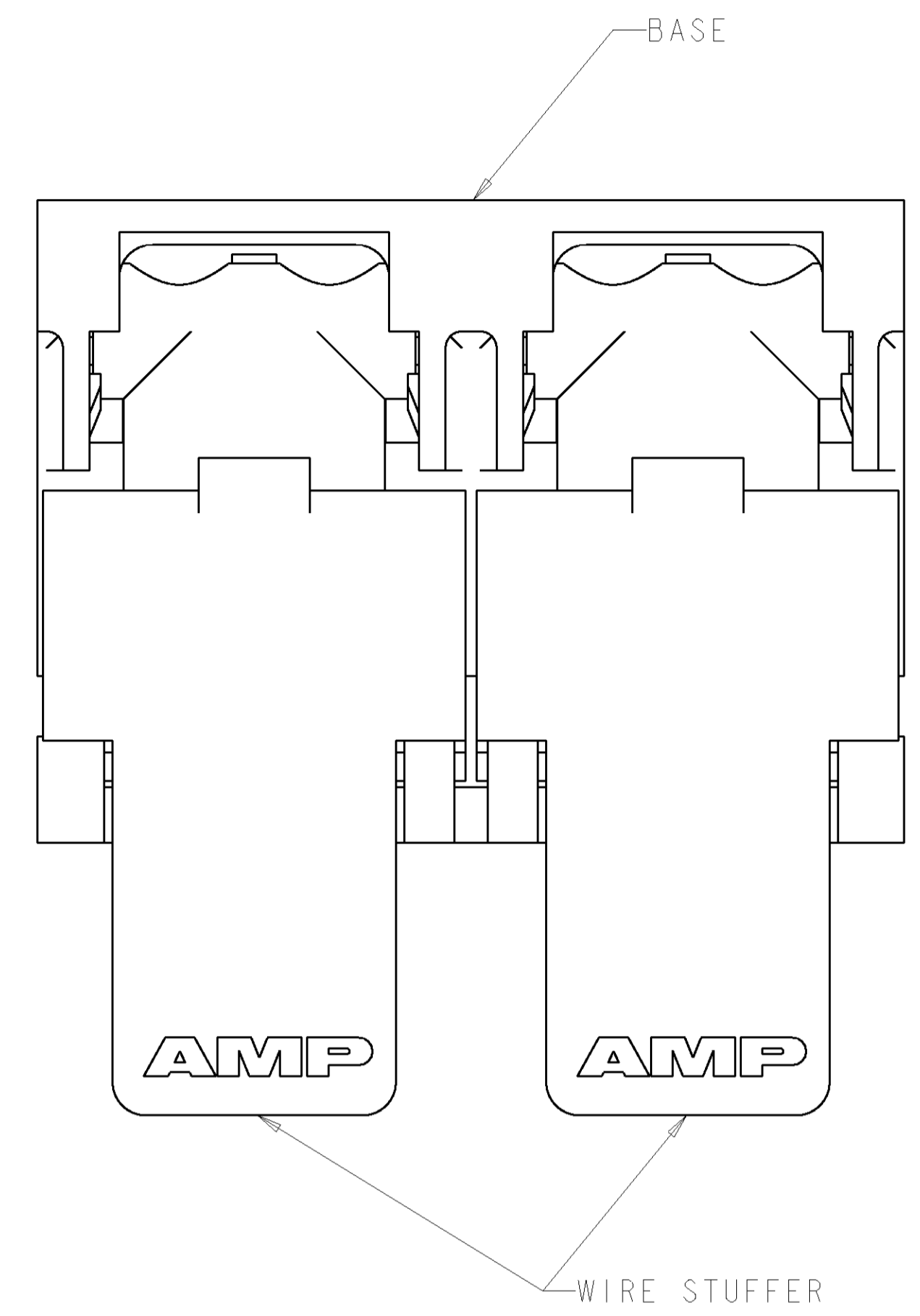
Tel: +86-755-8981 8866 Fax: +86-755-8427 6832

Email & Skype: info@chipsmall.com Web: www.chipsmall.com

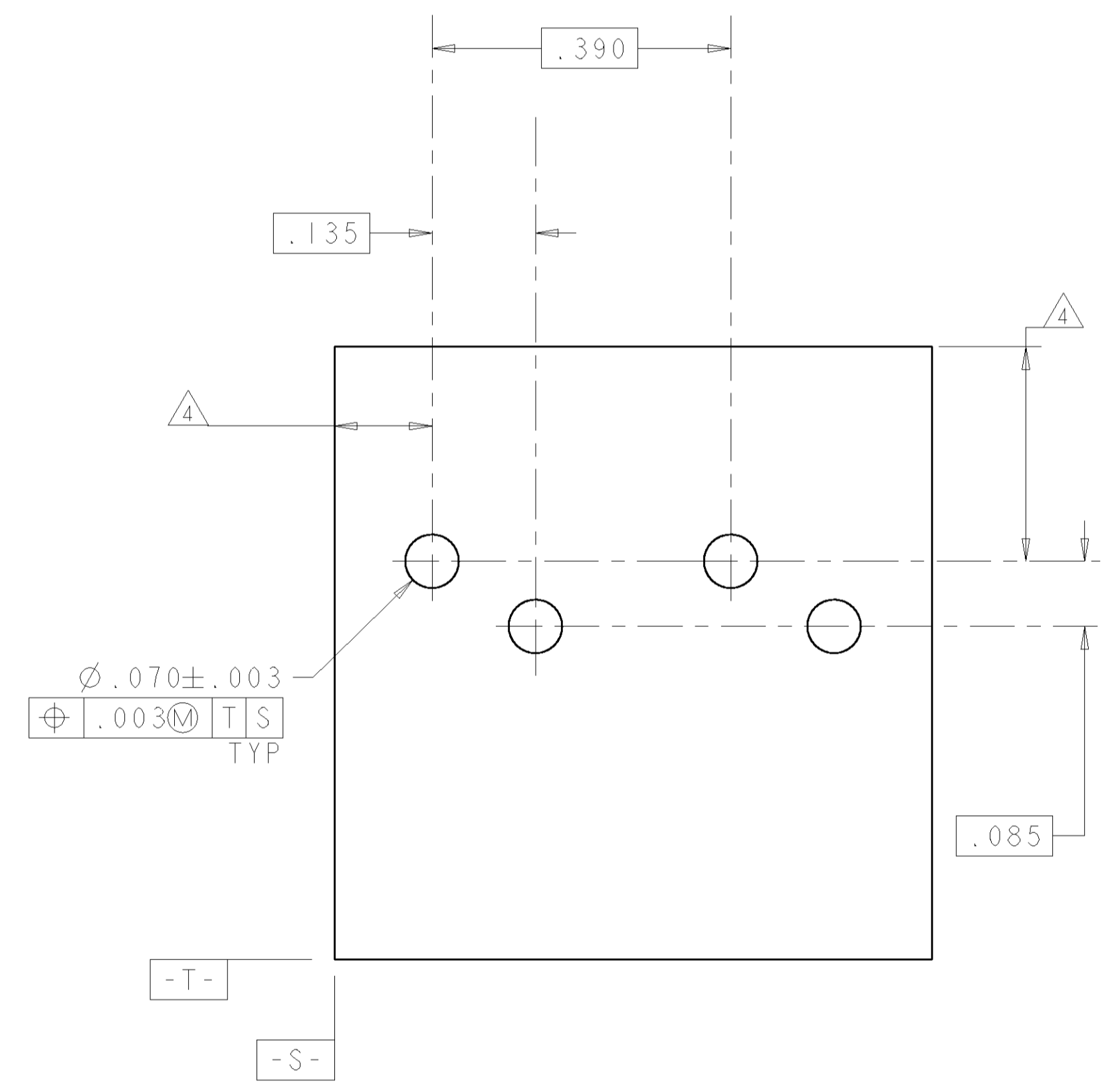
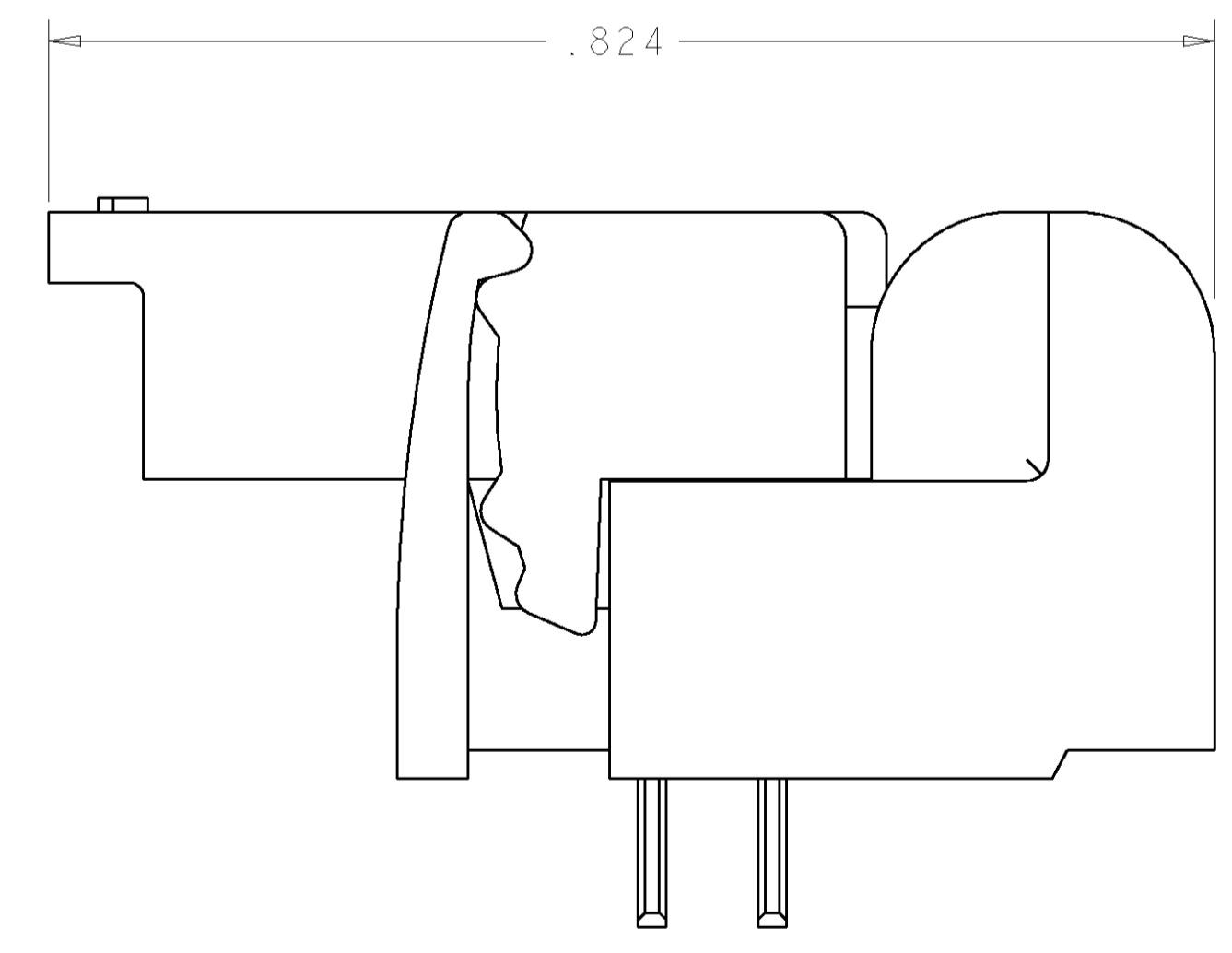
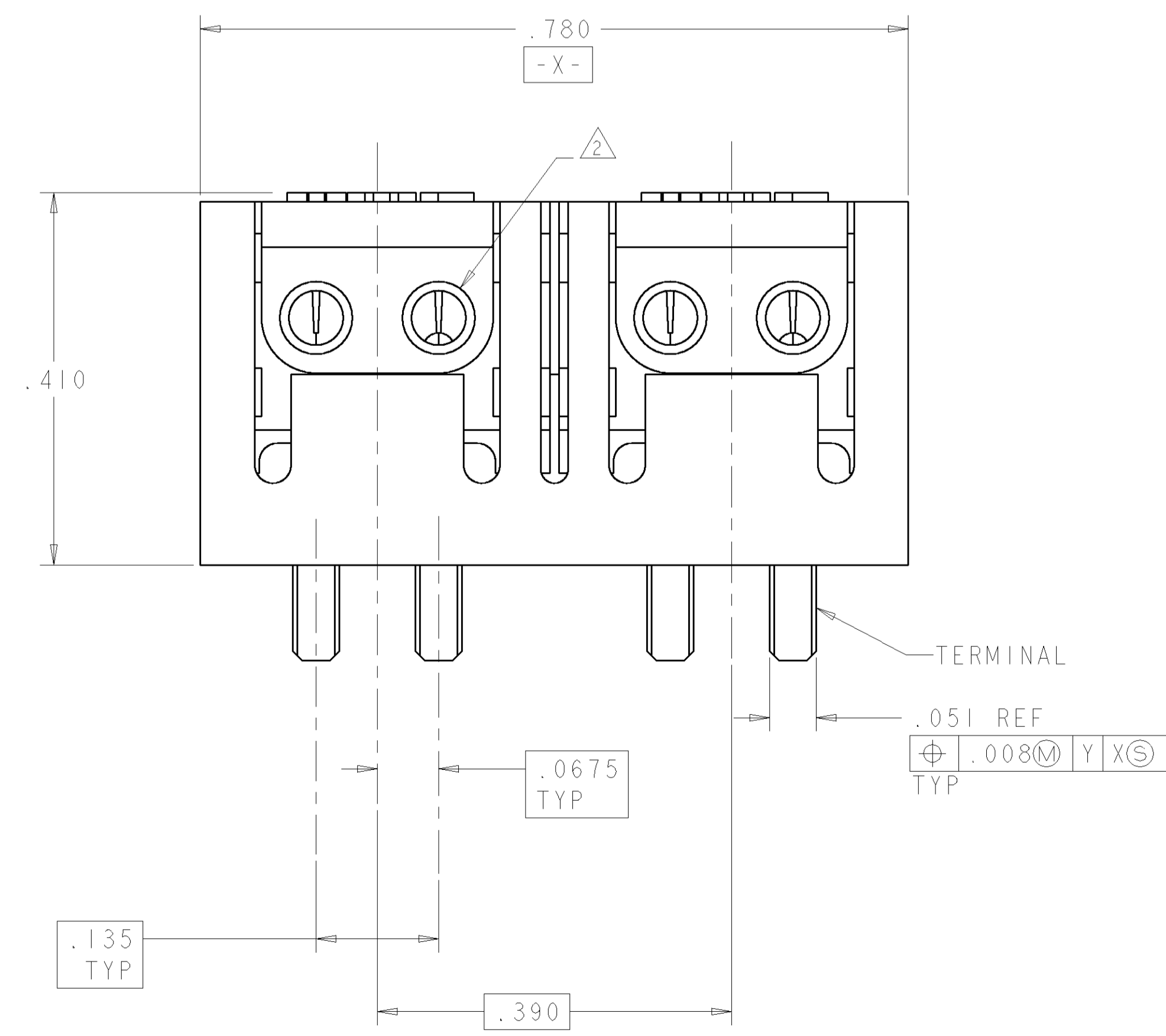
Address: A1208, Overseas Decoration Building, #122 Zhenhua RD., Futian, Shenzhen, China



LOC	DIST	REVISONS				
GP	0	F	LTR	DATE	DWN	APPR
F1				20APR11	RK	HMR



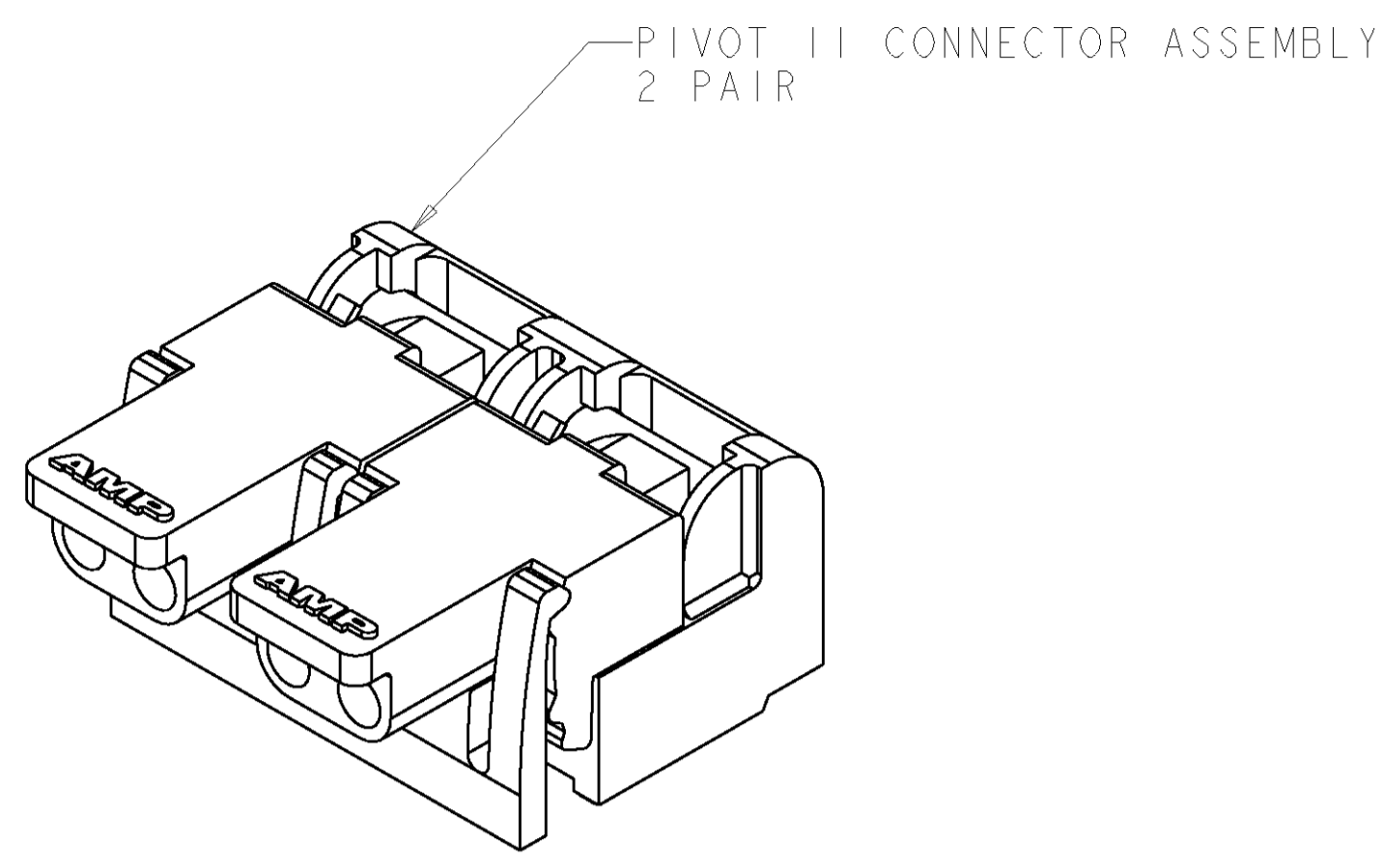
- 1 MATERIAL: BASE - POLYESTER MOLDING COMPOUND, BLACK. WIRE STUFFER - POLYCARBONATE MOLDING COMPOUND, SEE TABLE FOR COLOR. TERMINAL - COPPER ALLOY, PLATED WITH 3.81µm MINIMUM THICK TIN OVER 1.27µm MINIMUM THICK NICKEL UNDERPLATE.
- 2 EACH WIRE ENTRY HOLE ACCEPTS ONE UNSTRIPPED SOLID COPPER 22-26 AWG WIRE WITH WIRE INSULATION DIAMETER RANGE FROM .060 THROUGH .040. OTHER WIRE SIZES AND TYPES SHALL BE SUBMITTED TO AMP ENGINEERS FOR APPLICATION APPROVAL.
- 3. SOLDER TABS PROVIDED FOR PERMANENT BOARD MOUNTING.
- 4 LOCATION OF HOLE PATTERN DETERMINED BASED ON CUSTOMER REQUIREMENTS.



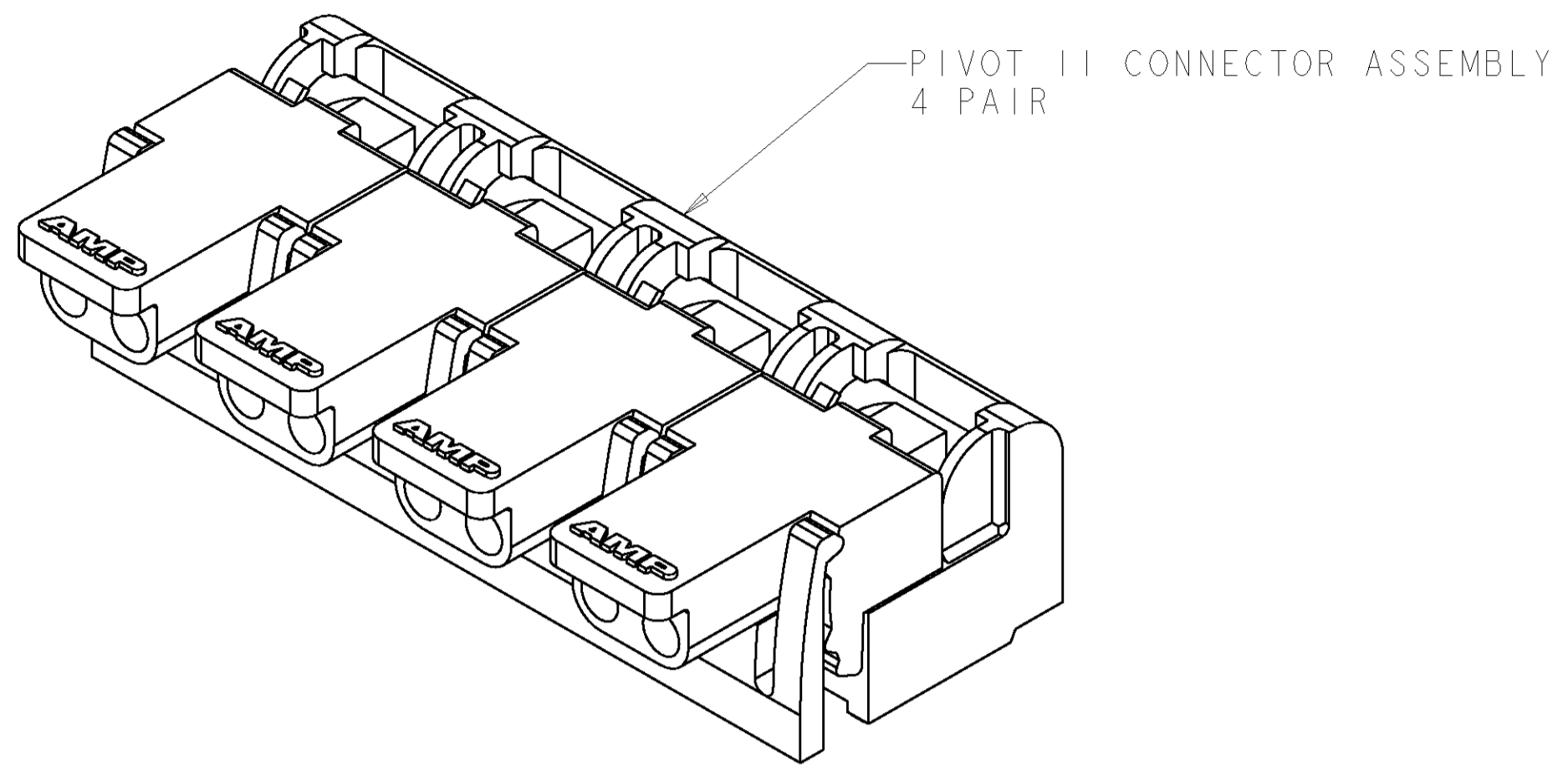
SUGGESTED PRINTED CIRCUIT BOARD MOUNTING DIMENSIONS (VIEWED FROM SOLDER SIDE)

DOUBLE	WHITE	4 PAIR, SH 2	1339376-3
SINGLE	CLEAR	4 PAIR, SH 2	1339376-2
SINGLE	CLEAR	AS SHOWN	1339376-1
ENTRY BASE	STUFFER COLOR	DESCRIPTION	PART NUMBER

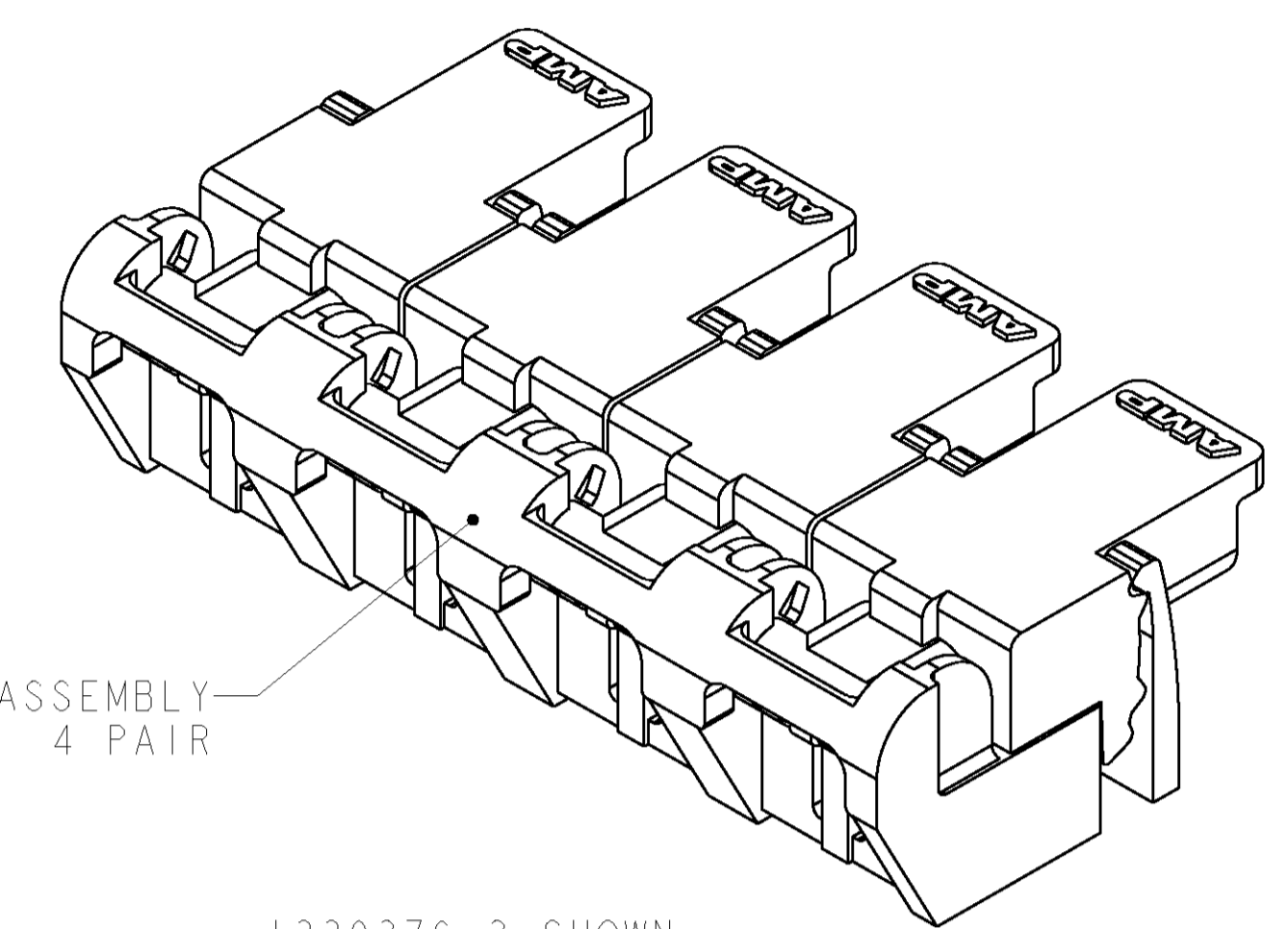
DIMENSIONS: INCHES		TOLERANCES UNLESS OTHERWISE SPECIFIED:		DRAWN: J. AHERON 30NOV00		CHK: S. ROBERTSON 30NOV00		APPR: S. ROBERTSON 30NOV00		NAME: ASSEMBLY, SINGLE ENTRY, PIVOT 11 CONNECTOR	
ϕ .070 ± .003 $\oplus .003 \text{ (M) } T S$ TYP		0 PLC ± 1 PLC ±.01 2 PLC ±.01 3 PLC ±.005 4 PLC ± ANGLES ± FINISH -		PRODUCT SPEC APPLICATION SPEC WEIGHT CUSTOMER DRAWING		SIZE: A1 CAGE CODE: 00779 DRAWING NO: 1339376		SCALE: 6:1 SHEET: 1 OF 2 REV: F1		STE TE Connectivity	



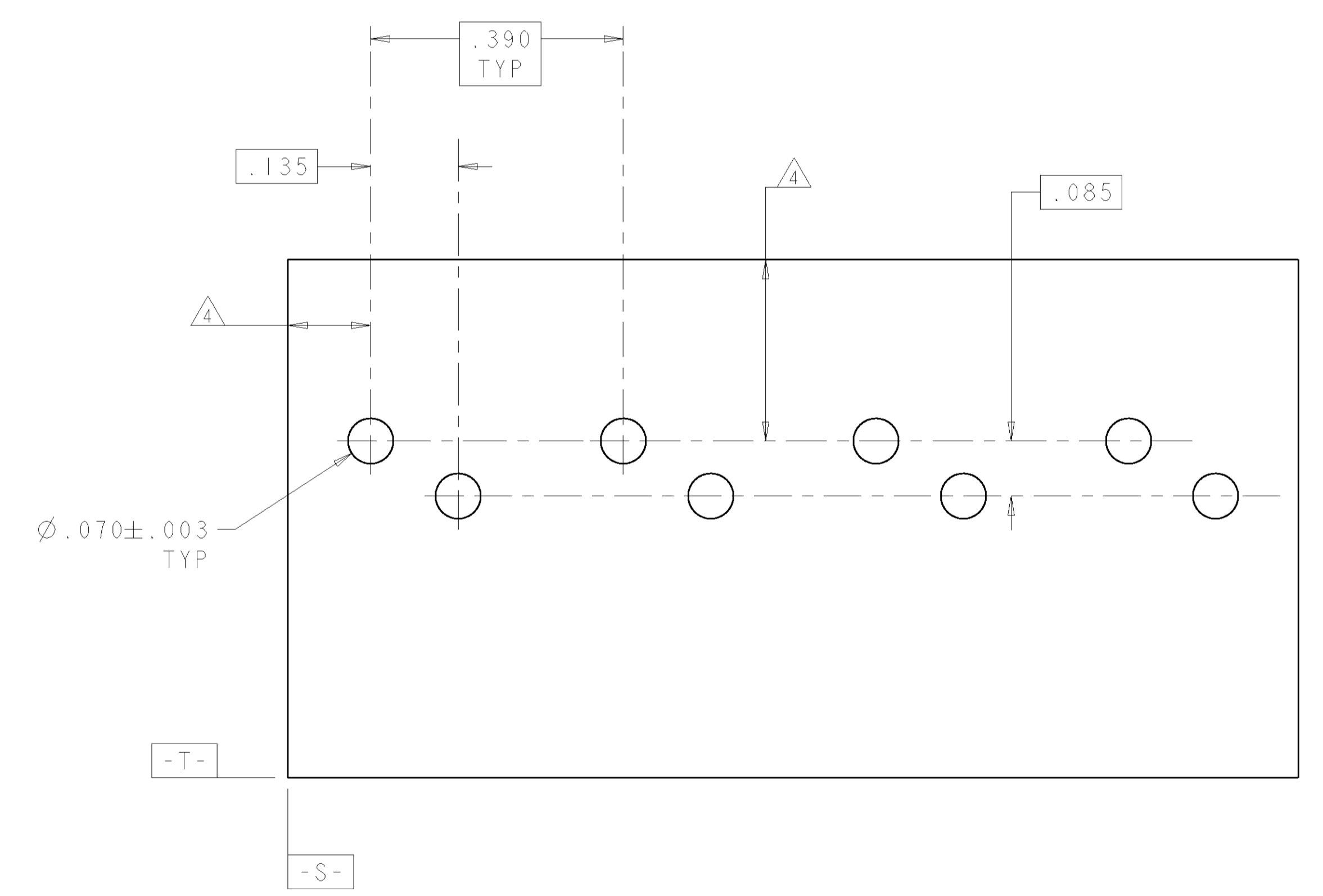
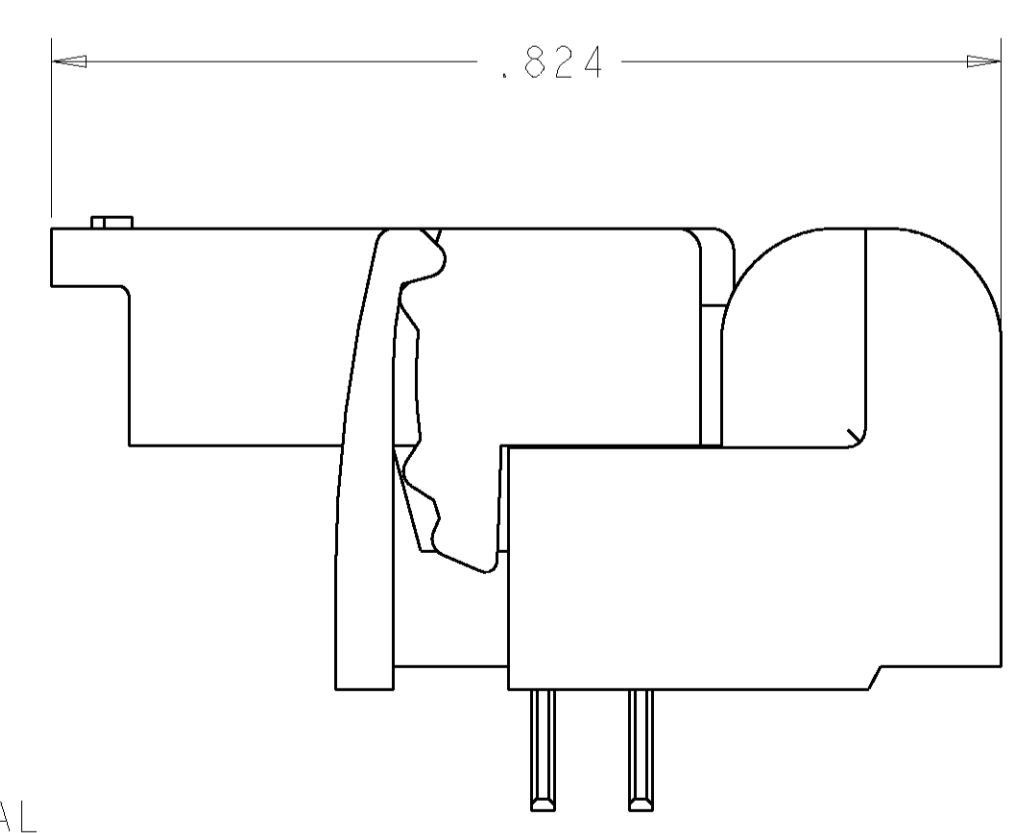
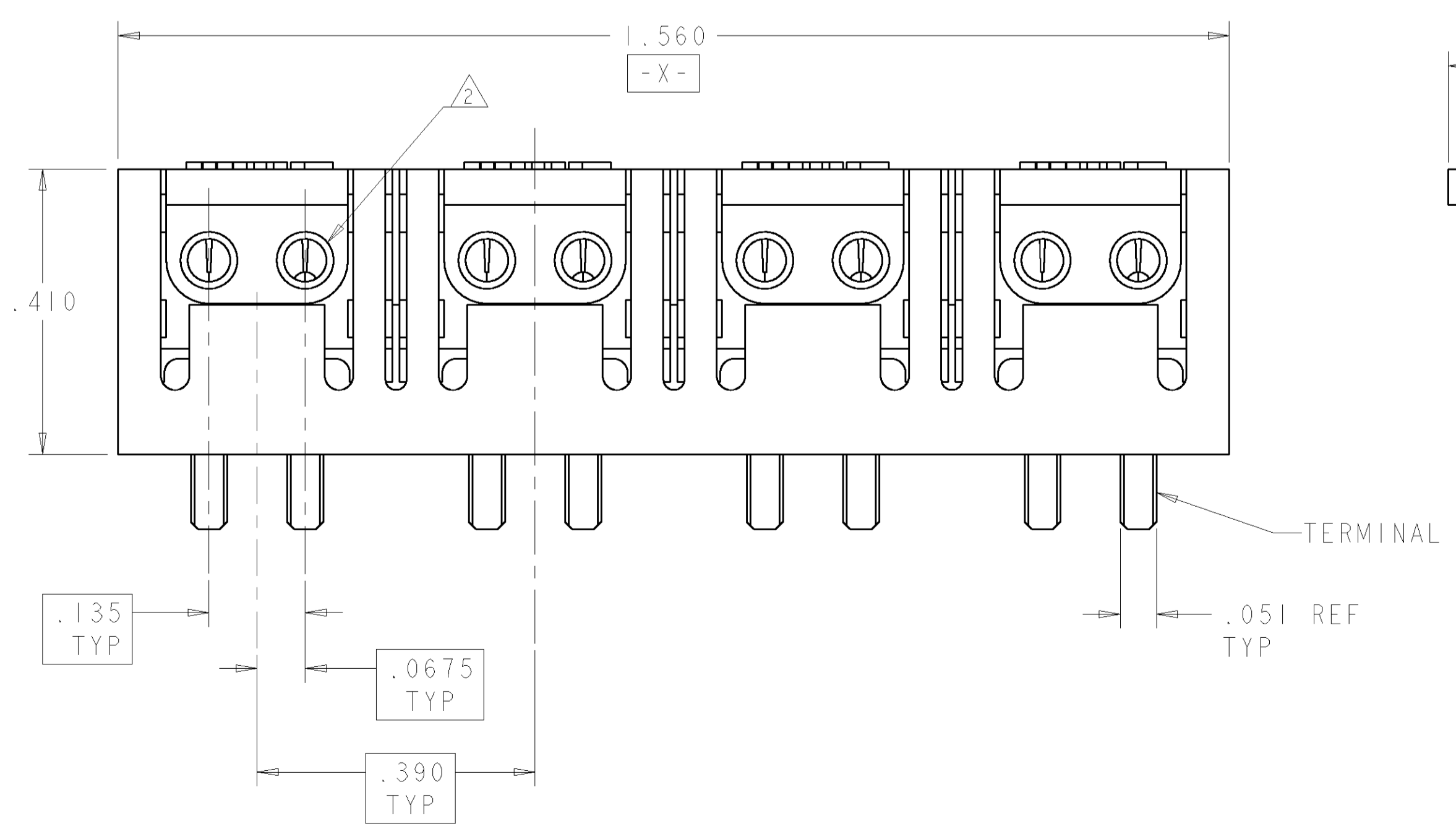
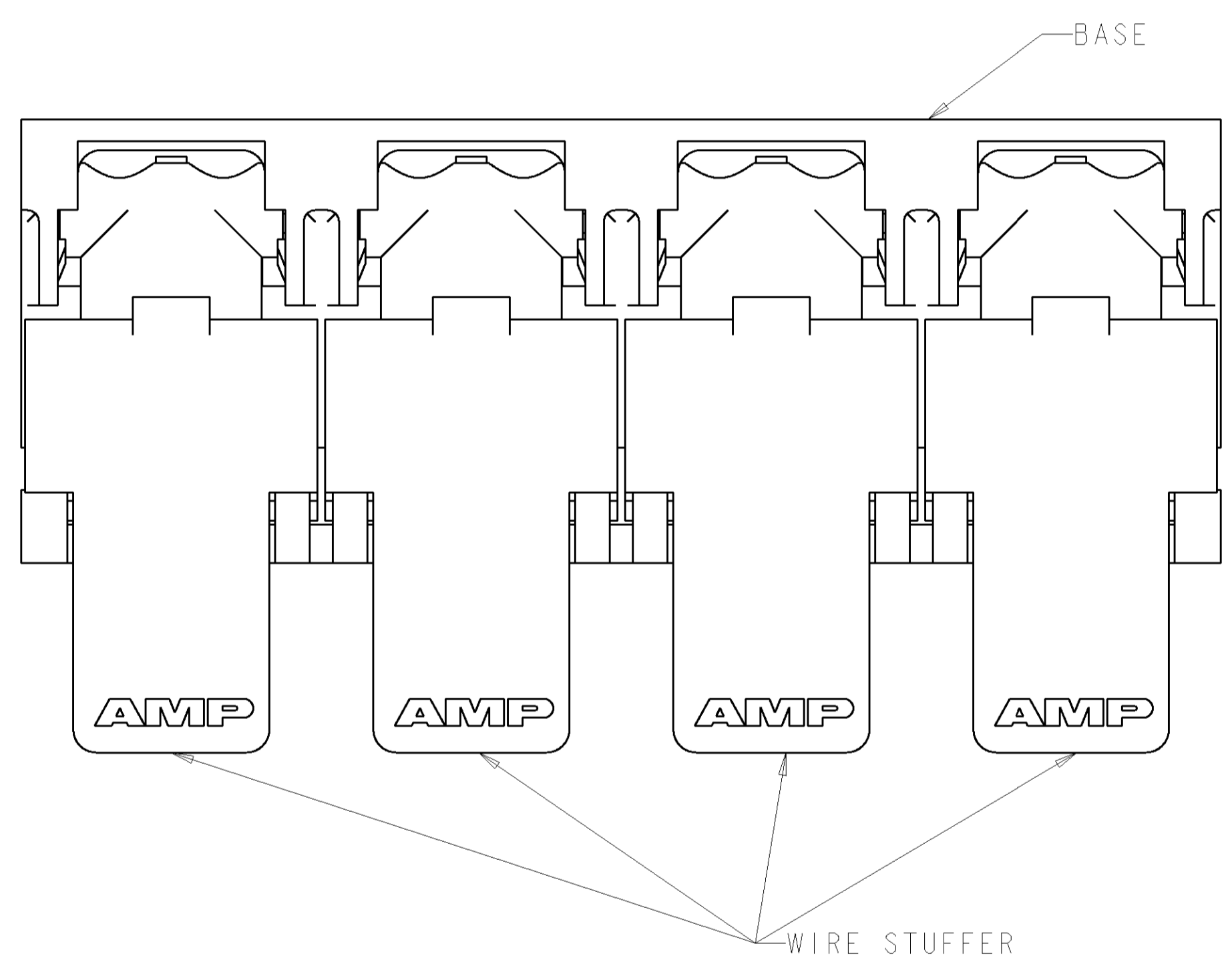
1339376-1 SHOWN
SCALE 4:1



1339376-2 SHOWN
SCALE 4:1



1339376-3 SHOWN
(WITH DOUBLE ENTRY)
SCALE 4:1



SUGGESTED PRINTED CIRCUIT BOARD
MOUNTING DIMENSIONS
(VIEWED FROM SOLDER SIDE)

DIMENSIONS: INCHES		TOLERANCES UNLESS OTHERWISE SPECIFIED:		DWN: J. AHERON 30NOV00		CHK: S. ROBERTSON 30NOV00		APVD: S. ROBERTSON 30NOV00		NAME: ASSEMBLY, SINGLE ENTRY, PIVOT II CONNECTOR	
		0 PLC	±	PRODUCT SPEC		APPLICATION SPEC		SIZE: A1		CAGE CODE: 00779	
MATERIAL: -		1 PLC	±.01	WEIGHT: -		DRAWING NO: 1339376		SCALE: 6:1		SHEET: 2 OF 2	
FINISH: -		2 PLC	±.005	CUSTOMER DRAWING		REV: F1					