



Chipsmall Limited consists of a professional team with an average of over 10 year of expertise in the distribution of electronic components. Based in Hongkong, we have already established firm and mutual-benefit business relationships with customers from,Europe,America and south Asia,supplying obsolete and hard-to-find components to meet their specific needs.

With the principle of “Quality Parts,Customers Priority,Honest Operation,and Considerate Service”,our business mainly focus on the distribution of electronic components. Line cards we deal with include Microchip,ALPS,ROHM,Xilinx,Pulse,ON,Everlight and Freescale. Main products comprise IC,Modules,Potentiometer,IC Socket,Relay,Connector.Our parts cover such applications as commercial,industrial, and automotives areas.

We are looking forward to setting up business relationship with you and hope to provide you with the best service and solution. Let us make a better world for our industry!



Contact us

Tel: +86-755-8981 8866 Fax: +86-755-8427 6832

Email & Skype: info@chipsmall.com Web: www.chipsmall.com

Address: A1208, Overseas Decoration Building, #122 Zhenhua RD., Futian, Shenzhen, China



THIS DRAWING IS UNPUBLISHED.

RELEASED FOR PUBLICATION

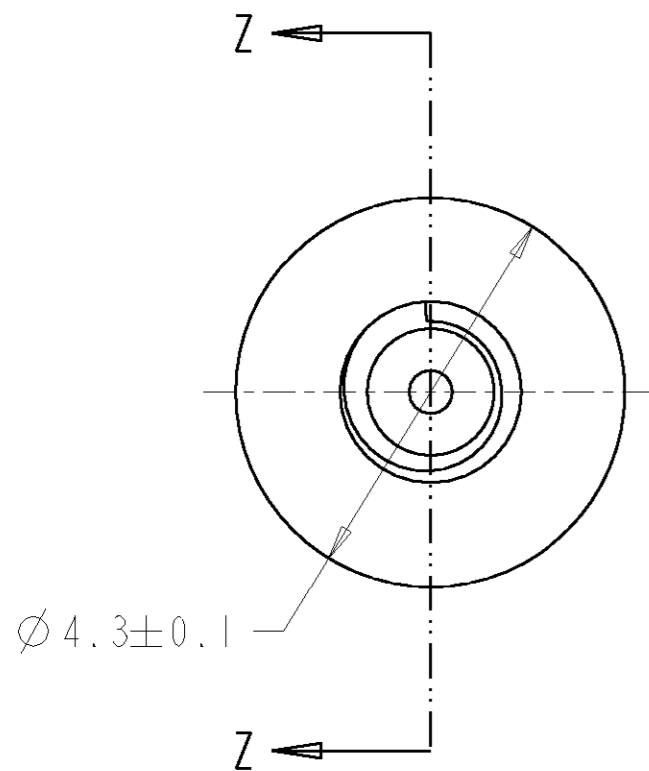
© COPYRIGHT

ALL RIGHTS RESERVED.

LOC GP DIST 00

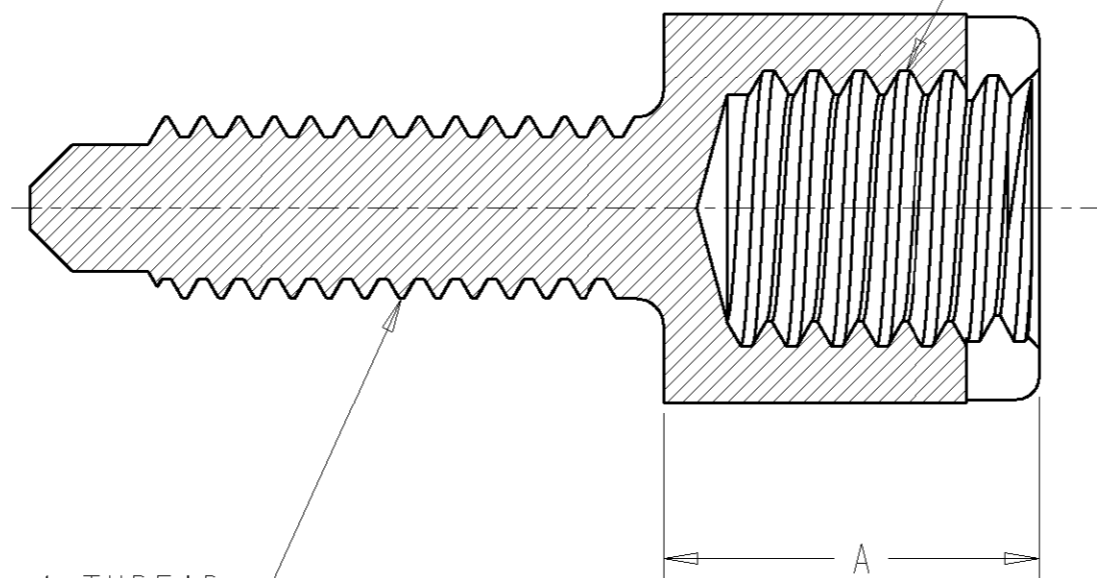
REVISIONS

P	LTR	DESCRIPTION	DATE	DWN	APVD
A1		REVISED PER ECO-11-005294	20APR11	RK	HMR

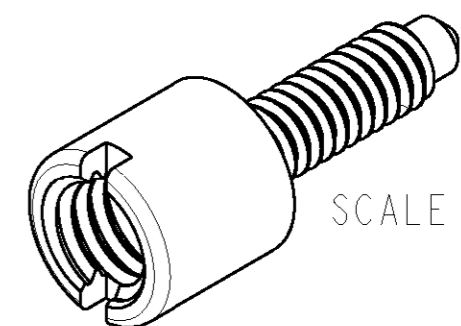
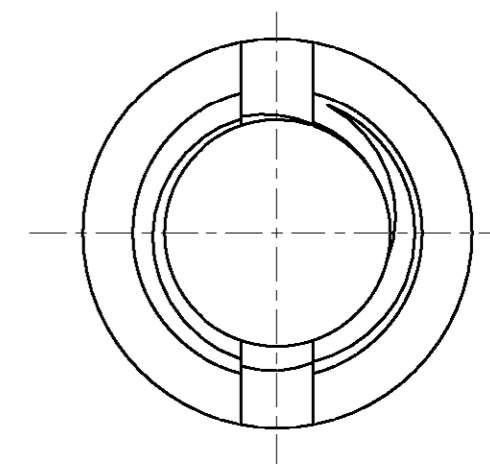


Ø 4.3 ± 0.1

M2 x .4 THREAD



SECTION Z-Z



SCALE 6:1

- 1 MATERIAL: STAINLESS STEEL.
- 2. SCREW LOCK REQUIRED FOR PART NUMBER 1339362.
SCREW LOCK MUST BE ORDERED SEPARATELY PER TABLE BELOW.

> 1mm - < 2mm	1339381-2
0mm - ≤ 1mm	1339381-1
PANEL THICKNESS	SCREW LOCK P/N

- 3 PACKAGED IN BAGS THAT INCLUDE 960 PIECES.
2 REQUIRED PER BOARD MOUNT CONNECTOR.

- 4 PACKAGED IN BAGS THAT INCLUDE 100 PIECES.
2 REQUIRED PER BOARD MOUNT CONNECTOR.

4.14	1339381-4	4
5.15	1339381-3	4
4.14	1339381-2	3
5.15	1339381-1	3
DIM A	PART NUMBER	

DIMENSIONS: mm 		TOLERANCES UNLESS OTHERWISE SPECIFIED: 0 PLC ±- 1 PLC ±0.05 2 PLC ±0.05 3 PLC ±0.05 4 PLC ±0.05 ANGLES ±2°		DWN K.ZARBOCK 27JUL01 CHR D.WIEBKING 27JUL01 APVD D.WIEBKING 27JUL01 PRODUCT SPEC - APPLICATION SPEC - WEIGHT -			
MATERIAL 1 		FINISH -		NAME SCREW LOCK, MINI RJ21, RECEPTACLE		SIZE A3 CAGE CODE 00779 DRAWING NO C-1339381 RESTRICTED TO -	
CUSTOMER DRAWING						SCALE 12:1 SHEET 1 OF 1 REV A1	