



Chipsmall Limited consists of a professional team with an average of over 10 year of expertise in the distribution of electronic components. Based in Hongkong, we have already established firm and mutual-benefit business relationships with customers from,Europe,America and south Asia,supplying obsolete and hard-to-find components to meet their specific needs.

With the principle of "Quality Parts,Customers Priority,Honest Operation,and Considerate Service",our business mainly focus on the distribution of electronic components. Line cards we deal with include Microchip,ALPS,ROHM,Xilinx,Pulse,ON,Everlight and Freescale. Main products comprise IC,Modules,Potentiometer,IC Socket,Relay,Connector.Our parts cover such applications as commercial,industrial, and automotives areas.

We are looking forward to setting up business relationship with you and hope to provide you with the best service and solution. Let us make a better world for our industry!



## Contact us

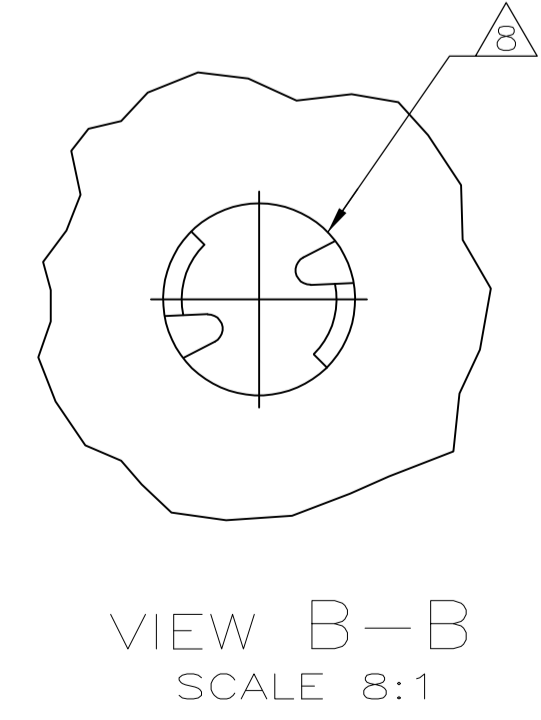
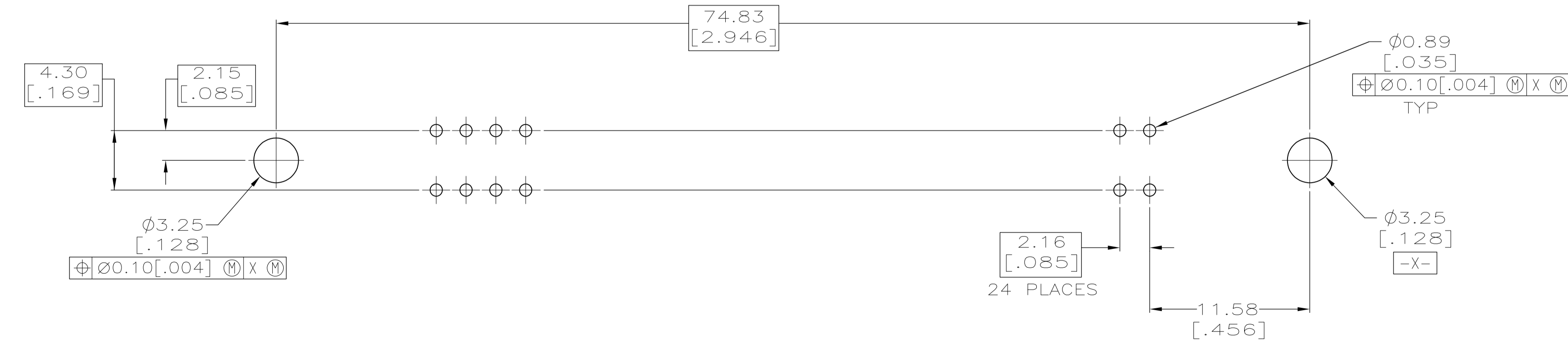
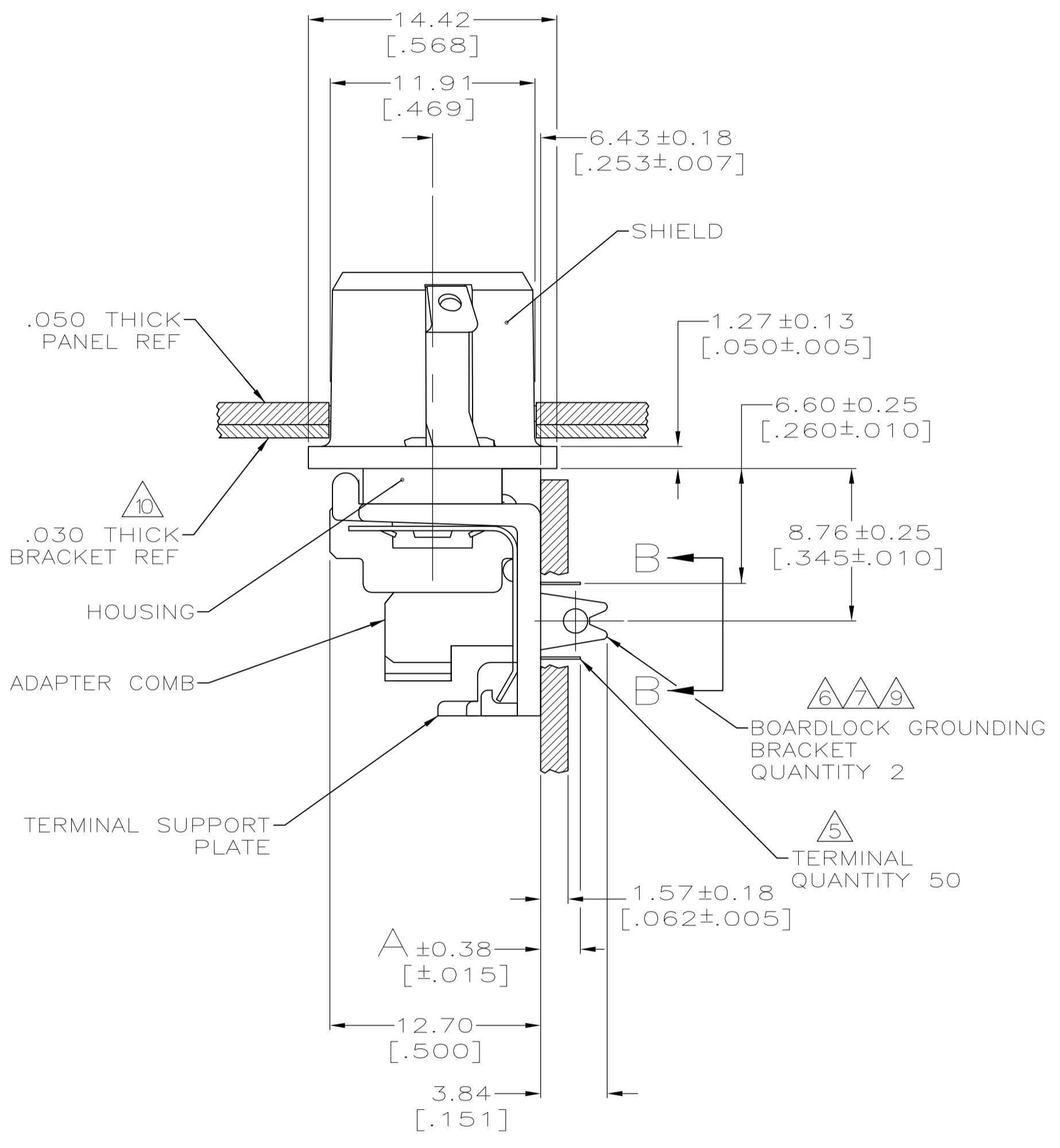
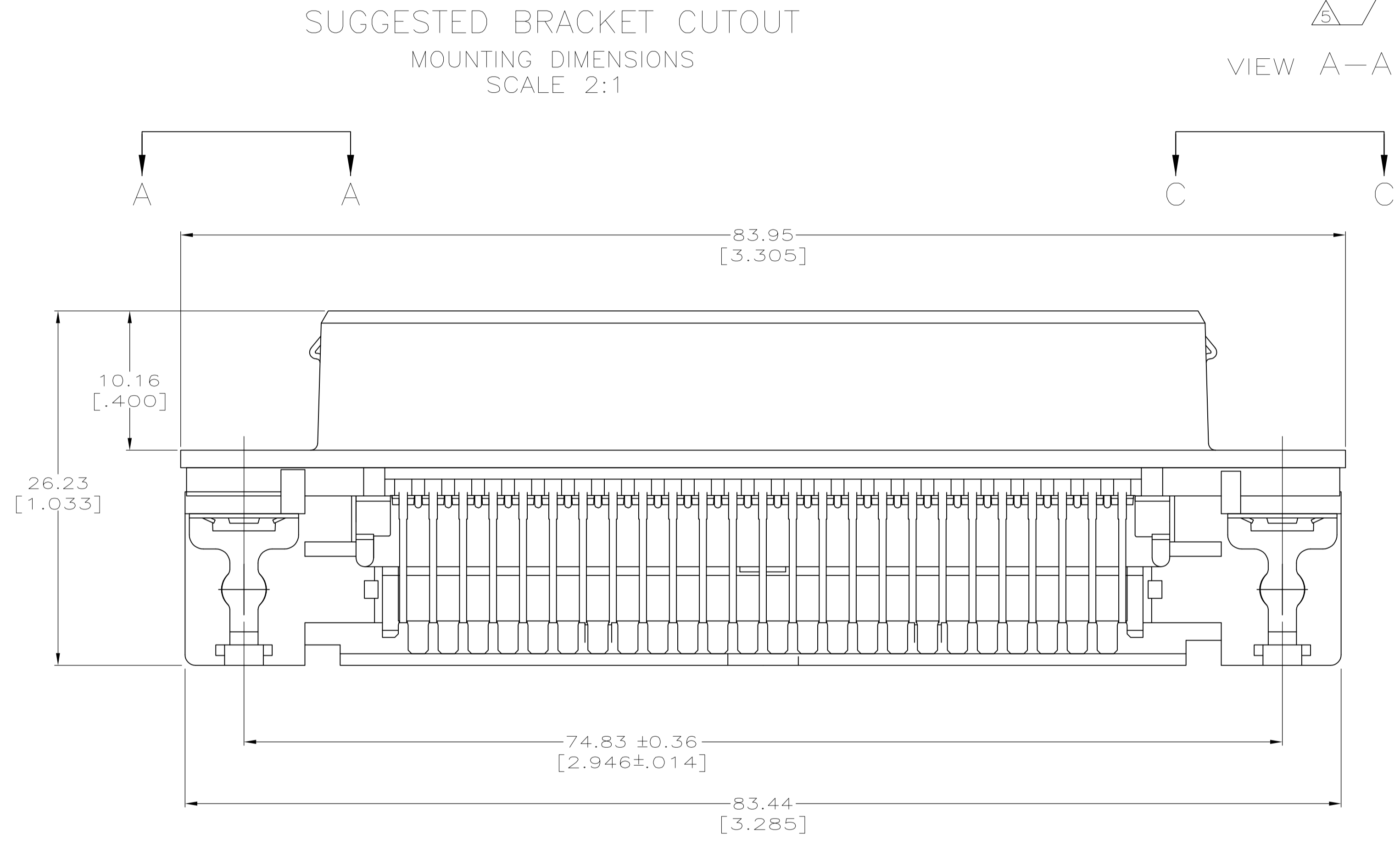
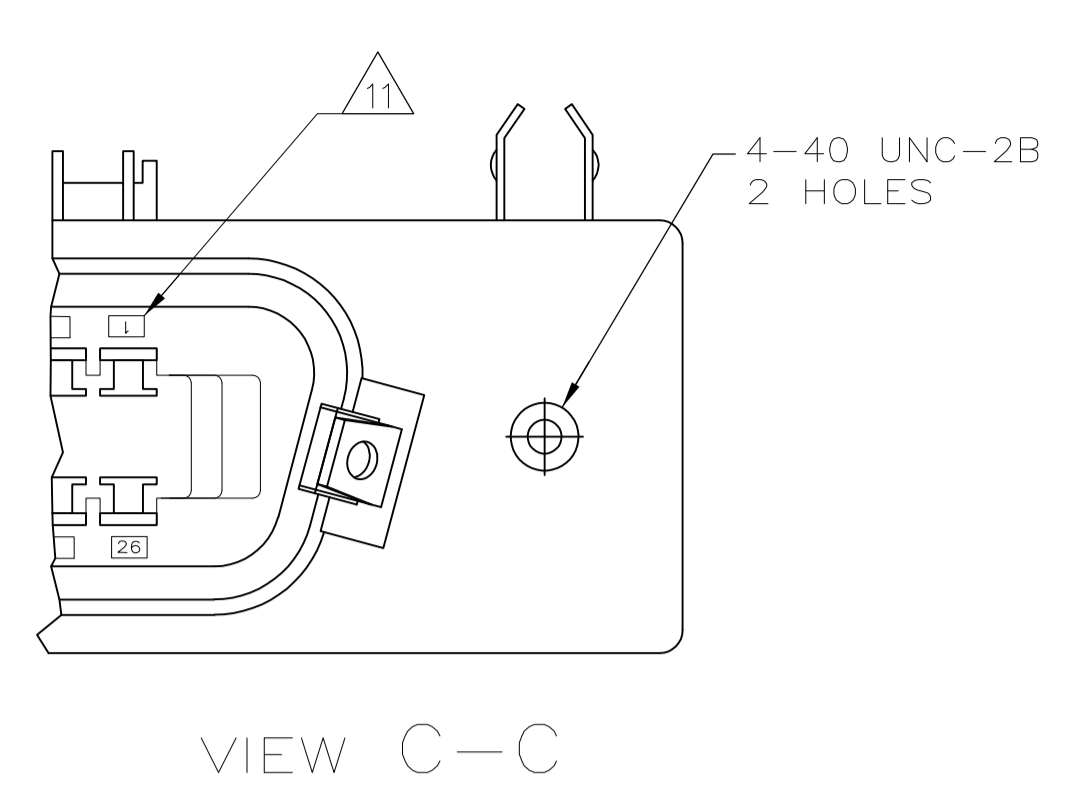
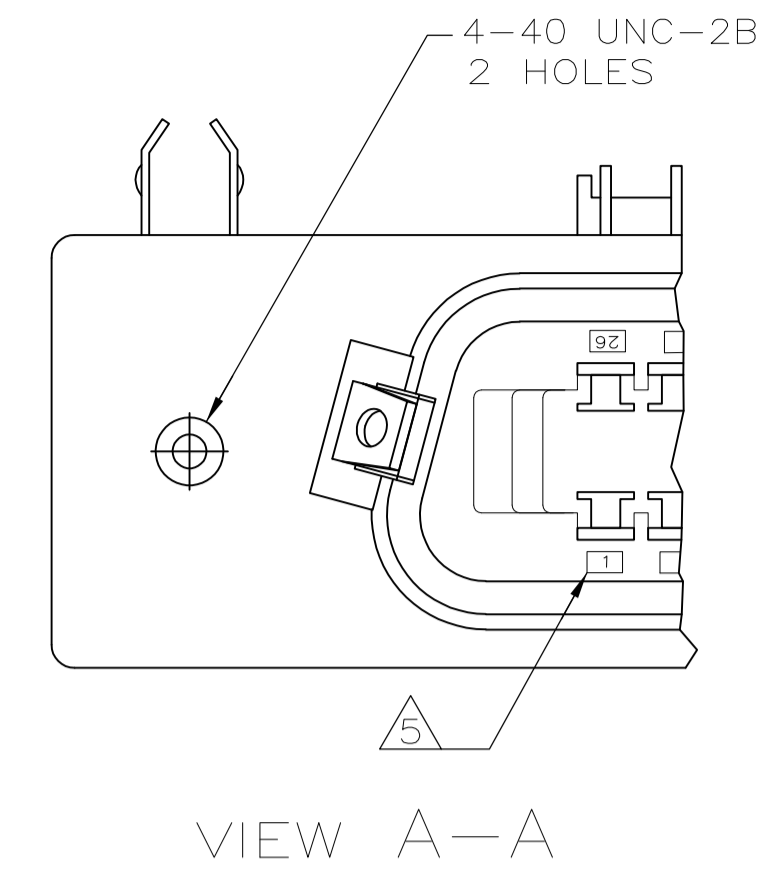
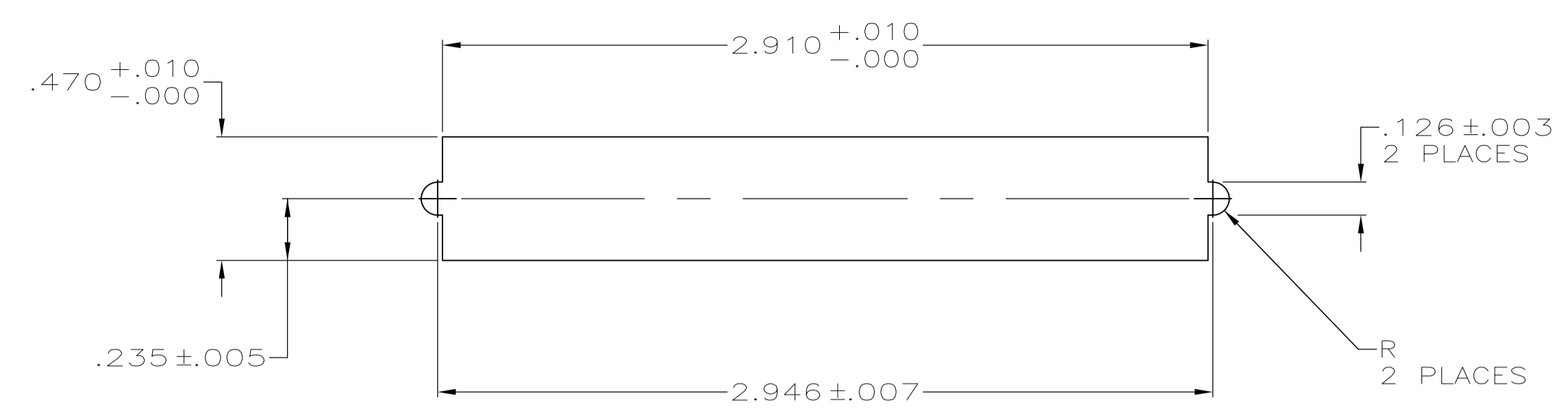
Tel: +86-755-8981 8866 Fax: +86-755-8427 6832

Email & Skype: info@chipsmall.com Web: www.chipsmall.com

Address: A1208, Overseas Decoration Building, #122 Zhenhua RD., Futian, Shenzhen, China



LOC		DIST		REVISIONS			
GP	00	F	LTR	DESCRIPTION	DATE	DM	APVD
		H		REVISED PER ECO-08-007327	08APR08	BM	WM
		H1		REVISED ECO ECO-09-024717	05NOV09	KK	AEG



- △ MATERIAL:  
HOUSING, ADAPTER COMB AND SUPPORT PLATE - POLYESTER, BLACK.  
TERMINALS - HIGH STRENGTH COPPER ALLOY PLATED WITH EITHER 0.76µm [.000030] MIN GOLD PLATE OR GOLD FLASH OVER PALLADIUM NICKEL PLATE, 0.76µm [.000030] MIN TOTAL ON MATING SURFACE. 3.05µm [.000120] MIN TIN-LEAD PLATE ON TAILS. ALL OVER 1.27µm [.000050] MIN NICKEL UNDERPLATE OVER ENTIRE TERMINAL.  
SHIELD - BRIGHT NICKEL OVER COPPER PLATED ZINC.  
BOARDLOCK GROUND BRACKET - TIN-LEAD PLATED CARBON STEEL.
- 2. THE CONTACT SURFACES OF THE TERMINALS ARE COATED WITH LUBRICANT.
- 3. CENTER-TO-CENTER SPACING OF TERMINALS IS 2.16 [.085] NOMINAL.
- △ ALL DIMENSIONS SHOWN ARE MAXIMUM UNLESS OTHERWISE SPECIFIED.
- △ TERMINAL 1 LOCATED IN THIS ROW FOR STANDARD ORIENTATION, SEE VIEW A-A.
- △ BOARDLOCK GROUNDING BRACKET RETAINS CONNECTOR IN 1.58 [.062] THICK PC BOARD WITHOUT ADDITIONAL HARDWARE.
- △ BOARDLOCK GROUNDING BRACKET LOCATES CONNECTOR FLUSH WITH TOP OF PC BOARD AND SPRING LOCKS BENEATH.
- △ CYLINDRICAL SHAPE OFFERS 180° OF SOLDERING SURFACE.
- △ SURFACE AREA OF BOARDLOCK GROUNDING BRACKET BELOW PC BOARD SHALL PASS SOLDERABILITY REQUIREMENTS IN ACCORDANCE WITH AMP SPEC 109-11-2. DISCOLORATION, SCRATCHES, SPOTS AND OTHER COSMETIC DEFICIENCIES TYPICAL OF BARREL PLATING PROCESSES ARE ACCEPTABLE PROVIDING PARTS PASS 24 HOUR EXPOSURE AT 95% RH AT 40° WITHOUT EVIDENCE OF CORROSION.
- △ OPTIONAL BRACKET SUPPLIED BY CUSTOMER.
- △ TERMINAL 1 LOCATED IN THIS ROW FOR REVERSE ORIENTATION, SEE VIEW C-C.
- △ OBSOLETE
- △ OBSOLETE PARTS: OBSOLETE CIS STREAMLINING PER D.RENAUD/D.SINISI

SUPERSEDED	3.175 [.125]	1-26	△ REVERSE, VIEW C-C	1339447-9
△ OBSOLETE	2.29 [.090]	NONE	△ STANDARD, VIEW C-C	1339447-8
△ OBSOLETE	2.29 [.090]	25-50	△ STANDARD, VIEW A-A	1339447-7
	2.29 [.090]	25-50	△ REVERSE, VIEW C-C	1339447-6
	2.29 [.090]	25-50	△ STANDARD, VIEW A-A	1339447-5
	2.29 [.090]	1-26/25-50	△ REVERSE, VIEW C-C	1339447-4
SUPERSEDED	2.29 [.090]	1-26/25-50	△ STANDARD, VIEW A-A	1339447-3
	2.29 [.090]	1-26	△ REVERSE, VIEW C-C	1339447-2
	2.29 [.090]	1-26	△ STANDARD, VIEW A-A	1339447-1

THIS DRAWING IS A CONTROLLED DOCUMENT.

DIMENSIONS: mm [INCHES]	TOLERANCES UNLESS OTHERWISE SPECIFIED:	0 PLC ±	1 PLC ±	2 PLC ±	3 PLC ±	4 PLC ±	ANGLES ±
MATERIAL	FINISH	WEIGHT					

APVD: A.W. REID  
 PRODUCT SPEC: RECEPTACLE ASSEMBLY, LOW PROFILE, SHIELDED, RIGHT ANGLE, 50 POSITION, BOARD LOCK, INTEGRAL LOCKING LATCH, CHAMP  
 APPLICATION SPEC: A1 00779 ©=1339447  
 CUSTOMER DRAWING SCALE: 4:1 SHEET 1 OF 1 REV H1