



Chipsmall Limited consists of a professional team with an average of over 10 year of expertise in the distribution of electronic components. Based in Hongkong, we have already established firm and mutual-benefit business relationships with customers from,Europe,America and south Asia,supplying obsolete and hard-to-find components to meet their specific needs.

With the principle of "Quality Parts,Customers Priority,Honest Operation,and Considerate Service",our business mainly focus on the distribution of electronic components. Line cards we deal with include Microchip,ALPS,ROHM,Xilinx,Pulse,ON,Everlight and Freescale. Main products comprise IC,Modules,Potentiometer,IC Socket,Relay,Connector.Our parts cover such applications as commercial,industrial, and automotives areas.

We are looking forward to setting up business relationship with you and hope to provide you with the best service and solution. Let us make a better world for our industry!



Contact us

Tel: +86-755-8981 8866 Fax: +86-755-8427 6832

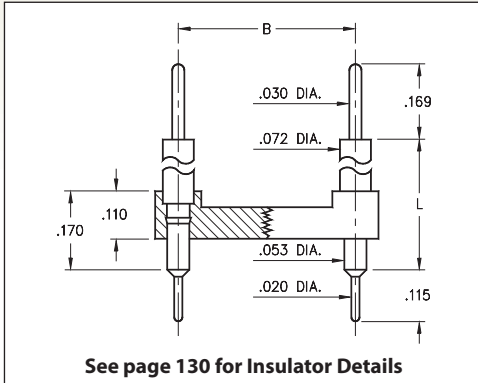
Email & Skype: info@chipsmall.com Web: www.chipsmall.com

Address: A1208, Overseas Decoration Building, #122 Zhenhua RD., Futian, Shenzhen, China

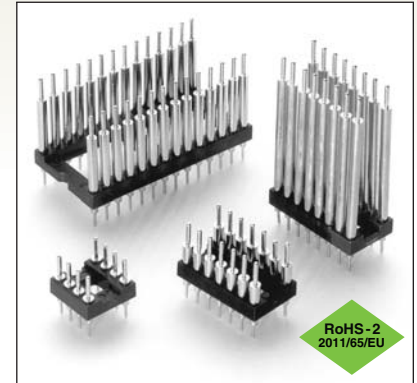


DUAL-IN-LINE HEADERS

SERIES 134 • INTERCONNECT • OPEN FRAME



- Series 134 DIL Headers combine .030" diameter pins with pluggable .020" diameter solder tails
- Series:
 - 134...020 uses MM #3402 pins
 - 134...010 uses MM #3401 pins
 - 134...050 uses MM #3405 pins
 - 134...000 uses MM #3400 pins
 - 134...100 uses MM #3410 pins
- Insulators are high temperature thermoplastic, suitable for all soldering operations
- For Electrical, Mechanical and Environmental Data, see page 264 for details



Total number of pins				Quantity per tube	ORDERING INFORMATION					
	A	B	C		L = .190	L = .236	L = .315	L = .605	L = 1.070	
10	0.5	0.2	0.3	41	134-10-210-00-020000	134-10-210-00-010000	134-10-210-00-050000	134-10-210-00-000000	134-10-210-00-100000	
4	0.2	0.3	0.4	102	134-10-304-00-020000	134-10-304-00-010000	134-10-304-00-050000	134-10-304-00-000000	134-10-304-00-100000	
6	0.3	0.3	0.4	67	134-10-306-00-020000	134-10-306-00-010000	134-10-306-00-050000	134-10-306-00-000000	134-10-306-00-100000	
8	0.4	0.3	0.4	50	134-10-308-00-020000	134-10-308-00-010000	134-10-308-00-050000	134-10-308-00-000000	134-10-308-00-100000	
10	0.5	0.3	0.4	40	134-10-310-00-020000	134-10-310-00-010000	134-10-310-00-050000	134-10-310-00-000000	134-10-310-00-100000	
14	0.7	0.3	0.4	28	134-10-314-00-020000	134-10-314-00-010000	134-10-314-00-050000	134-10-314-00-000000	134-10-314-00-100000	
16	0.8	0.3	0.4	25	134-10-316-00-020000	134-10-316-00-010000	134-10-316-00-050000	134-10-316-00-000000	134-10-316-00-100000	
18	0.9	0.3	0.4	22	134-10-318-00-020000	134-10-318-00-010000	134-10-318-00-050000	134-10-318-00-000000	134-10-318-00-100000	
20	1.0	0.3	0.4	20	134-10-320-00-020000	134-10-320-00-010000	134-10-320-00-050000	134-10-320-00-000000	134-10-320-00-100000	
22	1.1	0.3	0.4	18	134-10-322-00-020000	134-10-322-00-010000	134-10-322-00-050000	134-10-322-00-000000	134-10-322-00-100000	
24	1.2	0.3	0.4	16	134-10-324-00-020000	134-10-324-00-010000	134-10-324-00-050000	134-10-324-00-000000	134-10-324-00-100000	
28	1.4	0.3	0.4	14	134-10-328-00-020000	134-10-328-00-010000	134-10-328-00-050000	134-10-328-00-000000	134-10-328-00-100000	
20	1.0	0.4	0.5	20	134-10-420-00-020000	134-10-420-00-010000	134-10-420-00-050000	134-10-420-00-000000	134-10-420-00-100000	
22	1.1	0.4	0.5	18	134-10-422-00-020000	134-10-422-00-010000	134-10-422-00-050000	134-10-422-00-000000	134-10-422-00-100000	
24	1.2	0.4	0.5	16	134-10-424-00-020000	134-10-424-00-010000	134-10-424-00-050000	134-10-424-00-000000	134-10-424-00-100000	
28	1.4	0.4	0.5	14	134-10-428-00-020000	134-10-428-00-010000	134-10-428-00-050000	134-10-428-00-000000	134-10-428-00-100000	
32	1.6	0.4	0.5	12	134-10-432-00-020000	134-10-432-00-010000	134-10-432-00-050000	134-10-432-00-000000	134-10-432-00-100000	
24	1.2	0.6	0.7	16	134-10-624-00-020000	134-10-624-00-010000	134-10-624-00-050000	134-10-624-00-000000	134-10-624-00-100000	
28	1.4	0.6	0.7	14	134-10-628-00-020000	134-10-628-00-010000	134-10-628-00-050000	134-10-628-00-000000	134-10-628-00-100000	
32	1.6	0.6	0.7	12	134-10-632-00-020000	134-10-632-00-010000	134-10-632-00-050000	134-10-632-00-000000	134-10-632-00-100000	
36	1.8	0.6	0.7	11	134-10-636-00-020000	134-10-636-00-010000	134-10-636-00-050000	134-10-636-00-000000	134-10-636-00-100000	
40	2.0	0.6	0.7	10	134-10-640-00-020000	134-10-640-00-010000	134-10-640-00-050000	134-10-640-00-000000	134-10-640-00-100000	
42	2.1	0.6	0.7	9	134-10-642-00-020000	134-10-642-00-010000	134-10-642-00-050000	134-10-642-00-000000	134-10-642-00-100000	
48	2.4	0.6	0.7	8	134-10-648-00-020000	134-10-648-00-010000	134-10-648-00-050000	134-10-648-00-000000	134-10-648-00-100000	
50	2.5	0.6	0.7	8	134-10-650-00-020000	134-10-650-00-010000	134-10-650-00-050000	134-10-650-00-000000	134-10-650-00-100000	
52	2.6	0.6	0.7	7	134-10-652-00-020000	134-10-652-00-010000	134-10-652-00-050000	134-10-652-00-000000	134-10-652-00-100000	
50	2.5	0.9	1.0	8	134-10-950-00-020000	134-10-950-00-010000	134-10-950-00-050000	134-10-950-00-000000	134-10-950-00-100000	
52	2.6	0.9	1.0	7	134-10-952-00-020000	134-10-952-00-010000	134-10-952-00-050000	134-10-952-00-000000	134-10-952-00-100000	
64	3.2	0.9	1.0	6	134-10-964-00-020000	134-10-964-00-010000	134-10-964-00-050000	134-10-964-00-000000	134-10-964-00-100000	
XX=Plating Code See to Right					SPECIFY PLATING CODE XX =		10			
					Pin Plating		10 μ" Au			

