



Chipsmall Limited consists of a professional team with an average of over 10 year of expertise in the distribution of electronic components. Based in Hongkong, we have already established firm and mutual-benefit business relationships with customers from,Europe,America and south Asia,supplying obsolete and hard-to-find components to meet their specific needs.

With the principle of "Quality Parts,Customers Priority,Honest Operation,and Considerate Service",our business mainly focus on the distribution of electronic components. Line cards we deal with include Microchip,ALPS,ROHM,Xilinx,Pulse,ON,Everlight and Freescale. Main products comprise IC,Modules,Potentiometer,IC Socket,Relay,Connector.Our parts cover such applications as commercial,industrial, and automotives areas.

We are looking forward to setting up business relationship with you and hope to provide you with the best service and solution. Let us make a better world for our industry!



Contact us

Tel: +86-755-8981 8866 Fax: +86-755-8427 6832

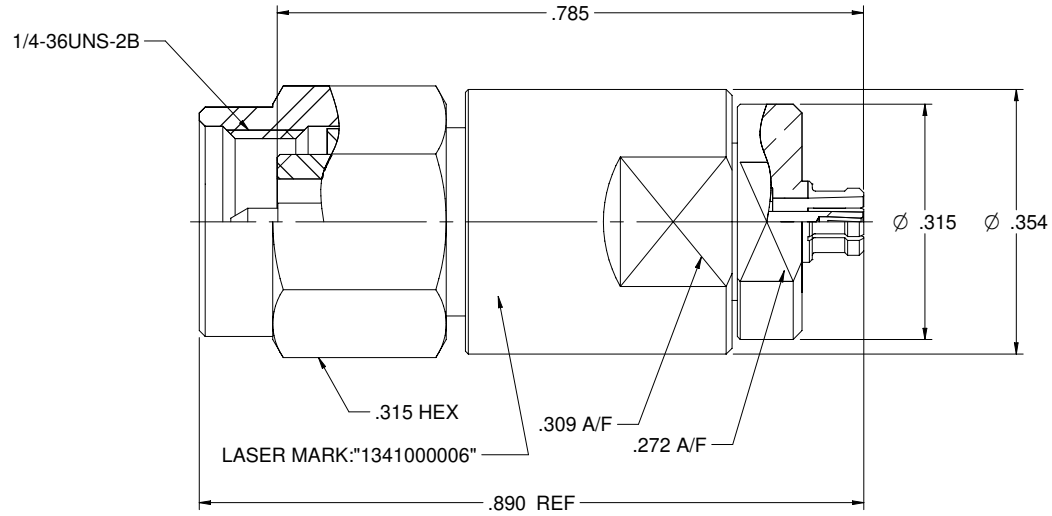
Email & Skype: info@chipsmall.com Web: www.chipsmall.com

Address: A1208, Overseas Decoration Building, #122 Zhenhua RD., Futian, Shenzhen, China



MODEL NO.	PACKAGING
134-1000-006	ONE PCS PER BAG

REV	ECO	DATE
001	ECO-17-0032	11/28/2017



NOTES: UNLESS OTHERWISE SPECIFIED

1. MATERIAL & FINISH:
 - 1.1 BODY & SHELL: PASSIVATED STAINLESS STEEL
 - 1.2 CONTACT PIN & CONTACT BODY: GOLD PLATED BERYLLIUM COPPER
 - 1.3 INSULATOR1: ULTEM1000 AMBER
 - 1.4 INSULATOR2: PTFE WHITE
 - 1.5 C RING: BERYLLIUM COPPER
 - 1.6 GASKET: SILICONE RED
2. ELECTRICAL:
 - 2.1 IMPEDANCE: 50 OHMS
 - 2.2 FREQUENCY RANGE: 0-40 GHz
 - 2.3 VOLTAGE STANDING WAVE RATIO: 1.3 MAX
 - 2.4 DIELECTRIC WITHSTANDING VOLTAGE: 325 VRMS MIN
 - 2.5 CONTACT RESISTANCE:
 - 2.5.1 CENTER CONTACT: 6 MILLIOHM MAX
 - 2.5.2 OUTER CONTACT: 2 MILLIOHM MAX
 - 2.6 INSULATOR RESISTANCE: 5000 MEGOHM MIN
3. MECHANICAL:
 - 3.1 ENGAGEMENT FORCE: 0.23 NM MAX (SMK)
FULL DETENT 19 N MAX, SMOOTH BORE 11 N MAX (SMPM)
 - 3.2 DISENGAGEMENT FORCE: 0.23 NM MAX (SMK)
FULL DETENT 29 N MAX, SMOOTH BORE 11N MAX (SMPM)
 - 3.3 COUPLING PROOF TORQUE: 1.7 NM MIN.(SMK)
 - 3.4 COUPLING NUT RETENTION: 267N MIN
 - 3.5 CONTACT RETENTION: 22 N MIN
 - 3.6 DURABILITY: 500 CYCLES MIN (SMK)
FULL DETENT 100 CYCLES MIN, SMOOTH BORE 500 CYCLES MIN (SMPM)
4. ENVIRONMENT:
 - 4.1 THERMAL SHOCK: MIL-STD-202, METHOD 107, CONDITION B.
 - 4.2 OPERATING TEMPERATURE: -55TO 125°C
 - 4.3 SALT SPRAY: MIL-STD-202, METHOD 101, CONDITION B
 - 4.4 SHOCK: MIL-STD-202, METHOD 213, CONDITION I
 - 4.5 VIBRATION: MIL-STD-202, METHOD 204, CONDITION D
 - 4.6 MOISTURE RESISTANCE: MIL-STD-202, METHOD 106

	Model No. 134-1000-006	Johnson	
	RoHS2 EU 2011/65/EU REACH 2002/61/EC 2005/84/EC 2009/108/EC 2010/67/EU 2013/39/EU 2015/863/EU 2017/2103/EU 2017/2104/EU 2017/2105/EU 2017/2106/EU 2017/2107/EU 2017/2108/EU 2017/2109/EU 2017/2110/EU 2017/2111/EU 2017/2112/EU 2017/2113/EU 2017/2114/EU 2017/2115/EU 2017/2116/EU 2017/2117/EU 2017/2118/EU 2017/2119/EU 2017/2120/EU 2017/2121/EU 2017/2122/EU 2017/2123/EU 2017/2124/EU 2017/2125/EU 2017/2126/EU 2017/2127/EU 2017/2128/EU 2017/2129/EU 2017/2130/EU 2017/2131/EU 2017/2132/EU 2017/2133/EU 2017/2134/EU 2017/2135/EU 2017/2136/EU 2017/2137/EU 2017/2138/EU 2017/2139/EU 2017/2140/EU 2017/2141/EU 2017/2142/EU 2017/2143/EU 2017/2144/EU 2017/2145/EU 2017/2146/EU 2017/2147/EU 2017/2148/EU 2017/2149/EU 2017/2150/EU 2017/2151/EU 2017/2152/EU 2017/2153/EU 2017/2154/EU 2017/2155/EU 2017/2156/EU 2017/2157/EU 2017/2158/EU 2017/2159/EU 2017/2160/EU 2017/2161/EU 2017/2162/EU 2017/2163/EU 2017/2164/EU 2017/2165/EU 2017/2166/EU 2017/2167/EU 2017/2168/EU 2017/2169/EU 2017/2170/EU 2017/2171/EU 2017/2172/EU 2017/2173/EU 2017/2174/EU 2017/2175/EU 2017/2176/EU 2017/2177/EU 2017/2178/EU 2017/2179/EU 2017/2180/EU 2017/2181/EU 2017/2182/EU 2017/2183/EU 2017/2184/EU 2017/2185/EU 2017/2186/EU 2017/2187/EU 2017/2188/EU 2017/2189/EU 2017/2190/EU 2017/2191/EU 2017/2192/EU 2017/2193/EU 2017/2194/EU 2017/2195/EU 2017/2196/EU 2017/2197/EU 2017/2198/EU 2017/2199/EU 2017/2200/EU 2017/2201/EU 2017/2202/EU 2017/2203/EU 2017/2204/EU 2017/2205/EU 2017/2206/EU 2017/2207/EU 2017/2208/EU 2017/2209/EU 2017/2210/EU 2017/2211/EU 2017/2212/EU 2017/2213/EU 2017/2214/EU 2017/2215/EU 2017/2216/EU 2017/2217/EU 2017/2218/EU 2017/2219/EU 2017/2220/EU 2017/2221/EU 2017/2222/EU 2017/2223/EU 2017/2224/EU 2017/2225/EU 2017/2226/EU 2017/2227/EU 2017/2228/EU 2017/2229/EU 2017/2230/EU 2017/2231/EU 2017/2232/EU 2017/2233/EU 2017/2234/EU 2017/2235/EU 2017/2236/EU 2017/2237/EU 2017/2238/EU 2017/2239/EU 2017/2240/EU 2017/2241/EU 2017/2242/EU 2017/2243/EU 2017/2244/EU 2017/2245/EU 2017/2246/EU 2017/2247/EU 2017/2248/EU 2017/2249/EU 2017/2250/EU 2017/2251/EU 2017/2252/EU 2017/2253/EU 2017/2254/EU 2017/2255/EU 2017/2256/EU 2017/2257/EU 2017/2258/EU 2017/2259/EU 2017/2260/EU 2017/2261/EU 2017/2262/EU 2017/2263/EU 2017/2264/EU 2017/2265/EU 2017/2266/EU 2017/2267/EU 2017/2268/EU 2017/2269/EU 2017/2270/EU 2017/2271/EU 2017/2272/EU 2017/2273/EU 2017/2274/EU 2017/2275/EU 2017/2276/EU 2017/2277/EU 2017/2278/EU 2017/2279/EU 2017/2280/EU 2017/2281/EU 2017/2282/EU 2017/2283/EU 2017/2284/EU 2017/2285/EU 2017/2286/EU 2017/2287/EU 2017/2288/EU 2017/2289/EU 2017/2290/EU 2017/2291/EU 2017/2292/EU 2017/2293/EU 2017/2294/EU 2017/2295/EU 2017/2296/EU 2017/2297/EU 2017/2298/EU 2017/2299/EU 2017/2300/EU 2017/2301/EU 2017/2302/EU 2017/2303/EU 2017/2304/EU 2017/2305/EU 2017/2306/EU 2017/2307/EU 2017/2308/EU 2017/2309/EU 2017/2310/EU 2017/2311/EU 2017/2312/EU 2017/2313/EU 2017/2314/EU 2017/2315/EU 2017/2316/EU 2017/2317/EU 2017/2318/EU 2017/2319/EU 2017/2320/EU 2017/2321/EU 2017/2322/EU 2017/2323/EU 2017/2324/EU 2017/2325/EU 2017/2326/EU 2017/2327/EU 2017/2328/EU 2017/2329/EU 2017/2330/EU 2017/2331/EU 2017/2332/EU 2017/2333/EU 2017/2334/EU 2017/2335/EU 2017/2336/EU 2017/2337/EU 2017/2338/EU 2017/2339/EU 2017/2340/EU 2017/2341/EU 2017/2342/EU 2017/2343/EU 2017/2344/EU 2017/2345/EU 2017/2346/EU 2017/2347/EU 2017/2348/EU 2017/2349/EU 2017/2350/EU 2017/2351/EU 2017/2352/EU 2017/2353/EU 2017/2354/EU 2017/2355/EU 2017/2356/EU 2017/2357/EU 2017/2358/EU 2017/2359/EU 2017/2360/EU 2017/2361/EU 2017/2362/EU 2017/2363/EU 2017/2364/EU 2017/2365/EU 2017/2366/EU 2017/2367/EU 2017/2368/EU 2017/2369/EU 2017/2370/EU 2017/2371/EU 2017/2372/EU 2017/2373/EU 2017/2374/EU 2017/2375/EU 2017/2376/EU 2017/2377/EU 2017/2378/EU 2017/2379/EU 2017/2380/EU 2017/2381/EU 2017/2382/EU 2017/2383/EU 2017/2384/EU 2017/2385/EU 2017/2386/EU 2017/2387/EU 2017/2388/EU 2017/2389/EU 2017/2390/EU 2017/2391/EU 2017/2392/EU 2017/2393/EU 2017/2394/EU 2017/2395/EU 2017/2396/EU 2017/2397/EU 2017/2398/EU 2017/2399/EU 2017/2400/EU 2017/2401/EU 2017/2402/EU 2017/2403/EU 2017/2404/EU 2017/2405/EU 2017/2406/EU 2017/2407/EU 2017/2408/EU 2017/2409/EU 2017/2410/EU 2017/2411/EU 2017/2412/EU 2017/2413/EU 2017/2414/EU 2017/2415/EU 2017/2416/EU 2017/2417/EU 2017/2418/EU 2017/2419/EU 2017/2420/EU 2017/2421/EU 2017/2422/EU 2017/2423/EU 2017/2424/EU 2017/2425/EU 2017/2426/EU 2017/2427/EU 2017/2428/EU 2017/2429/EU 2017/2430/EU 2017/2431/EU 2017/2432/EU 2017/2433/EU 2017/2434/EU 2017/2435/EU 2017/2436/EU 2017/2437/EU 2017/2438/EU 2017/2439/EU 2017/2440/EU 2017/2441/EU 2017/2442/EU 2017/2443/EU 2017/2444/EU 2017/2445/EU 2017/2446/EU 2017/2447/EU 2017/2448/EU 2017/2449/EU 2017/2450/EU 2017/2451/EU 2017/2452/EU 2017/2453/EU 2017/2454/EU 2017/2455/EU 2017/2456/EU 2017/2457/EU 2017/2458/EU 2017/2459/EU 2017/2460/EU 2017/2461/EU 2017/2462/EU 2017/2463/EU 2017/2464/EU 2017/2465/EU 2017/2466/EU 2017/2467/EU 2017/2468/EU 2017/2469/EU 2017/2470/EU 2017/2471/EU 2017/2472/EU 2017/2473/EU 2017/2474/EU 2017/2475/EU 2017/2476/EU 2017/2477/EU 2017/2478/EU 2017/2479/EU 2017/2480/EU 2017/2481/EU 2017/2482/EU 2017/2483/EU 2017/2484/EU 2017/2485/EU 2017/2486/EU 2017/2487/EU 2017/2488/EU 2017/2489/EU 2017/2490/EU 2017/2491/EU 2017/2492/EU 2017/2493/EU 2017/2494/EU 2017/2495/EU 2017/2496/EU 2017/2497/EU 2017/2498/EU 2017/2499/EU 2017/2500/EU 2017/2501/EU 2017/2502/EU 2017/2503/EU 2017/2504/EU 2017/2505/EU 2017/2506/EU 2017/2507/EU 2017/2508/EU 2017/2509/EU 2017/2510/EU 2017/2511/EU 2017/2512/EU 2017/2513/EU 2017/2514/EU 2017/2515/EU 2017/2516/EU 2017/2517/EU 2017/2518/EU 2017/2519/EU 2017/2520/EU 2017/2521/EU 2017/2522/EU 2017/2523/EU 2017/2524/EU 2017/2525/EU 2017/2526/EU 2017/2527/EU 2017/2528/EU 2017/2529/EU 2017/2530/EU 2017/2531/EU 2017/2532/EU 2017/2533/EU 2017/2534/EU 2017/2535/EU 2017/2536/EU 2017/2537/EU 2017/2538/EU 2017/2539/EU 2017/2540/EU 2017/2541/EU 2017/2542/EU 2017/2543/EU 2017/2544/EU 2017/2545/EU 2017/2546/EU 2017/2547/EU 2017/2548/EU 2017/2549/EU 2017/2550/EU 2017/2551/EU 2017/2552/EU 2017/2553/EU 2017/2554/EU 2017/2555/EU 2017/2556/EU 2017/2557/EU 2017/2558/EU 2017/2559/EU 2017/2560/EU 2017/2561/EU 2017/2562/EU 2017/2563/EU 2017/2564/EU 2017/2565/EU 2017/2566/EU 2017/2567/EU 2017/2568/EU 2017/2569/EU 2017/2570/EU 2017/2571/EU 2017/2572/EU 2017/2573/EU 2017/2574/EU 2017/2575/EU 2017/2576/EU 2017/2577/EU 2017/2578/EU 2017/2579/EU 2017/2580/EU 2017/2581/EU 2017/2582/EU 2017/2583/EU 2017/2584/EU 2017/2585/EU 2017/2586/EU 2017/2587/EU 2017/2588/EU 2017/2589/EU 2017/2590/EU 2017/2591/EU 2017/2592/EU 2017/2593/EU 2017/2594/EU 2017/2595/EU 2017/2596/EU 2017/2597/EU 2017/2598/EU 2017/2599/EU 2017/2600/EU 2017/2601/EU 2017/2602/EU 2017/2603/EU 2017/2604/EU 2017/2605/EU 2017/2606/EU 2017/2607/EU 2017/2608/EU 2017/2609/EU 2017/2610/EU 2017/2611/EU 2017/2612/EU 2017/2613/EU 2017/2614/EU 2017/2615/EU 2017/2616/EU 2017/2617/EU 2017/2618/EU 2017/2619/EU 2017/2620/EU 2017/2621/EU 2017/2622/EU 2017/2623/EU 2017/2624/EU 2017/2625/EU 2017/2626/EU 2017/2627/EU 2017/2628/EU 2017/2629/EU 2017/2630/EU 2017/2631/EU 2017/2632/EU 2017/2633/EU 2017/2634/EU 2017/2635/EU 2017/2636/EU 2017/2637/EU 2017/2638/EU 2017/2639/EU 2017/2640/EU 2017/2641/EU 2017/2642/EU 2017/2643/EU 2017/2644/EU 2017/2645/EU 2017/2646/EU 2017/2647/EU 2017/2648/EU 2017/2649/EU 2017/2650/EU 2017/2651/EU 2017/2652/EU 2017/2653/EU 2017/2654/EU 2017/2655/EU 2017/2656/EU 2017/2657/EU 2017/2658/EU 2017/2659/EU 2017/2660/EU 2017/2661/EU 2017/2662/EU 2017/2663/EU 2017/2664/EU 2017/2665/EU 2017/2666/EU 2017/2667/EU 2017/2668/EU 2017/2669/EU 2017/2670/EU 2017/2671/EU 2017/2672/EU 2017/2673/EU 2017/2674/EU 2017/2675/EU 2017/2676/EU 2017/2677/EU 2017/2678/EU 2017/2679/EU 2017/2680/EU 2017/2681/EU 2017/2682/EU 2017/2683/EU 2017/2684/EU 2017/2685/EU 2017/2686/EU 2017/2687/EU 2017/2688/EU 2017/2689/EU 2017/2690/EU 2017/2691/EU 2017/2692/EU 2017/2693/EU 2017/2694/EU 2017/2695/EU 2017/2696/EU 2017/2697/EU 2017/2698/EU 2017/2699/EU 2017/2700/EU 2017/2701/EU 2017/2702/EU 2017/2703/EU 2017/2704/EU 2017/2705/EU 2017/2706/EU 2017/2707/EU 2017/2708/EU 2017/2709/EU 2017/2710/EU 2017/2711/EU 2017/2712/EU 2017/2713/EU 2017/2714/EU 2017/2715/EU 2017/2716/EU 2017/2717/EU 2017/2718/EU 2017/2719/EU 2017/2720/EU 2017/2721/EU 2017/2722/EU 2017/2723/EU 2017/2724/EU 2017/2725/EU 2017/2726/EU 2017/2727/EU 2017/2728/EU 2017/2729/EU 2017/2730/EU 2017/2731/EU 2017/2732/EU 2017/2733/EU 2017/2734/EU 2017/2735/EU 2017/2736/EU 2017/2737/EU 2017/2738/EU 2017/2739/EU 2017/2740/EU 2017/2741/EU 2017/2742/EU 2017/2743/EU 2017/2744/EU 2017/2745/EU 2017/2746/EU 2017/2747/EU 2017/2748/EU 2017/2749/EU 2017/2750/EU 2017/2751/EU 2017/2752/EU 2017/2753/EU 2017/2754/EU 2017/2755/EU 2017/2756/EU 2017/2757/EU 2017/2758/EU 2017/2759/EU 2017/2760/EU 2017/2761/EU 2017/2762/EU 2017/2763/EU 2017/2764/EU 2017/2765/EU 2017/2766/EU 2017/2767/EU 2017/2768/EU 2017/2769/EU 2017/2770/EU 2017/2771/EU 2017/2772/EU 2017/2773/EU 2017/2774/EU 2017/2775/EU 2017/2776/EU 2017/2777/EU 2017/2778/EU 2017/2779/EU 2017/2780/EU 2017/2781/EU 2017/2782/EU 201		