



Chipsmall Limited consists of a professional team with an average of over 10 year of expertise in the distribution of electronic components. Based in Hongkong, we have already established firm and mutual-benefit business relationships with customers from,Europe,America and south Asia,supplying obsolete and hard-to-find components to meet their specific needs.

With the principle of "Quality Parts,Customers Priority,Honest Operation,and Considerate Service",our business mainly focus on the distribution of electronic components. Line cards we deal with include Microchip,ALPS,ROHM,Xilinx,Pulse,ON,Everlight and Freescale. Main products comprise IC,Modules,Potentiometer,IC Socket,Relay,Connector.Our parts cover such applications as commercial,industrial, and automotives areas.

We are looking forward to setting up business relationship with you and hope to provide you with the best service and solution. Let us make a better world for our industry!



Contact us

Tel: +86-755-8981 8866 Fax: +86-755-8427 6832

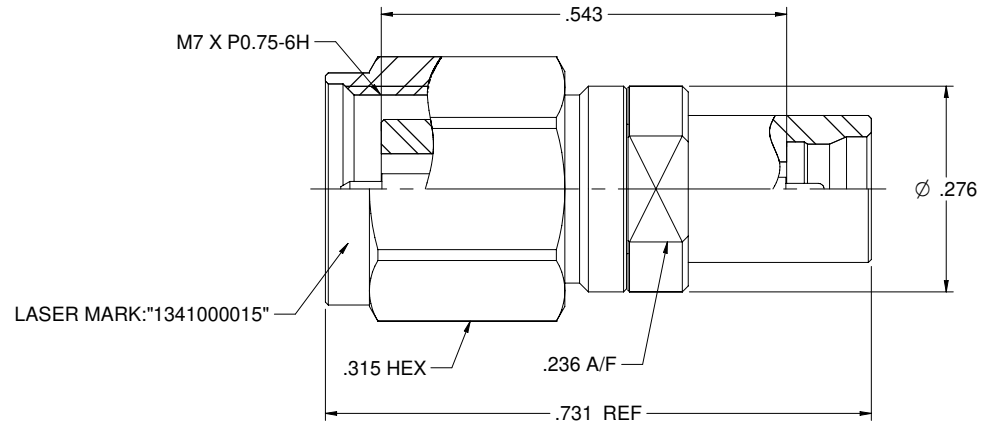
Email & Skype: info@chipsmall.com Web: www.chipsmall.com

Address: A1208, Overseas Decoration Building, #122 Zhenhua RD., Futian, Shenzhen, China



MODEL NO.	PACKAGING
134-1000-015	ONE PCS PER BAG

REV	ECO	DATE
001	ECO-17-0002	11/28/2017



NOTES: UNLESS OTHERWISE SPECIFIED

1. MATERIAL & FINISH:
 - 1.1 BODY, CONTACT BODY & SHELL: PASSIVATED STAINLESS STEEL
 - 1.2 CONTACT PIN : GOLD PLATED BERYLLIUM COPPER
 - 1.3 INSULATOR: ULTEM 1000 AMBER
 - 1.4 C RING: BERYLLIUM COPPER
 - 1.5 GASKET: SILICONE RED
2. ELECTRICAL:
 - 2.1 IMPEDANCE: 50 OHMS
 - 2.2 FREQUENCY RANGE: 0-40 GHz
 - 2.3 RETURN LOSS: -20DB MAX
 - 2.4 CONTACT RESISTANCE: CENTER CONTACT: 6 MILLIOHMS MAX
OUTERR CONTACT: 2.5 MILLIOHMS MAX
 - 2.5 INSULATION RESISTANCE: 5000 MOHM MIN
3. MECHANICAL:
 - 3.1 ENGAGEMENT / DISENGAGEMENT FORCE: 0.23 NM MAX (2.4MM)
45 N MAX (SMP) / 9 N MAX (SMP)
 - 3.2 COUPLING PROOF TORQUE: 1.65 NM MIN
 - 3.3 COUPLING NUT RETENTION: 267 N MIN
 - 3.4 CONTACT RETENTION: 20 N MIN
 - 3.5 DURABILITY: 500 CYCLES MIN
4. ENVIRONMENT:
 - 4.1 THERMAL SHOCK: MIL-STD-202, METHOD 107, CONDITION B.
 - 4.2 OPERATING TEMPERATURE: -55 TO 125°C
 - 4.3 SALT SPRAY: MIL-STD-202, METHOD 101, CONDITION B
 - 4.4 SHOCK: MIL-STD-202, METHOD 213, CONDITION I
 - 4.5 VIBRATION: MIL-STD-202, METHOD 204, CONDITION D
 - 4.6 MOISTURE RESISTANCE: MIL-STD-202, METHOD 106

Model No. 134-1000-015		Johnson	
RoHS2 2011/85/EU		PART: ADAPTER ASSEMBLY, 2.4mm PLUG TO SMP PLUG (LIMITED DETENT)	
DATE: 10/27/2017		DRAWING No. 134-1000-015	
DESIGNED BY: Betty Yu		REV: 001	
CHECKED BY: JXXX - 01		DO NOT SCALE DRAWING	
APPROVED BY: ANGLESH-10		INTERCOMP. REF: NONE	
		Sheet 1 of 1	