



Chipsmall Limited consists of a professional team with an average of over 10 year of expertise in the distribution of electronic components. Based in Hongkong, we have already established firm and mutual-benefit business relationships with customers from,Europe,America and south Asia,supplying obsolete and hard-to-find components to meet their specific needs.

With the principle of "Quality Parts,Customers Priority,Honest Operation,and Considerate Service",our business mainly focus on the distribution of electronic components. Line cards we deal with include Microchip,ALPS,ROHM,Xilinx,Pulse,ON,Everlight and Freescale. Main products comprise IC,Modules,Potentiometer,IC Socket,Relay,Connector.Our parts cover such applications as commercial,industrial, and automotives areas.

We are looking forward to setting up business relationship with you and hope to provide you with the best service and solution. Let us make a better world for our industry!



## Contact us

Tel: +86-755-8981 8866 Fax: +86-755-8427 6832

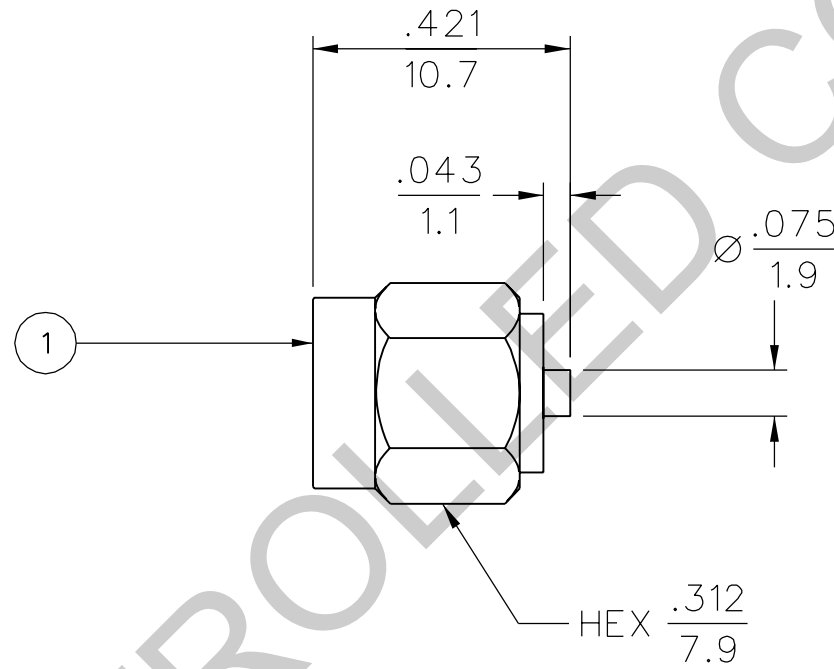
Email & Skype: info@chipsmall.com Web: www.chipsmall.com

Address: A1208, Overseas Decoration Building, #122 Zhenhua RD., Futian, Shenzhen, China



PART NUMBER	ITEM ① UMC TO SMA JACK CONVERSION ADAPTER
134-1019-361	BODY - STAINLESS STEEL - GOLD PLATED CONTACT - BRASS - GOLD PLATED NUT - STAINLESS STEEL - PASSIVATED INSULATOR - FLUORINE PLASTICS GASKET - RUBBER

DRAWING NO.	
B- 134-1019-361/370	
0	REVISIONS
ENGINEERING RELEASE	
1	12-1-06 P A T   S B D   R J B   P D W   12-27-06 ECN 50793



CUSTOMER DRAWING

THIS DRAWING TO BE INTERPRETED  
PER ASME Y 14.5M - 1994

"μ STATION"

COMPANY CONFIDENTIAL

NOTES:

1. SPECIFICATIONS:

IMPEDANCE: 50 OHMS  
FREQUENCY RANGE: 0-6 GHz  
VSWR: 1.30 MAX AT 0-6 GHz

MECHANICAL (UMC):

COMPATIBILITY: MATES WITH U.FL SERIES  
DISENGAGEMENT FORCE (MIN): 0.15 N (FEMALE CONTACT)  
DURABILITY: 3000 CYCLES

ENVIRONMENTAL:

TEMPERATURE RANGE: -40° C TO +90° C

2. APPLICATION:

PLEASE USE THIS CONNECTOR FOR  
MEASURING THE PROPAGATION  
PERFORMANCE.

TOLERANCE UNLESS OTHERWISE SPECIFIED		DRAWN BY	DATE
DECIMALS	mm	SBD	11/29/06
.XX	_____	CHECKED BY	DATE
.XXX	REF _____	RJB	12-13-06
MATL _____		APPROVED BY	DATE
		PDW	12-22-06
FINISH _____		RELEASE DATE	12-27-06
		U/M INCH/mm	SCALE 3:1


**cinch**  
 CONNECTIVITY SOLUTIONS  
a bel group

**Cinch Connectivity Solutions**  
 P.O. Box 1732  
 Waseca, MN 56093  
 1-800-247-8256

TITLE	
UMC JACK TO SMA PLUG CONVERSION JACK ADAPTER	

SHEET	DRAWING NO.
2 OF 2	B - 134-1019-361/370