



Chipsmall Limited consists of a professional team with an average of over 10 year of expertise in the distribution of electronic components. Based in Hongkong, we have already established firm and mutual-benefit business relationships with customers from,Europe,America and south Asia,supplying obsolete and hard-to-find components to meet their specific needs.

With the principle of “Quality Parts,Customers Priority,Honest Operation,and Considerate Service”,our business mainly focus on the distribution of electronic components. Line cards we deal with include Microchip,ALPS,ROHM,Xilinx,Pulse,ON,Everlight and Freescale. Main products comprise IC,Modules,Potentiometer,IC Socket,Relay,Connector.Our parts cover such applications as commercial,industrial, and automotives areas.

We are looking forward to setting up business relationship with you and hope to provide you with the best service and solution. Let us make a better world for our industry!



Contact us

Tel: +86-755-8981 8866 Fax: +86-755-8427 6832

Email & Skype: info@chipsmall.com Web: www.chipsmall.com

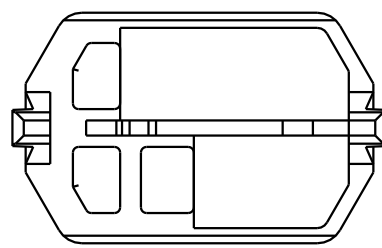
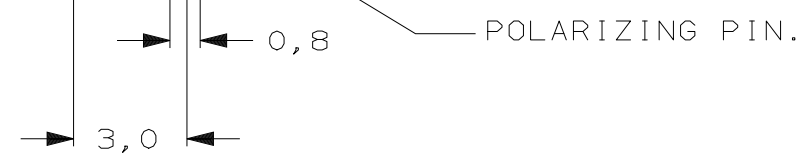
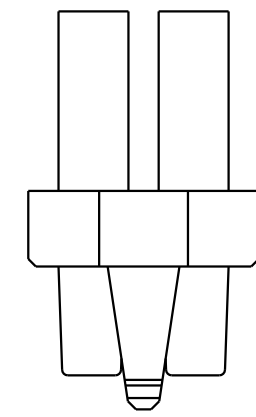
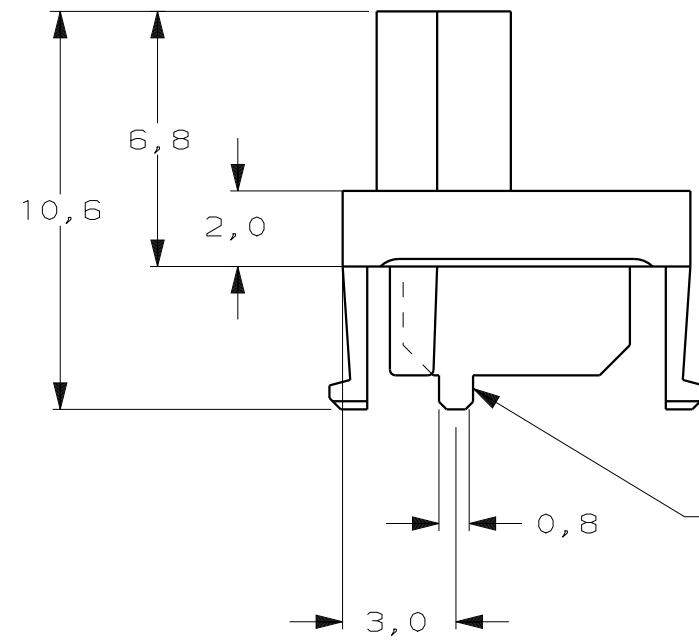
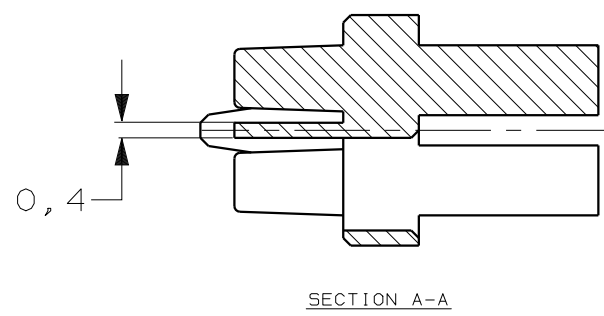
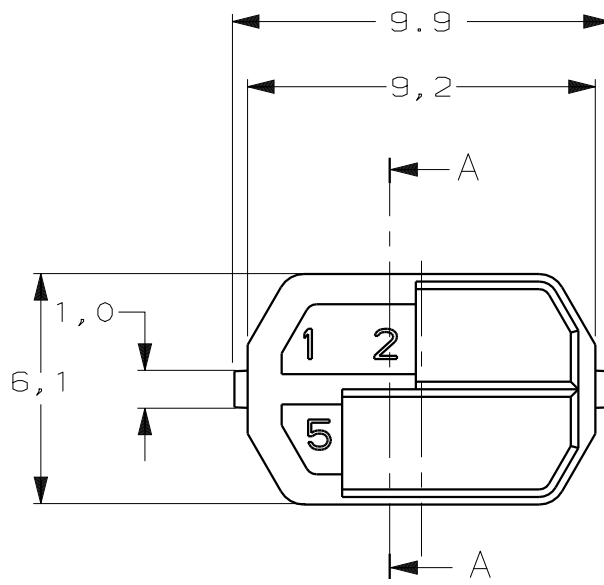
Address: A1208, Overseas Decoration Building, #122 Zhenhua RD., Futian, Shenzhen, China



DO NOT SCALE
DIMENSIONS IN mm


METRIC

THIRD ANGLE
PROJECTION



NOTES:

- 1 THIS DRAWING SHOWS CODING KEY 1345023-1 WITH CODE NUMBER 125-. THIS CODING KEY FITS BOTH THE 5 ROW AND 8 ROW CONNECTOR SYSTEM.
- 2 MATERIAL: GLASSFILLED POLYAMIDE 6.6.;
- 3 THIS CODING KEY HAS THREE BLOCKING PINS AND FIVE CAVITIES. THE NUMBERS ON TOP OF THE BLOCKING PINS FORM THE THREE-FIGURE IDENTIFICATION NUMBER (ASCENDING).

MATES WITH MALE KEYS:				FEMALE KEY			
6-100525-9	OCHER YELLOW	4678	1024				
6-100525-1	STEEL BLUE	3478	5011				
5-100525-9	SLATE GREY	3467	7015	7015	SLATE GREY	125-	1345023-1
PARTNUMBER	COLOUR	ID. NUMBER	RAL NR.	RAL NR.	COLOUR	ID. NUMBER	PARTNUMBER
-				CUSTOMER DRAWING FOR REFERENCE ONLY WILL NOT BE UPDATED			
-				© COPYRIGHT 1999 BY AMP HOLLAND B.V. ALL INTERNATIONAL RIGHTS RESERVED. AMP PRODUCTS MAY BE COVERED BY U.S. AND FOREIGN AND/OR PATENTS PENDING.			
-				THIS DRAWING IS UNPUBLISHED RELEASED FOR PUBLICATION			
-				 AMP HOLLAND B.V. 's-Hertogenbosch, The Netherlands.			
B EH-0164-00				NAME Z-PACK 2mm HM FEMALE CODING KEY			
LTR.	REVISION RECORD		DR.	CHK.	DATE		
DR.:	L.v.d.HEIJDEN	CHK.:	D. TRUREN	APP.:	F.v.KONINGSBRUGGE	DWG.No.	REV.LTR.
DATE:	28-APR-99	DATE:	28-APR-99	DATE:	-	C-1345023-1	B
						SHEET	1 OF 1
						A3	