



Chipsmall Limited consists of a professional team with an average of over 10 year of expertise in the distribution of electronic components. Based in Hongkong, we have already established firm and mutual-benefit business relationships with customers from,Europe,America and south Asia,supplying obsolete and hard-to-find components to meet their specific needs.

With the principle of “Quality Parts,Customers Priority,Honest Operation,and Considerate Service”,our business mainly focus on the distribution of electronic components. Line cards we deal with include Microchip,ALPS,ROHM,Xilinx,Pulse,ON,Everlight and Freescale. Main products comprise IC,Modules,Potentiometer,IC Socket,Relay,Connector.Our parts cover such applications as commercial,industrial, and automotives areas.

We are looking forward to setting up business relationship with you and hope to provide you with the best service and solution. Let us make a better world for our industry!



Contact us

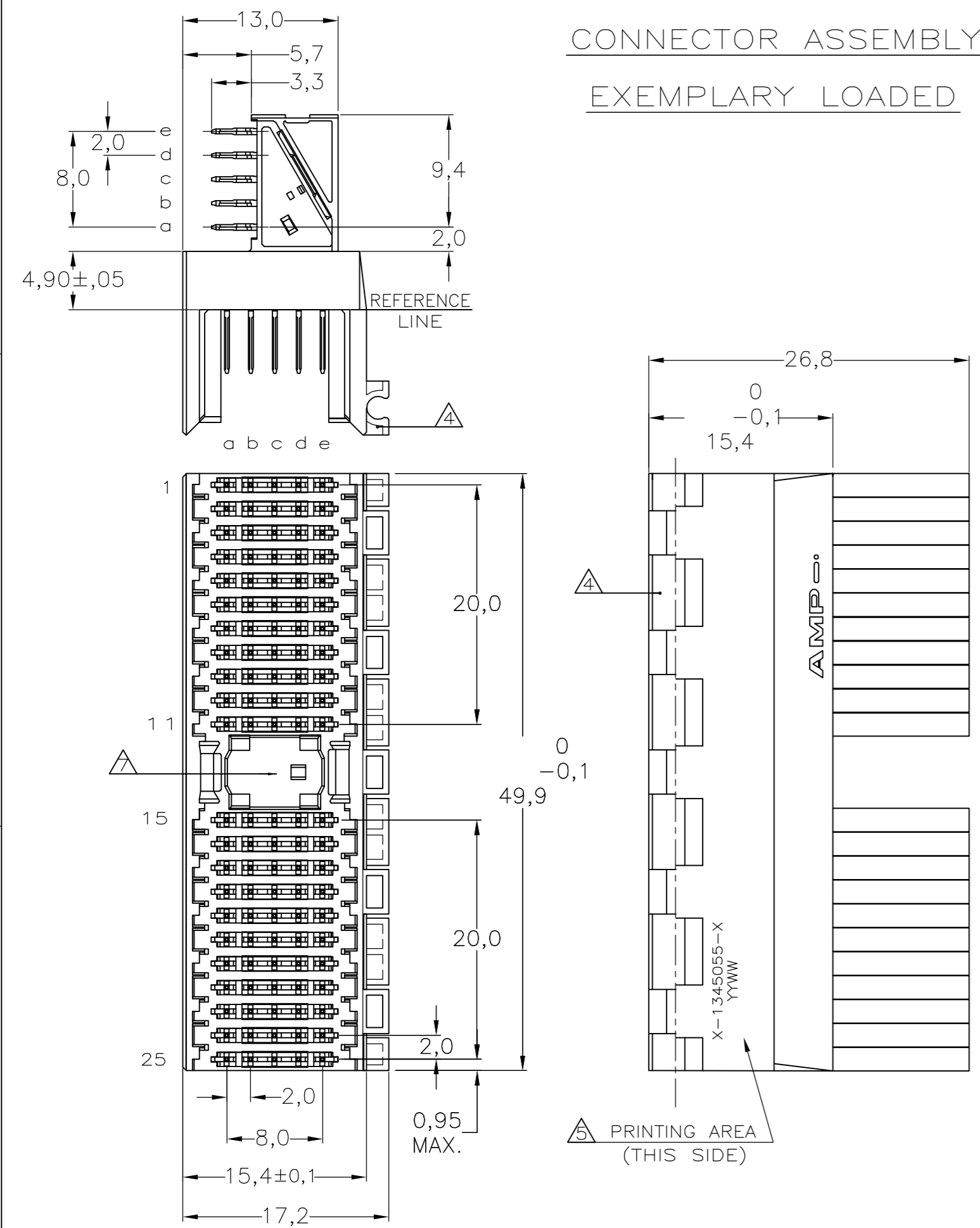
Tel: +86-755-8981 8866 Fax: +86-755-8427 6832

Email & Skype: info@chipsmall.com Web: www.chipsmall.com

Address: A1208, Overseas Decoration Building, #122 Zhenhua RD., Futian, Shenzhen, China

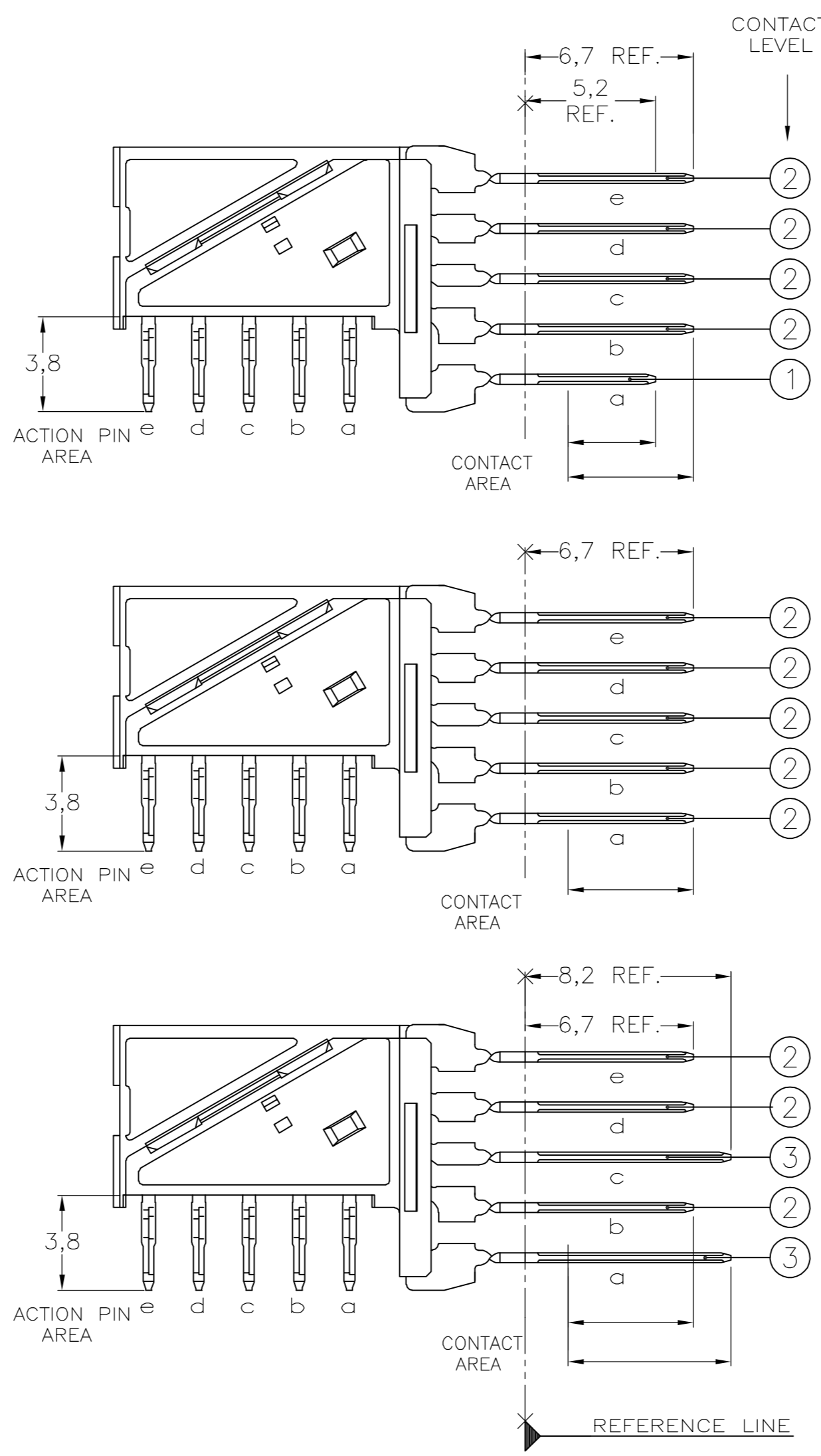


THIS DRAWING IS UNPUBLISHED. RELEASED FOR PUBLICATION
 © COPYRIGHT BY TYCO ELECTRONICS CORPORATION. ALL RIGHTS RESERVED.



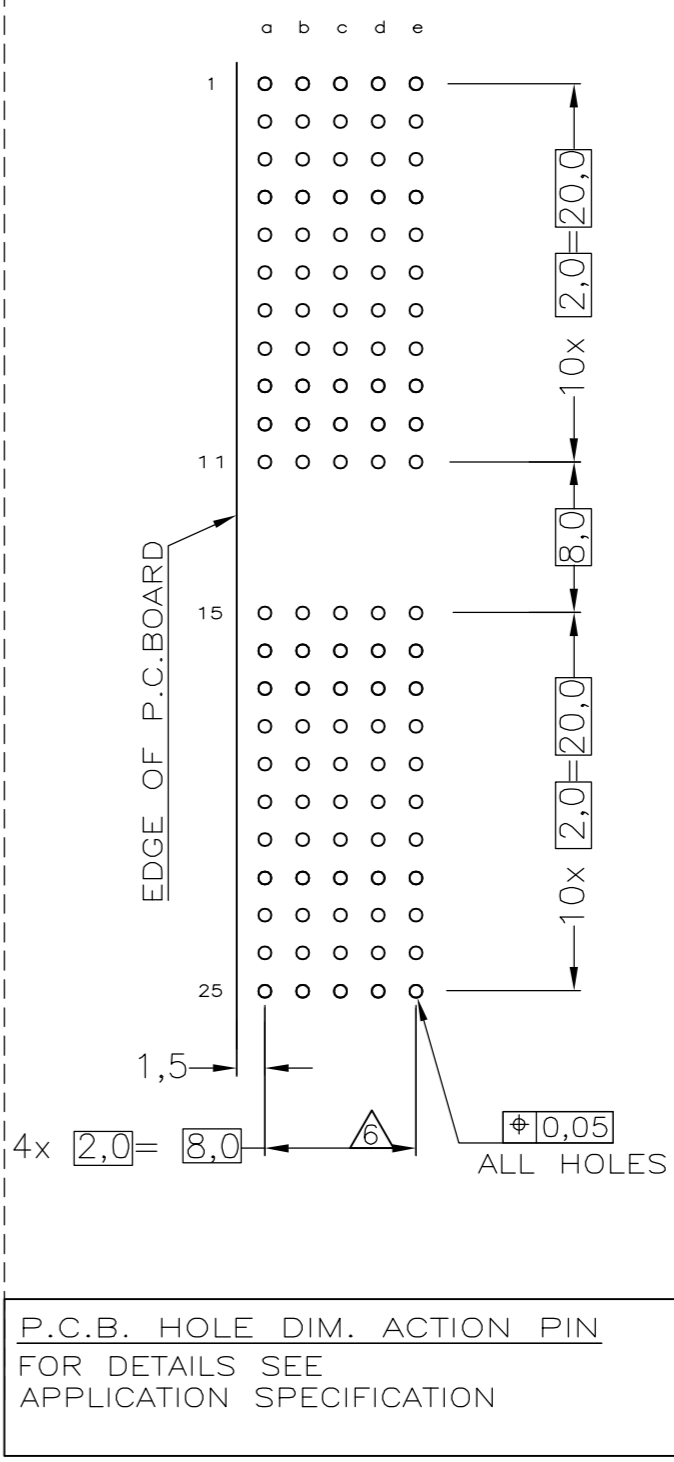
- NOTES:
- ▲ MATERIAL HOUSING : GREY GLASSFILLED POLYESTER
CONTACT : PHOSPHORBRONZE
 - ▲ GENERAL PLATING SPECIFICATION: UNDERPLATING (ENTIRE CONTACT): 1,27µm NICKEL MIN. AND ACTION PIN: 0,5µm TIN-LEAD MIN. FOR PLATING OF MATING SURFACES SEE APPLICABLE SPECIFICATION REFERENCE FOR EACH DASH NUMBER.
 - ▲ CONFORMS TO ALL TESTING ACCORDING IEC 61076-4-101 PERFORMANCE LEVEL 2.
 - ▲ CONNECTOR ASSEMBLY WITH LATCH HINGE FOR CABLE CONNECTOR.
 - ▲ CONNECTOR PRINTED WITH PARTNUMBER AND DATECODE
 - ▲ PLATED-THROUGH HOLES AT 2x2mm SQUARE GRID.
 - ▲ AREA FOR KEYING PART (BASIC PART NUMBER 100525).

CONTACT DIMENSIONS

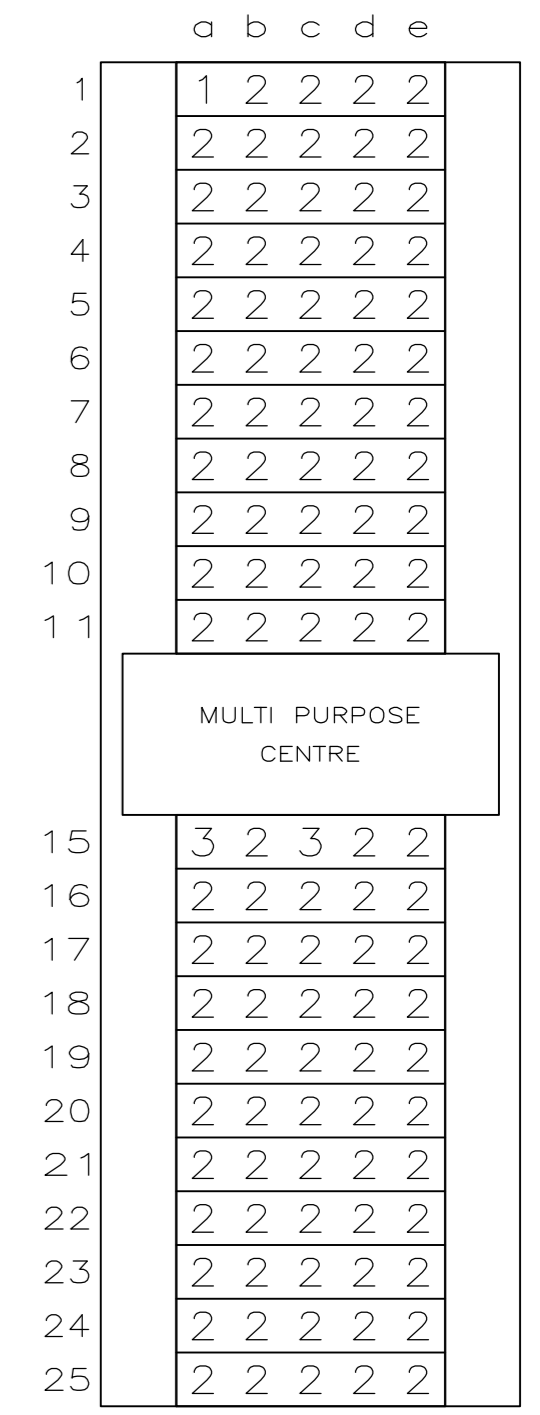


Loc	DIST	REVISIONS			
P	LTR	DESCRIPTION	DATE	DWN	APVD
	C	EHC0-0195-04	07-07-04	DvdB	BM
	D	EH10-0680-05	06-06-05	BSV	BM
	D1	ECR-06-002635	07-02-06	BSV	BM

RECOMMENDED PCB-HOLE LAY-OUT
COMPONENT SIDE SHOWN



CONTACT LAYOUT



P.C.B. HOLE DIM. ACTION PIN
FOR DETAILS SEE
APPLICATION SPECIFICATION

▲▲	▲	1-1345055-1 ▲
▲▲	▲	1345055-1
CONTACT FINISH	MATERIAL	PARTNUMBER

THIS DRAWING IS A CONTROLLED DOCUMENT.		DWN L.v.d.HEIJDEN 18MAY99	tyco Electronics		Tyco Electronics Corporation s-HertogenBosch, Netherlands,	
DIMENSIONS: MM		CHK D. TRUREN			NAME F.v.KONINGSBRUGGE	
TOLERANCES UNLESS OTHERWISE SPECIFIED:		APVD -	PRODUCT SPEC		APPLICATION SPEC	
0 PLC ± -		114-19029		SIZE A2		CAGE CODE 00779
1 PLC ± -		WEIGHT -		DRAWING NO C=1345055		RESTRICTED TO -
2 PLC ± -		CUSTOMER DRAWING		SCALE NTS		SHEET 1 OF 1
3 PLC ± -						REV D1
4 PLC ± -						
ANGLES ± -						
FINISH -						