



Chipsmall Limited consists of a professional team with an average of over 10 year of expertise in the distribution of electronic components. Based in Hongkong, we have already established firm and mutual-benefit business relationships with customers from,Europe,America and south Asia,supplying obsolete and hard-to-find components to meet their specific needs.

With the principle of “Quality Parts,Customers Priority,Honest Operation,and Considerate Service”,our business mainly focus on the distribution of electronic components. Line cards we deal with include Microchip,ALPS,ROHM,Xilinx,Pulse,ON,Everlight and Freescale. Main products comprise IC,Modules,Potentiometer,IC Socket,Relay,Connector.Our parts cover such applications as commercial,industrial, and automotives areas.

We are looking forward to setting up business relationship with you and hope to provide you with the best service and solution. Let us make a better world for our industry!



Contact us

Tel: +86-755-8981 8866 Fax: +86-755-8427 6832

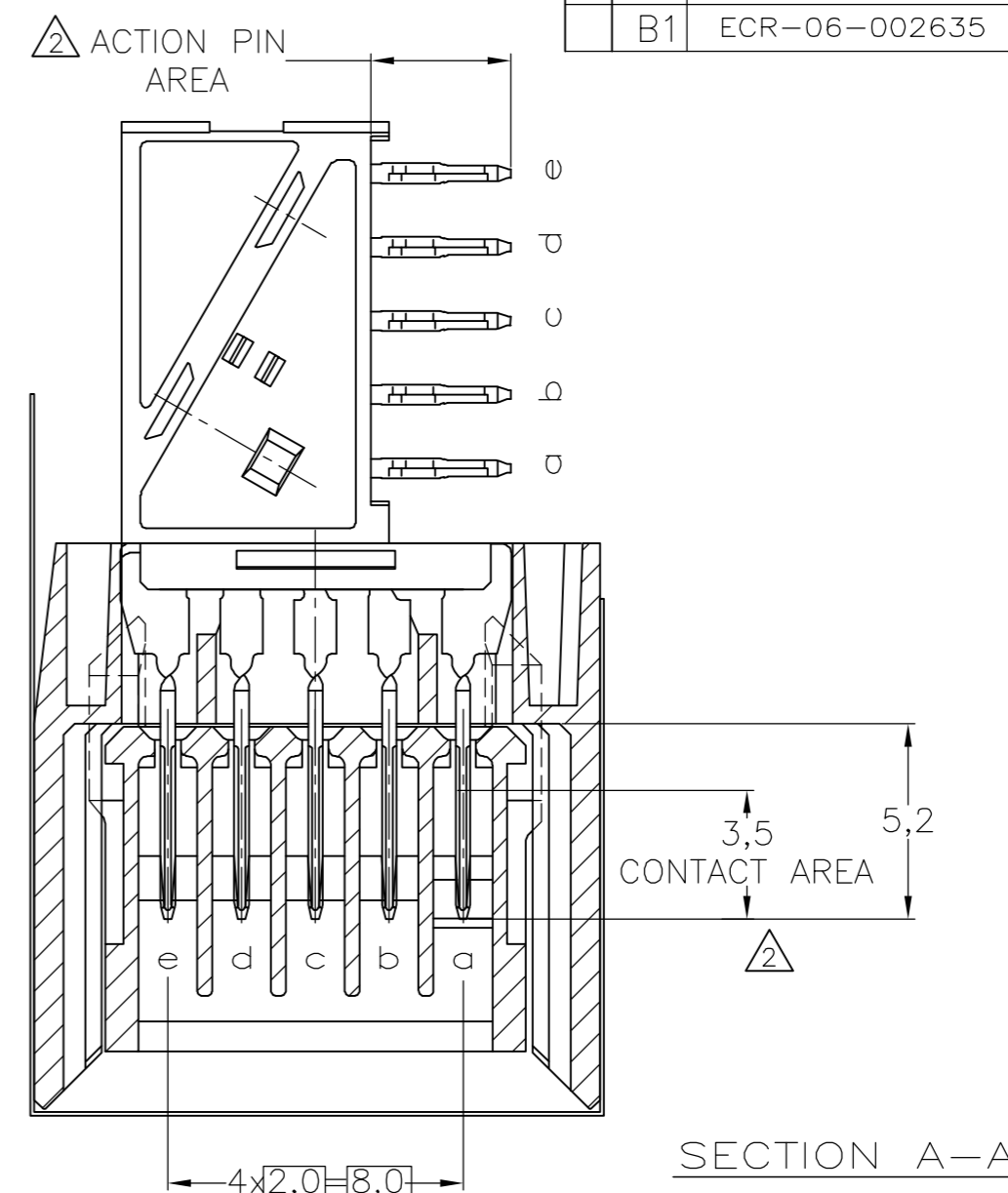
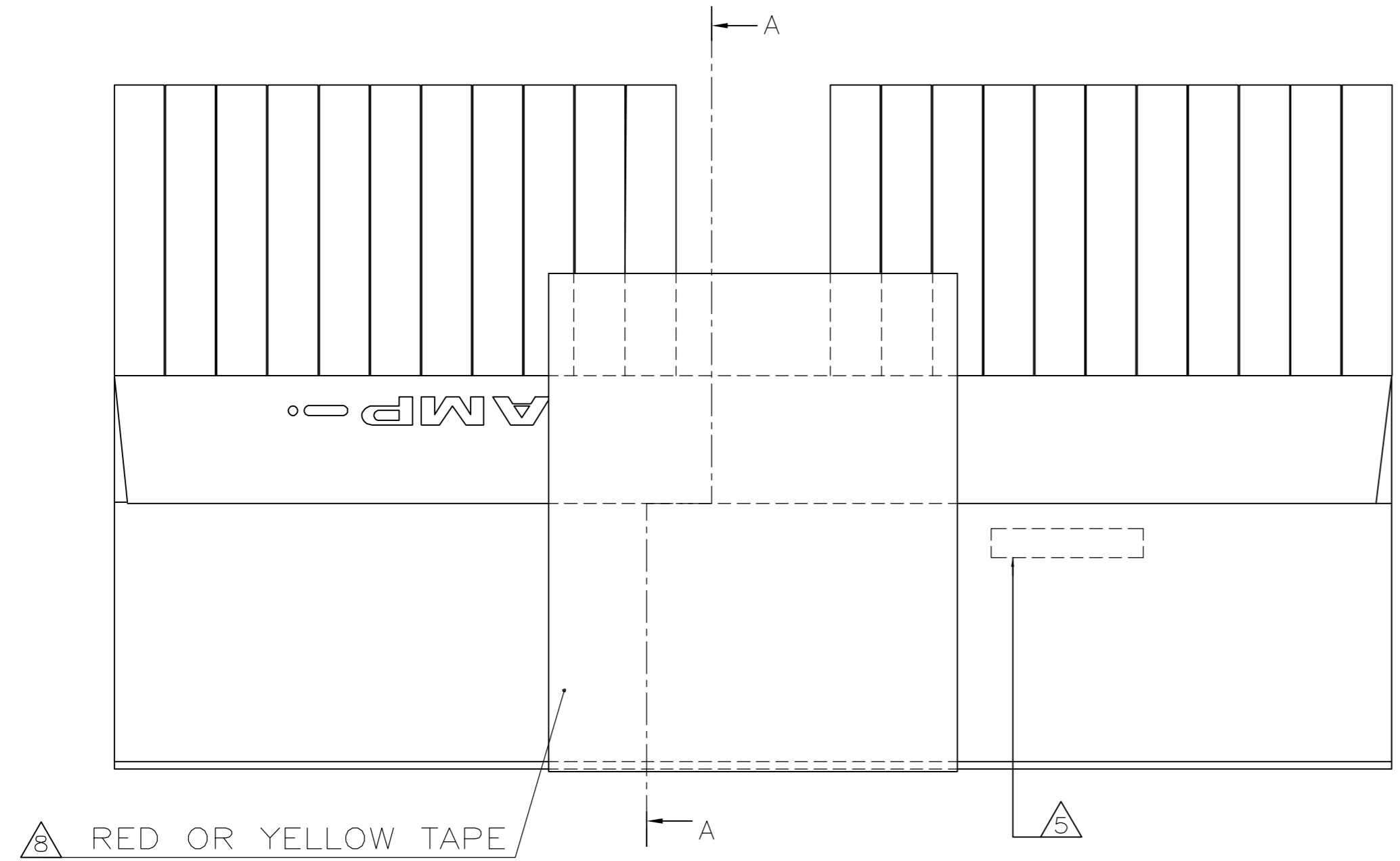
Email & Skype: info@chipsmall.com Web: www.chipsmall.com

Address: A1208, Overseas Decoration Building, #122 Zhenhua RD., Futian, Shenzhen, China

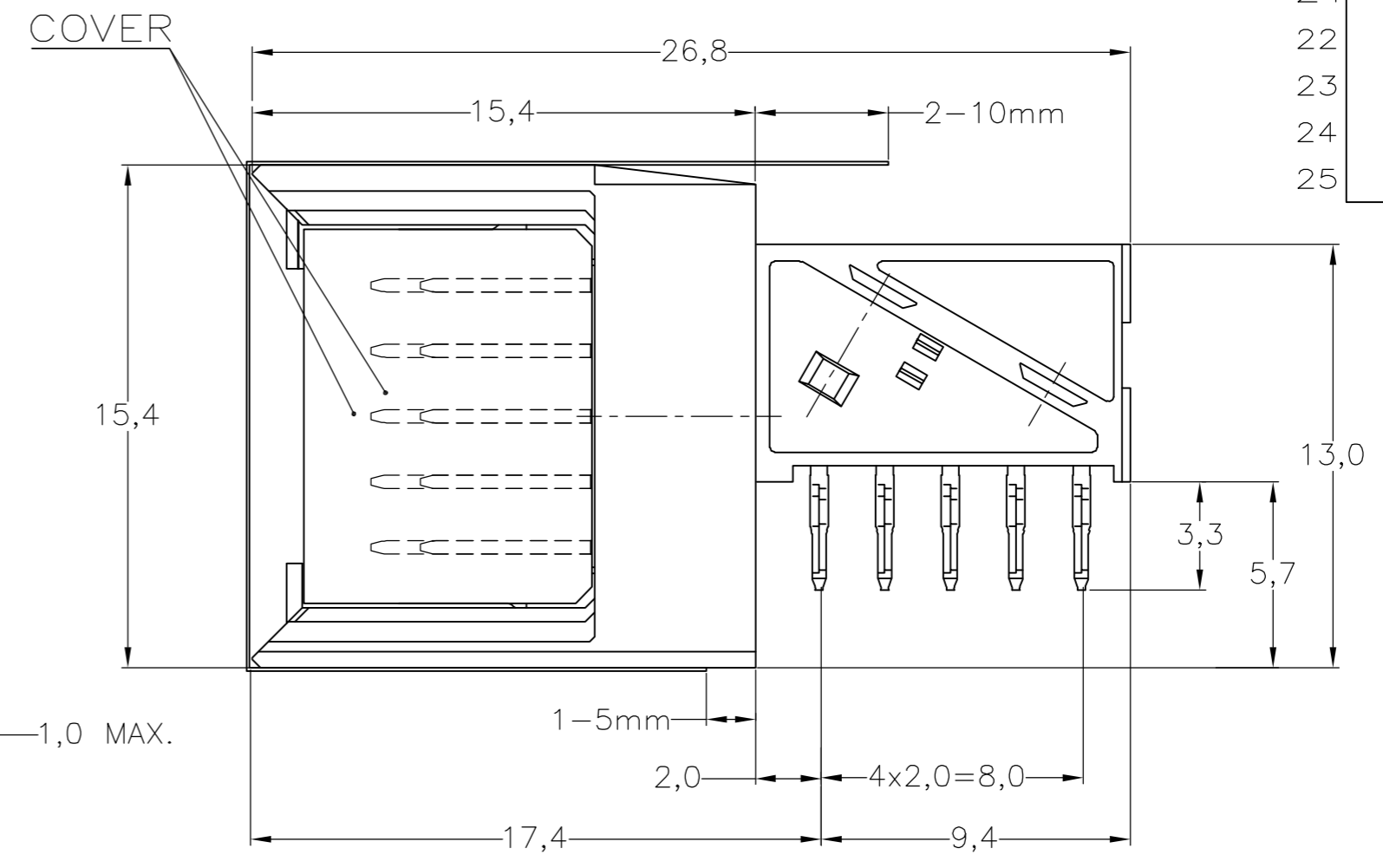
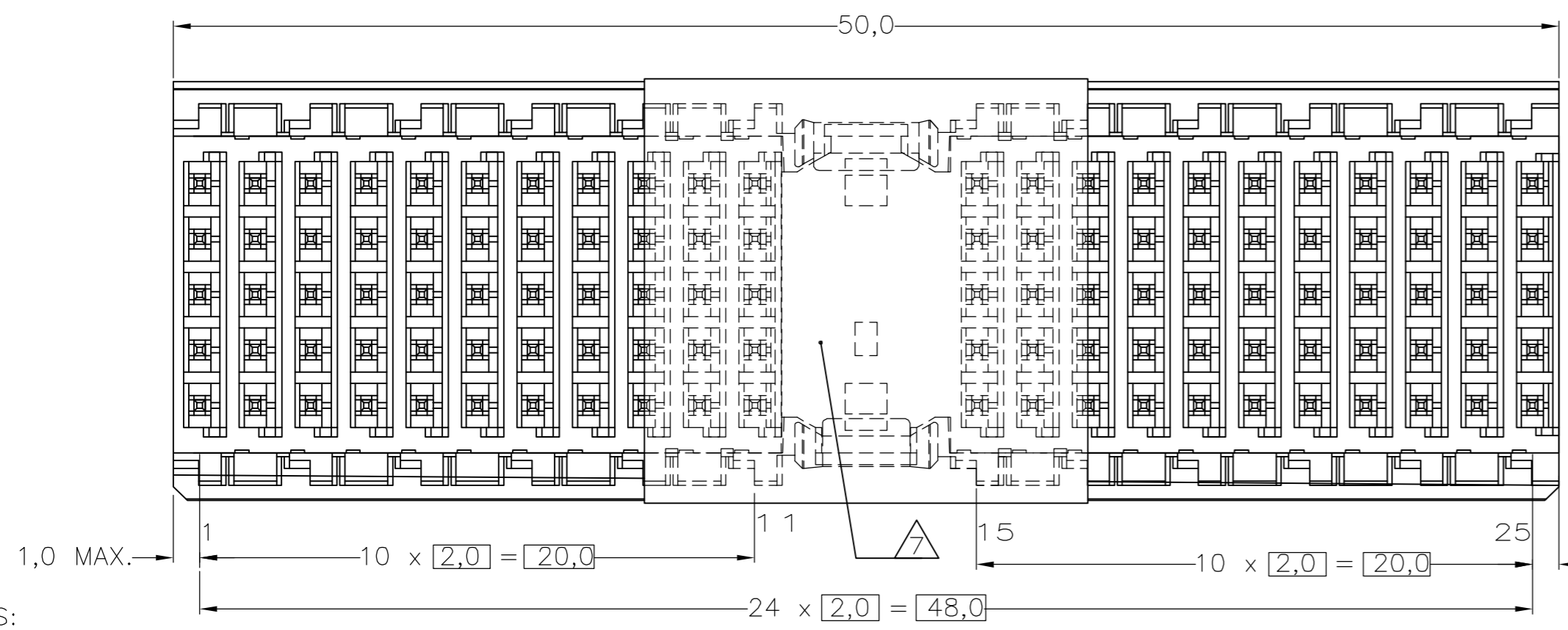


THIS DRAWING IS UNPUBLISHED. RELEASED FOR PUBLICATION
 © COPYRIGHT BY TYCO ELECTRONICS CORPORATION. ALL RIGHTS RESERVED.

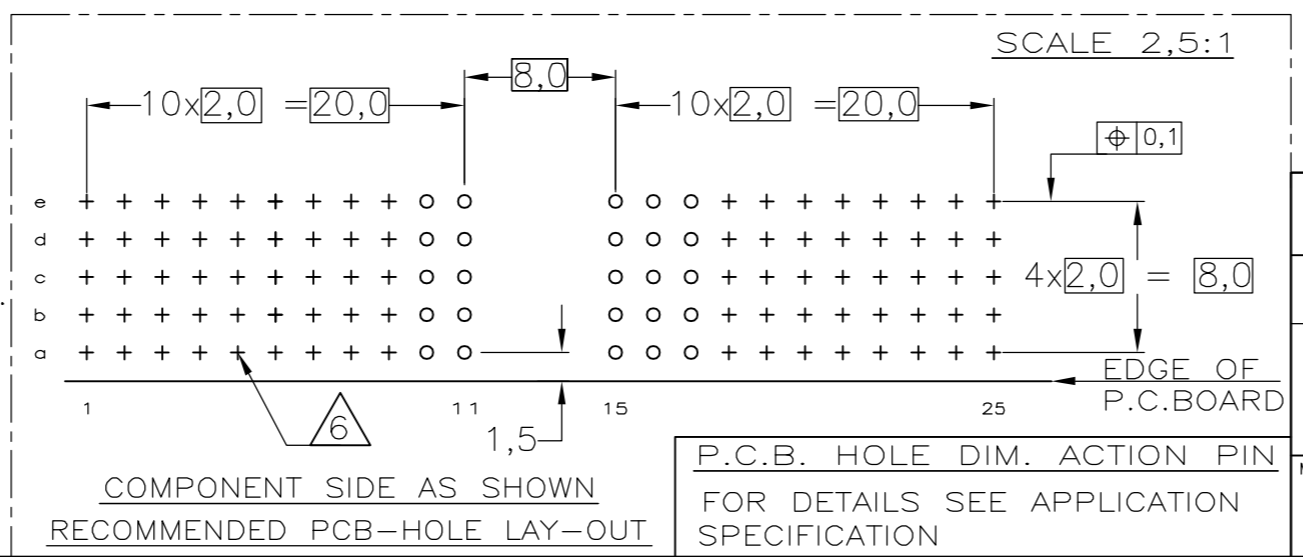
Loc		DIST		REVISIONS			
P	LTR	DESCRIPTION		DATE	DWN	APVD	
A		SR10-0116-03		10-04-03	DP	-	
B		EH10-0680-05		06-06-05	BSV	BM	
B1		ECR-06-002635		07-02-06	BSV	BM	



	a	b	c	d	e
1	1	1	1	1	1
2	1	1	1	1	1
3	1	1	1	1	1
4	1	1	1	1	1
5	1	1	1	1	1
6	1	1	1	1	1
7	1	1	1	1	1
8	1	1	1	1	1
9	1	1	1	1	1
10	1	1	1	1	1
11	1	1	1	1	1
MULTI PURPOSE CENTRE					
15	1	1	1	1	1
16	1	1	1	1	1
17	1	1	1	1	1
18	1	1	1	1	1
19	1	1	1	1	1
20	1	1	1	1	1
21	1	1	1	1	1
22	1	1	1	1	1
23	1	1	1	1	1
24	1	1	1	1	1
25	2	2	2	2	2



- NOTES:
- △ MATERIAL CONTACT; PHOSPHORBRONZE MATERIAL HOUSING; GLASSFILLED POLYESTER, UL94-V0 (GRAY)
 - △ GENERAL PLATING SPECIFICATION: UNDERPLATING (ENTIRE CONTACT): 1,27µm NICKEL MIN. AND ACTION PIN: 0,5µm TIN-LEAD MIN. FOR PLATING OF MATING SURFACES SEE APPLICABLE SPECIFICATION REFERENCE FOR EACH DASH NUMBER.
 - △ CONNECTOR TESTED AND QUALIFIED AGAINST TELCORDIA GR-1217-CORE QUALITY LEVEL III, CENTRAL OFFICE APPLICATIONS.
 - △ CONNECTOR LUBRICATED WITH TELCORDIA GR-1217-CORE APPROVED LUBRICANT.
 - △ CONNECTOR PRINTED WITH PARTNUMBER AND DATECODE
 - △ PLATED-THROUGH HOLES AT 2x2mm SQUARE GRID. 110 HOLES.
 - △ AREA RESERVED FOR KEYING PART (BASIC P.N. 100525)
 - △ TAPE TO FIX COVER, HAS TO BE REMOVED BEFORE MATING.



THIS DRAWING IS A CONTROLLED DOCUMENT.		DWN	090CT99	1345154-9	
DIMENSIONS: MM		CHK	090CT99	FINISH	2 3 4
TOLERANCES UNLESS OTHERWISE SPECIFIED:		APVD	-	MATERIAL	△
0 PLC	± -	PRODUCT SPEC	-	PARTNUMBER	
1 PLC	± -	APPLICATION SPEC	114-19029	Tyco Electronics Corporation	
2 PLC	± -	WEIGHT	-	s-HertogenBosch, Netherlands,	
3 PLC	± -	CUSTOMER DRAWING	-	Z-PACK 2MM HM TYPE A	
4 PLC	± -	SCALE	NTS	110 POS. MALE RIGHT ANGLE CONNECTOR WITH PROTECTIVE COVER.	
ANGLES	± -	SHEET	1 OF 1	DRAWING NO	
FINISH	-	REV	B1	CAGE CODE	
MATERIAL		CUSTOMER DRAWING		DRAWING NO	
-		-		A2 00779 C=1345154	
-		-		RESTRICTED TO	
-		-		-	