



Chipsmall Limited consists of a professional team with an average of over 10 year of expertise in the distribution of electronic components. Based in Hongkong, we have already established firm and mutual-benefit business relationships with customers from,Europe,America and south Asia,supplying obsolete and hard-to-find components to meet their specific needs.

With the principle of “Quality Parts,Customers Priority,Honest Operation,and Considerate Service”,our business mainly focus on the distribution of electronic components. Line cards we deal with include Microchip,ALPS,ROHM,Xilinx,Pulse,ON,Everlight and Freescale. Main products comprise IC,Modules,Potentiometer,IC Socket,Relay,Connector.Our parts cover such applications as commercial,industrial, and automotives areas.

We are looking forward to setting up business relationship with you and hope to provide you with the best service and solution. Let us make a better world for our industry!



Contact us

Tel: +86-755-8981 8866 Fax: +86-755-8427 6832

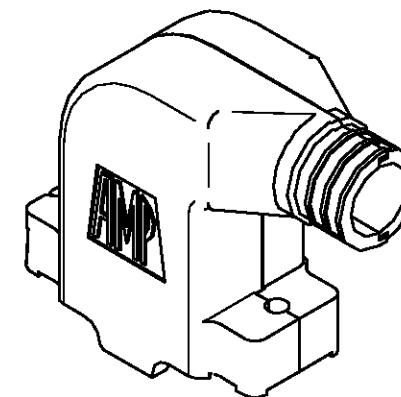
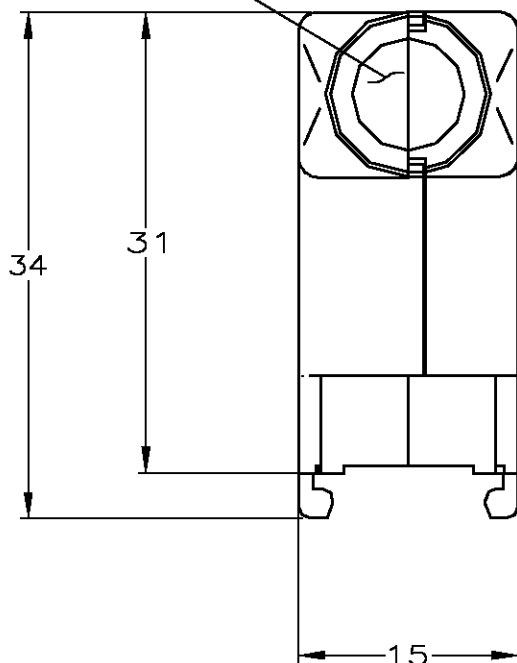
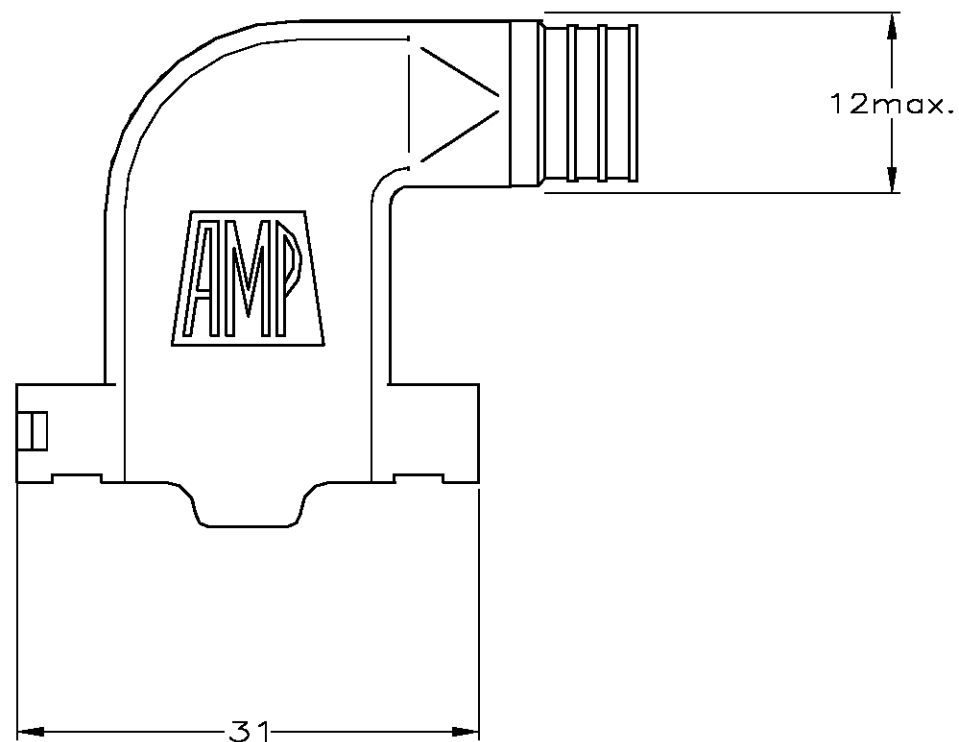
Email & Skype: info@chipsmall.com Web: www.chipsmall.com

Address: A1208, Overseas Decoration Building, #122 Zhenhua RD., Futian, Shenzhen, China



LOC	DIST	REVISIONS			
P	LTR	DESCRIPTION	DATE	DWN	APVD
A	-	A	ECR-05-007048	22 JUL 05	JvdH JB

CABLE DIAMETER 7,5 MAX.



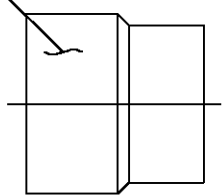
NOTES:

- 1 PART PACKED UNASSEMBLED.
- 2 KIT CONTAINS OF TWO CABLE CLAMP HALVES.
- 3 BULKPACKAGE OF 100 KITS.

SUPERSEDED BY 134752-3

INDIVIDUAL KIT.	2	NICKEL	WITH	134752 -3
BULKPACKAGE.	3	NICKEL	WITH	134752 -2
BULKPACKAGE.	3	PLAIN	WITH	134752 -1
		FINISH	LOGO	PART NUMBER

FERRULE TO BE ORDERED SEPARATELY.



CABLE OUTSIDE DIAMETER	N° Ferrule
4,2-6,2	747579-8
6,2-8,2	1-747579-0
8,2-9,5	1-747579-1
9,5-11,1	1-747579-2

THIS DRAWING IS A CONTROLLED DOCUMENT.		DWN JP PICAUD 21.IX.88	Tyco Electronics, Nederland BV 's-Hertogenbosch, Netherlands	
DIMENSIONS: mm		CHK -	NAME	
TOLERANCES UNLESS OTHERWISE SPECIFIED:		APVD -	90 DEGREES AMPLIMITE CABLE CLAMP SIZE 1	
0 PLC ± -		PRODUCT SPEC -	-	
1 PLC ± -		APPLICATION SPEC -	SIZE A3	CAGE CODE 00779
2 PLC ± -		WEIGHT -	DRAWING NO C=134752	
3 PLC ± -		CUSTOMER DRAWING	RESTRICTED TO -	
4 PLC ± -			SCALE 2:1	SHEET 1 OF 1
ANGLES ± -			REV A	
MATERIAL ZAMAK	FINISH SEE TABLE.			