



Chipsmall Limited consists of a professional team with an average of over 10 year of expertise in the distribution of electronic components. Based in Hongkong, we have already established firm and mutual-benefit business relationships with customers from,Europe,America and south Asia,supplying obsolete and hard-to-find components to meet their specific needs.

With the principle of “Quality Parts,Customers Priority,Honest Operation,and Considerate Service”,our business mainly focus on the distribution of electronic components. Line cards we deal with include Microchip,ALPS,ROHM,Xilinx,Pulse,ON,Everlight and Freescale. Main products comprise IC,Modules,Potentiometer,IC Socket,Relay,Connector.Our parts cover such applications as commercial,industrial, and automotives areas.

We are looking forward to setting up business relationship with you and hope to provide you with the best service and solution. Let us make a better world for our industry!



## Contact us

Tel: +86-755-8981 8866 Fax: +86-755-8427 6832

Email & Skype: info@chipsmall.com Web: www.chipsmall.com

Address: A1208, Overseas Decoration Building, #122 Zhenhua RD., Futian, Shenzhen, China



PART NUMBER	ITEM ① BODY	ITEM ② CONTACT	ITEM ③ INSULATOR	PACKAGING
135-3711-801	BRASS GOLD PL .00001 MIN OVER NICKEL PL .00005 MIN OVER COPPER PL .00005 MIN	BERYLLIUM COPPER GOLD PL .00003 MIN OVER NICKEL PL .00005 MIN OVER COPPER PL .00005 MIN	TEFLON	BULK PACK 25 PCS.
135-3711-802	BRASS GOLD PL .00001 MIN OVER NICKEL PL .00005 MIN OVER COPPER PL .00005 MIN	BERYLLIUM COPPER GOLD PL .00003 MIN OVER NICKEL PL .00005 MIN OVER COPPER PL .00005 MIN	TEFLON	TAPE AND REEL 1000 PCS. PER FIG 1

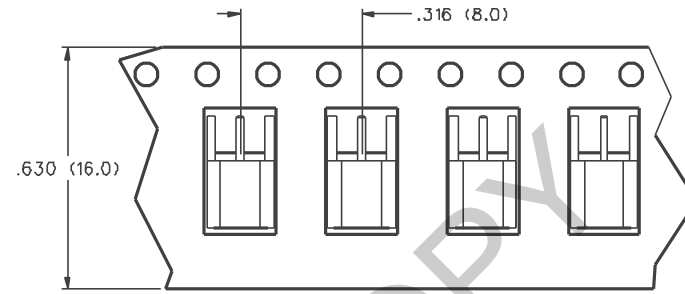
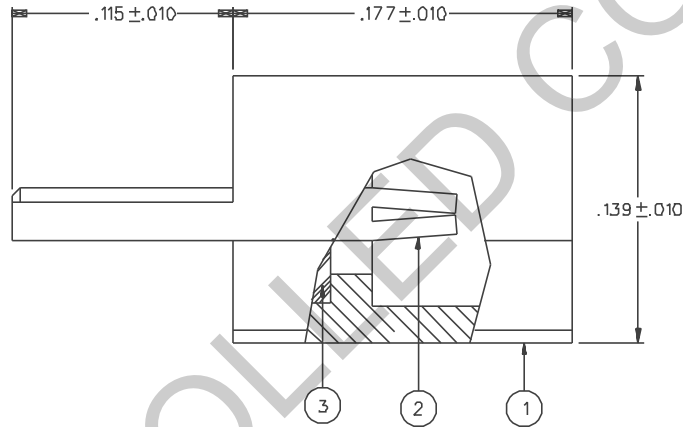
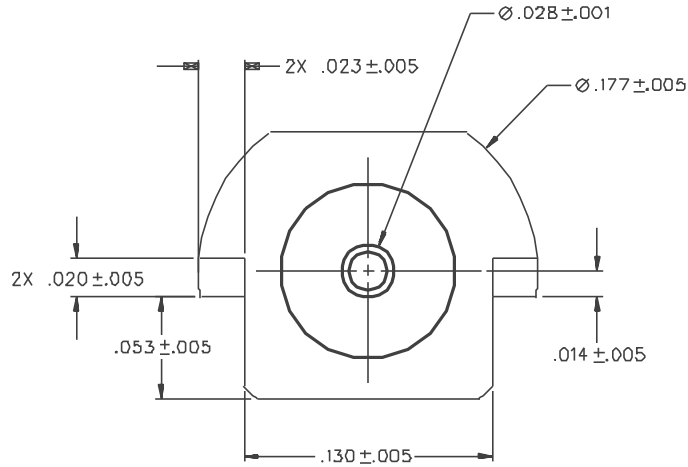
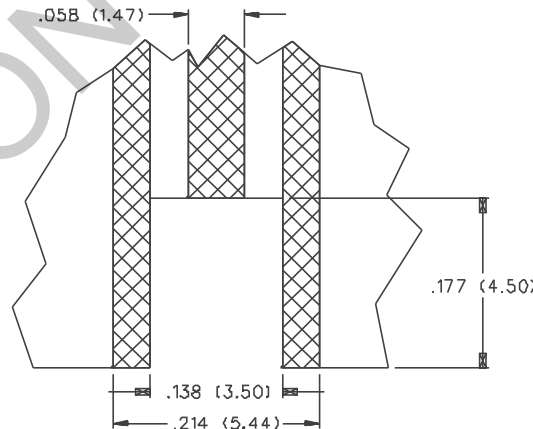


FIG 1  
4:1



RECOMMENDED SOLDER  
LAND PATTERN\*  
SCALE 10:1



\* NOTE: THIS PATTERN IS FOR REFERENCE ONLY.  
PATTERN MAY VARY DEPENDING ON  
ASSEMBLY PROCESS, BOARD TYPE, OR  
SPECIFIC ELECTRICAL OR MECHANICAL  
REQUIREMENTS.

NOTES:

1. SPECIFICATIONS:

IMPEDANCE: 50 OHMS  
FREQUENCY RANGE: 0-6 GHz  
VSWR: NOT APPLICABLE  
WORKING VOLTAGE: 170 VRMS MAX AT SEA LEVEL  
DIELECTRIC WITHSTANDING VOLTAGE: 500 VRMS MIN AT SEA LEVEL  
INSULATION RESISTANCE: 1000 MEGOHM MIN  
CONTACT RESISTANCE:  
CENTER CONTACT - INITIAL 5.0 MILLIOHM MAX. AFTER ENVIRONMENTAL 8.0 MILLIOHM MAX  
OUTER CONDUCTOR - GOLD PLATED INITIAL 1 MILLIOHM MAX. AFTER ENVIRONMENTAL 1.5 MILLIOHM MAX  
BRAID TO BODY - NOT APPLICABLE  
CORONA LEVEL: 190 VOLTS MINIMUM AT 70,000 FEET  
INSERTION LOSS: NOT APPLICABLE  
RF LEAKAGE: NOT APPLICABLE  
RF HIGH POTENTIAL WITHSTANDING VOLTAGE: 400 VRMS AT 4 AND 7 MHZ

MECHANICAL:

ENGAGE/DISENGAGE FORCE: 8.0 LBS MAX ENGAGEMENT  
1.4 LBS MIN DISENGAGEMENT

CONTACT RETENTION FORCE: 2.0 LBS MIN AXIAL FORCE  
CONTACT RETENTION TORQUE: NOT APPLICABLE  
COUPLING MECHANISM RETENTION: NOT APPLICABLE  
CABLE ACCEPTABILITY: NOT APPLICABLE  
CABLE HEX CRIMP SIZE: NOT APPLICABLE  
CABLE RETENTION: NOT APPLICABLE  
DURABILITY: 500 CYCLES MIN

ENVIRONMENTAL:

{MEETS OR EXCEEDS THE APPLICABLE PARAGRAPH OF MIL-C-39012}  
THERMAL SHOCK: MIL-STD-202, METHOD 107, CONDITION C  
EXCEPT -55 DEG C TO 155 DEG C  
OPERATING TEMPERATURE: -55 DEG C TO 155 DEG C  
CORROSION: MIL-STD-202, METHOD 101, CONDITION B  
SHOCK: MIL-STD-202, METHOD 213, CONDITION B  
VIBRATION: MIL-STD-202, METHOD 204, CONDITION D  
MOISTURE: MIL-STD-202, METHOD 106

DRAWING NO. C - 135-3711-801/810	
0 REVISIONS	
ENGINEERING RELEASE	
1	9-12-97 R H S T R B 10-1-97 ECN 44803
ADDED: FIG 1, P/N 135-3711-802	
1a	1-15-98 R H S T R B ECN 45260
VERSION UPDATE	
* REVISION NUMBER FOLLOWED BY AN ALPHA *	
* CHARACTER INDICATES DRAWING CHANGE *	
* CAUTION ON PART NUMBER ADDITION ONLY *	
1b	3-17-98 R H S T R B ECN 45402

CUSTOMER DRAWING

THIS DRAWING TO BE INTERPRETED  
PER ANSI Y 14.5M - 1982

"μSTATION"

COMPANY CONFIDENTIAL

TOLERANCE UNLESS OTHERWISE SPECIFIED	DRAWN BY SWC	DATE 5-22-97		<small>Cinch Connectivity Solutions 299 Johnson Ave. Ste. 100 Waukegan, MN 55093 1-800-247-8256</small>
DECIMALS .XX	CHECKED BY SWC	DATE 9-15-97		TITLE JACK ASSEMBLY SURFACE MOUNT END LAUNCH MMCX
.XXX -- .003	APPROVED BY TAK	DATE 9-16-97	CODE NO.	DRAWING NO. C - 135-3711-801/810
MATL	APPROVED BY RJB	DATE 9-17-97	SCALE 20:1	W/M INCH
FINISH	RELEASE DATE	10-1-97	SHEET 2 OF 2	