



Chipsmall Limited consists of a professional team with an average of over 10 year of expertise in the distribution of electronic components. Based in Hongkong, we have already established firm and mutual-benefit business relationships with customers from,Europe,America and south Asia,supplying obsolete and hard-to-find components to meet their specific needs.

With the principle of “Quality Parts,Customers Priority,Honest Operation,and Considerate Service”,our business mainly focus on the distribution of electronic components. Line cards we deal with include Microchip,ALPS,ROHM,Xilinx,Pulse,ON,Everlight and Freescale. Main products comprise IC,Modules,Potentiometer,IC Socket,Relay,Connector.Our parts cover such applications as commercial,industrial, and automotives areas.

We are looking forward to setting up business relationship with you and hope to provide you with the best service and solution. Let us make a better world for our industry!



## Contact us

Tel: +86-755-8981 8866 Fax: +86-755-8427 6832

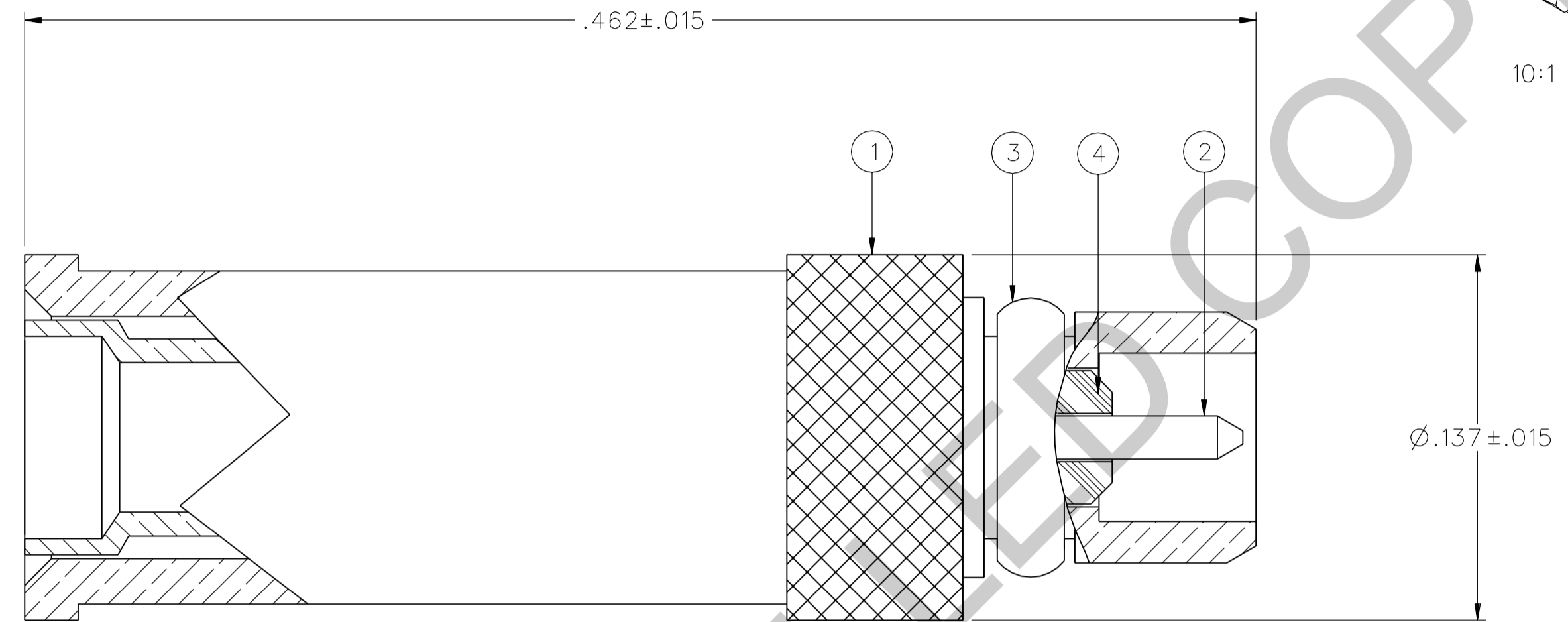
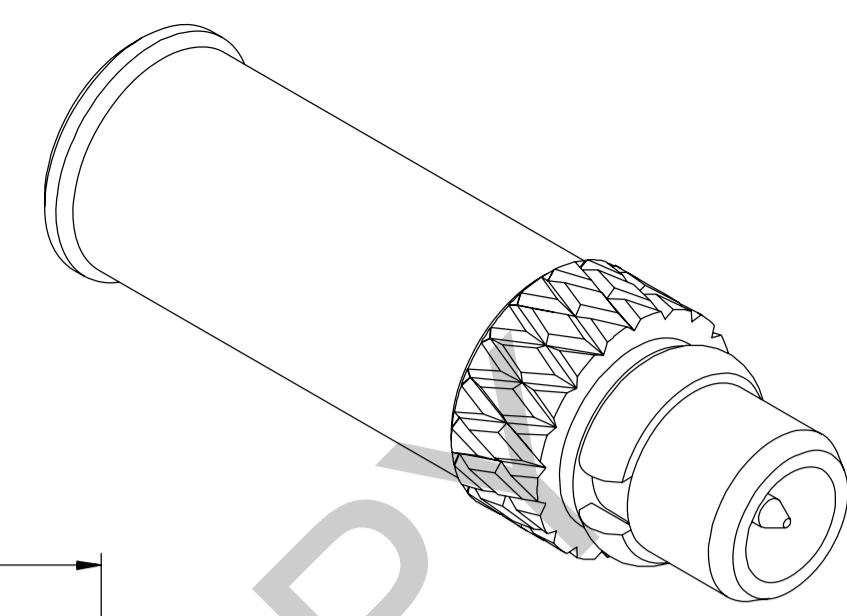
Email & Skype: info@chipsmall.com Web: www.chipsmall.com

Address: A1208, Overseas Decoration Building, #122 Zhenhua RD., Futian, Shenzhen, China



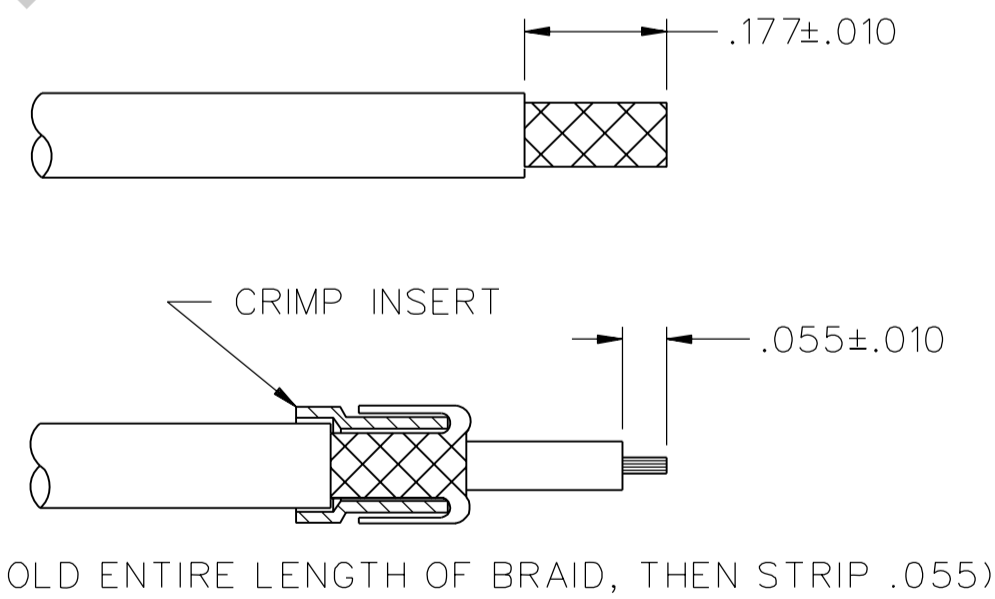
|                             |   |  |   |                               |   |
|-----------------------------|---|--|---|-------------------------------|---|
| PART NUMBER<br>135-9402-001 | ITEM ①<br>BODY<br>COPPER ALLOY<br>GOLD PL .00005 MIN OVER<br>COPPER PL .00005 MIN | ITEM ②<br>CONTACT<br>BERYLLIUM COPPER<br>GOLD PL .00005 MIN OVER<br>COPPER PL .00005 MIN | ITEM ③<br>INTERFACE SPRING<br>BERYLLIUM COPPER<br>GOLD PL .00005 MIN OVER<br>COPPER PL .00005 MIN | ITEM ④<br>INSULATOR<br>TEFLON | ITEM ⑤<br>CRIMP INSERT<br>COPPER ALLOY<br>GOLD PL .00005 MIN OVER<br>COPPER PL .00005 MIN |
|-----------------------------|---|--|---|-------------------------------|---|

|                                     |  |
|-------------------------------------|--|
| DRAWING NO.<br>C - 135-9402-001/010 |  |
| 0                                   | REVISIONS  |
| ENGINEERING RELEASE                 |  |
| 1                                   | 9-6-07 P J T M T<br>A D A J J<br>T S K U S<br>9-14-07<br>ECN 51223 |



NOTES:

1. SPECIFICATIONS:
- IMPEDANCE: 50 OHMS
  - FREQUENCY RANGE: 0-6 GHz
  - VSWR: 1.2 MAX (F IN GHz)
  - WORKING VOLTAGE: 170 VRMS MAX AT SEA LEVEL
  - DIELECTRIC WITHSTANDING VOLTAGE: 500 VRMS MIN AT SEA LEVEL
  - INSULATION RESISTANCE: 1000 MEGOHM MIN
  - CONTACT RESISTANCE:
    - CENTER CONTACT - INITIAL 5.0 MILLIOHM MAX, AFTER ENVIRONMENTAL 8.0 MILLIOHM MAX
    - OUTER CONDUCTOR - GOLD PLATED INITIAL 1 MILLIOHM MAX, AFTER ENVIRONMENTAL 1.5 MILLIOHM MAX
    - BODY TO BRAID - GOLD PLATED INITIAL 1.5 MILLIOHM MAX, AFTER ENVIRONMENTAL NOT APPLICABLE
  - CORONA LEVEL: 190 VOLTS MINIMUM AT 70,000 FEET
  - INSERTION LOSS: 0.1 DB MAX AT 1 GHz
  - RF LEAKAGE: -60 DB AT 2.5 GHz
  - RF HIGH POTENTIAL WITHSTANDING VOLTAGE: 400 VRMS AT 4 AND 7 MHZ



CABLE STRIP DIMENSIONS  
4:1


- MECHANICAL:
- ENGAGE/DISENGAGE FORCE: 8.0 LBS MAX ENGAGEMENT  
1.4 LBS MIN DISENGAGEMENT
  - CONTACT RETENTION FORCE: 2.0 LBS MIN AXIAL FORCE
  - CONTACT RETENTION TORQUE: NOT APPLICABLE
  - COUPLING MECHANISM RETENTION: NOT APPLICABLE
  - CABLE ACCEPTABILITY: RG 178/U, RG 196/U
  - CABLE HEX CRIMP SIZE: .105 HEX X .235 WIDE
  - CABLE RETENTION: 7.0 LBS
  - DURABILITY: 500 CYCLES MIN
- ENVIRONMENTAL:
- (MEETS OR EXCEEDS THE APPLICABLE PARAGRAPH OF MIL-PRF-39012)
- THERMAL SHOCK: MIL-STD-202, METHOD 107, CONDITION C, EXCEPT -55 DEG C TO 155 DEG C
  - OPERATING TEMPERATURE: -55 DEG C TO 155 DEG C
  - CORROSION: MIL-STD-202, METHOD 101, CONDITION B
  - SHOCK: MIL-STD-202, METHOD 213, CONDITION B
  - VIBRATION: MIL-STD-202, METHOD 204, CONDITION D
  - MOISTURE: MIL-STD-202, METHOD 106

CUSTOMER DRAWING

THIS DRAWING TO BE INTERPRETED PER ASME Y 14.5M - 1994

"μSTATION"

COMPANY CONFIDENTIAL

|                                      |       |                         |                 |   |   |  |
|--------------------------------------|-------|-------------------------|-----------------|---|---|--|
| TOLERANCE UNLESS OTHERWISE SPECIFIED |       | DRAWN BY<br>JDS         | DATE<br>9-6-07  |  <b>Cinch</b><br>CONNECTIVITY SOLUTIONS<br>a bel group | Cinch Connectivity Solutions<br>P.O. Box 1732<br>Waseca, MN 56093<br>1-800-247-8256 |  |
| DECIMALS                             | mm    | CHECKED BY<br>TAK       | DATE<br>9-14-07 |   | TITLE<br>ASSEMBLY, PLUG<br>STRAIGHT CABLED RG 178<br>NON-MAGNETIC MMCX              |  |
| .XX                                  | _____ | APPROVED BY<br>TJS      | DATE<br>9-14-07 | SHEET<br>2 OF 2   |   |  |
| .XXX ±.003                           | _____ | RELEASE DATE<br>9-14-07 | SCALE<br>20:1   | DRAWING NO.<br>C - 135-9402-001/010   |   |  |
| MATL                                 | _____ | U/M                     | INCH            |   |   |  |
| FINISH                               | _____ |                         |                 |   |   |  |