



Chipsmall Limited consists of a professional team with an average of over 10 year of expertise in the distribution of electronic components. Based in Hongkong, we have already established firm and mutual-benefit business relationships with customers from,Europe,America and south Asia,supplying obsolete and hard-to-find components to meet their specific needs.

With the principle of "Quality Parts,Customers Priority,Honest Operation,and Considerate Service",our business mainly focus on the distribution of electronic components. Line cards we deal with include Microchip,ALPS,ROHM,Xilinx,Pulse,ON,Everlight and Freescale. Main products comprise IC,Modules,Potentiometer,IC Socket,Relay,Connector.Our parts cover such applications as commercial,industrial, and automotives areas.

We are looking forward to setting up business relationship with you and hope to provide you with the best service and solution. Let us make a better world for our industry!



Contact us

Tel: +86-755-8981 8866 Fax: +86-755-8427 6832

Email & Skype: info@chipsmall.com Web: www.chipsmall.com

Address: A1208, Overseas Decoration Building, #122 Zhenhua RD., Futian, Shenzhen, China



NOTES:

1. MATERIALS AND FINISHES:

SMA RIGHT ANGLE CRIMP PLUG - P/N: 132123
 CABLE - RG 316/U COAXIAL CABLE

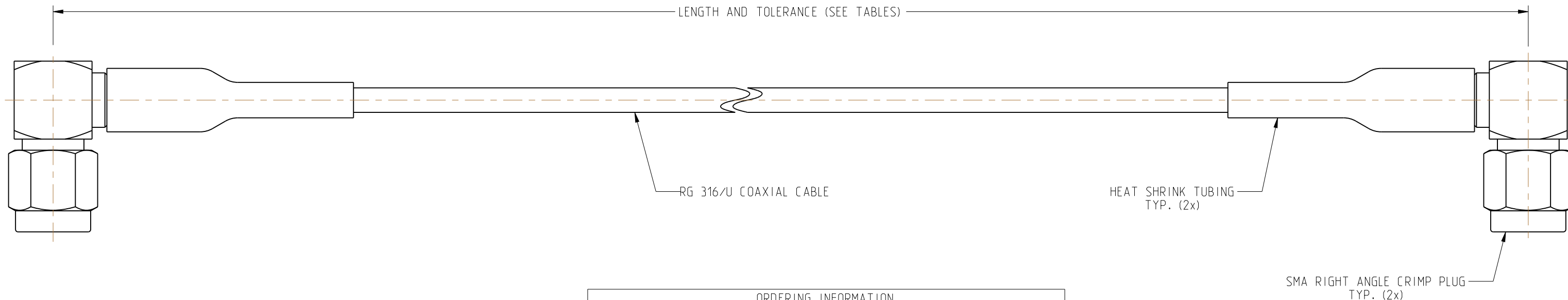
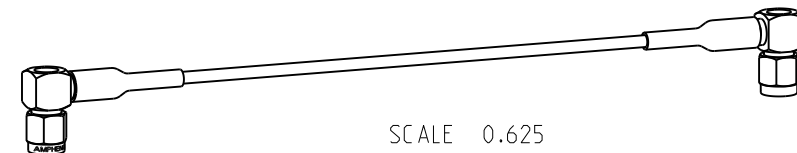
2. ELECTRICAL:

A. IMPEDANCE: 50 OHM, NOMINAL

3. PACKAGING:

A. QUANTITY: SINGLE PACK
 B. BAG TO BE MARKED: AMPHENOL RF, 135104-01-XX.XX, AND DATE CODE

135104-01-XX.XX		REVISIONS			
DRAWING NO.	REV	DESCRIPTION	DATE	ECO	APPR
THIRD ANGLE PROJ.	NC	INITIAL RELEASE	03-Feb-09	--	--
	B	SEE SHEET 1	25-Mar-14	2711	KR/BCG



ORDERING INFORMATION		
PART NUMBER (IMPERIAL)	PART NUMBER (METRIC)	LENGTH IN INCHES * [METERS]
135104-01-06.00	-	6.00 [0.152]
-	135104-01-M0.25	9.84 [0.250]
135104-01-12.00	-	12.00 [0.305]
135104-01-18.00	-	18.00 [0.457]
-	135104-01-M0.50	19.69 [0.500]
135104-01-24.00	-	24.00 [0.610]
-	135104-01-M0.75	29.53 [0.750]
135104-01-36.00	-	36.00 [0.914]
-	135104-01-M1.00	39.37 [1.000]
135104-01-48.00	-	48.00 [1.219]

TOLERANCE TABLE	
LENGTH IN INCHES/FT [METERS]	TOLERANCE
0" - 23.90" [0 - 0.607]	±0.25" [0.006]
24.00" - 59.00" [0.610 - 1.499]	±0.50" [0.013]
5.0' - 24.9' [1.524 - 7.617]	±2.5%
25.0' & UP [7.620 & UP]	±5.0%

DESIGN REQUIREMENTS:

FREQUENCY : DC TO 3.0 GHz

CONTINUITY

VSWR : ----1 MAX

HI-POT : 500 VRMS

INS. LOSS : ---- dBMAX

OTHER

* ADDITIONAL LENGTHS CAN BE PROVIDED.
 CONTACT AMPHENOL RF MARKETING FOR QUOTE

CUSTOMER OUTLINE DRAWING
 ALL OTHER SHEETS ARE FOR INTERNAL USE ONLY

UNLESS OTHERWISE SPECIFIED, TOLERANCES ARE AS FOLLOWS: 2 PLACE DECIMAL ±.015 (0,381 mm) 3 PLACE DECIMAL ±.005 (0,127 mm) ANGLES ± 1°	MATERIAL	DRAWN	DATE	TITLE	Amphenol Connex
	SEE NOTES	KARTHIK R	11-Mar-14	SMA RIGHT ANGLE CRIMP PLUG TO SMA RIGHT ANGLE CRIMP PLUG JACK USING RG 316 CABLE, VARIOUS LENGTHS	
NOTICE - These drawings, specifications, or other data (1) are, and remain the property of Amphenol Corp. (2) must be returned upon request; and (3) are confidential and not to be disclosed to any person other than those to whom they are given by Amphenol Corp. The furnishing of these drawings, specifications, or other data by Amphenol Corp., or to any other person to anyone for any purpose is not to be regarded by implication or otherwise in any manner licensing, granting rights or permitting such holder or any other person to manufacture, use or sell any product, process or design, patented or otherwise, that may in any way be related to or disclosed by said drawings, specifications, or other data.	REFERENCE	ENGINEER	DATE		SCALE: 2.5:1
		B.C. GLEISSNER	11-Mar-14		SHEET 2 OF 2
			APPROVED	DATE	
		CAD FILE	25-Mar-14		
				DWG SIZE	REV
				B	B
				DRAWING NO.	
				135104-01-XX.XX	