



Chipsmall Limited consists of a professional team with an average of over 10 year of expertise in the distribution of electronic components. Based in Hongkong, we have already established firm and mutual-benefit business relationships with customers from,Europe,America and south Asia,supplying obsolete and hard-to-find components to meet their specific needs.

With the principle of “Quality Parts,Customers Priority,Honest Operation,and Considerate Service”,our business mainly focus on the distribution of electronic components. Line cards we deal with include Microchip,ALPS,ROHM,Xilinx,Pulse,ON,Everlight and Freescale. Main products comprise IC,Modules,Potentiometer,IC Socket,Relay,Connector.Our parts cover such applications as commercial,industrial, and automotives areas.

We are looking forward to setting up business relationship with you and hope to provide you with the best service and solution. Let us make a better world for our industry!



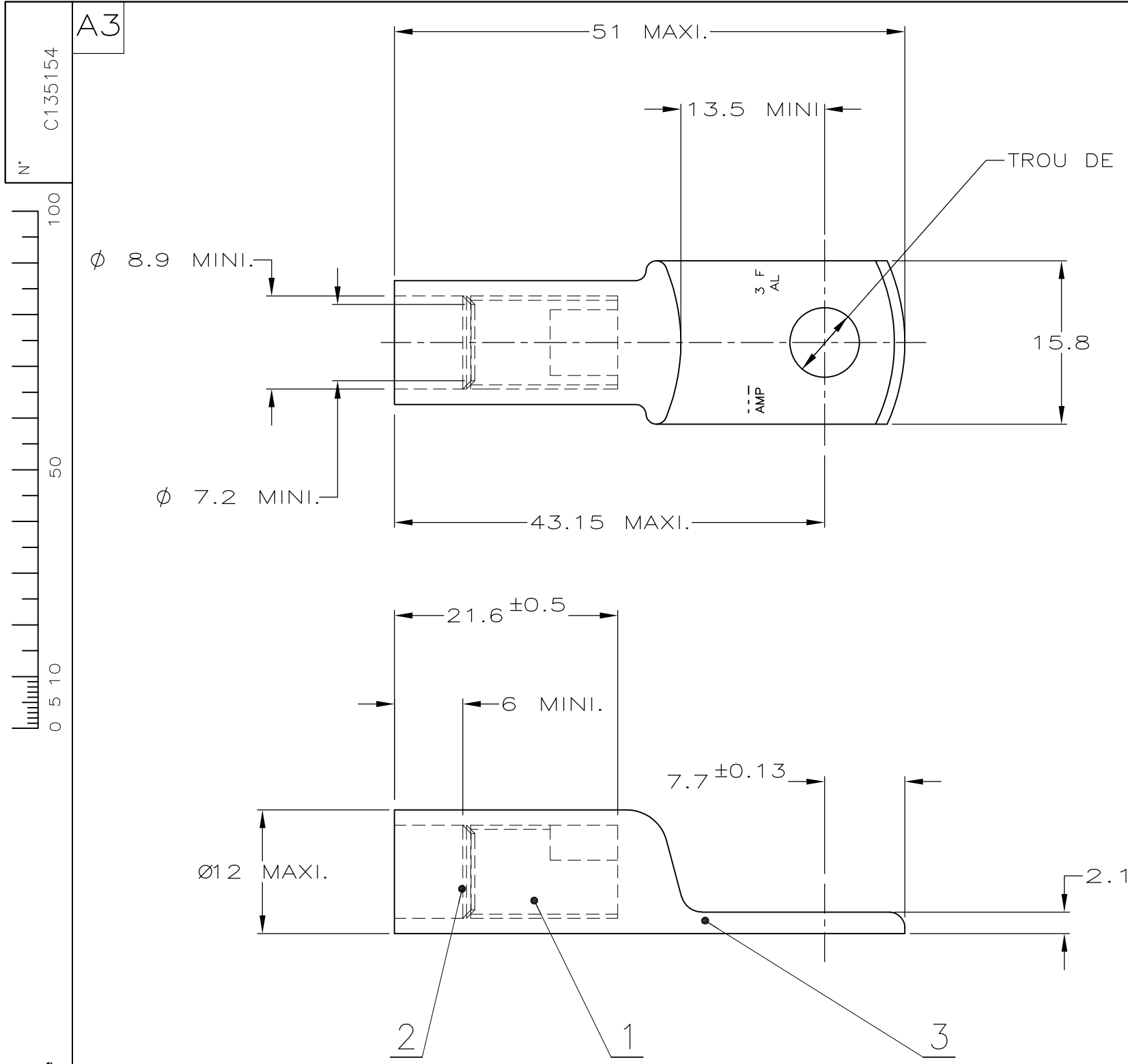
Contact us

Tel: +86-755-8981 8866 Fax: +86-755-8427 6832

Email & Skype: info@chipsmall.com Web: www.chipsmall.com

Address: A1208, Overseas Decoration Building, #122 Zhenhua RD., Futian, Shenzhen, China





REFERENCE : 135154-2

MATIERE REVET.	DESIGNATION	REP.
CUIVRE ETAME	COSSE	3
LAITON NIQUELE	BAGUE D'ENTREE	2
LAITON NIQUELE	INSERT	1

NOTES

- 1 POIDS : 21 gr
- 2 53619 CMA

DIMENSIONS IN MM.
DO NOT SCALE PRINT
Dimensions en mm.
Restitution non a l'echelle

NUMERO	DESCRIPTION	OBSERVATION	REP.
-	-	-	-
-	-	-	-
-	-	-	-
-	-	-	-
D	ADMINISTRATIVE UPDATE	JT 12/07	G.ROBERT
C	MODIF MARKING	JT 11/07	G.ROBERT
B	EC 6952	GR 10 96	G.ROBERT
A	AJOUTE DIM.	- 12 90	-
O1	CHANGE MARQUAGE	GR 06 90	-
-	P9023134	-	-
REV	MODIFICATIONS	DES	DATE

NUMERO	DESCRIPTION	OBSERVATION	REP.
©1990 BY AMP INCORPORATED ALL RIGHTS RESERVED. AMP PRODUCTS COVERED BY PATENTS AND/OR PATENTS PENDING	DESSIN CLIENT UNIQUEMENT POUR REFERENCES		
DESSINE LE AVRIL 90 PAR G.ROBERT	MATIERE VOIR TABLEAU	AMP AMP DE FRANCE 95301 PONTOISE	
VERIFIE LE 16-JAN-97 PAR G.ROBERT	FINITION VOIR TABLEAU	CLASSE	
	DIMENS. FIL 27.27 mm ² (Al)	ISOLANT 7.01/7.75	TYPE
	TOLERANCES SAUF INDICATION ± 0,3	ECHELLE 2	LOC F B N° C- 135154 REV D
ne pas modifier le calque			1/1

SEALED COPALUM
PLAN CLIENT