



Chipsmall Limited consists of a professional team with an average of over 10 year of expertise in the distribution of electronic components. Based in Hongkong, we have already established firm and mutual-benefit business relationships with customers from,Europe,America and south Asia,supplying obsolete and hard-to-find components to meet their specific needs.

With the principle of “Quality Parts,Customers Priority,Honest Operation,and Considerate Service”,our business mainly focus on the distribution of electronic components. Line cards we deal with include Microchip,ALPS,ROHM,Xilinx,Pulse,ON,Everlight and Freescale. Main products comprise IC,Modules,Potentiometer,IC Socket,Relay,Connector.Our parts cover such applications as commercial,industrial, and automotives areas.

We are looking forward to setting up business relationship with you and hope to provide you with the best service and solution. Let us make a better world for our industry!



Contact us

Tel: +86-755-8981 8866 Fax: +86-755-8427 6832

Email & Skype: info@chipsmall.com Web: www.chipsmall.com

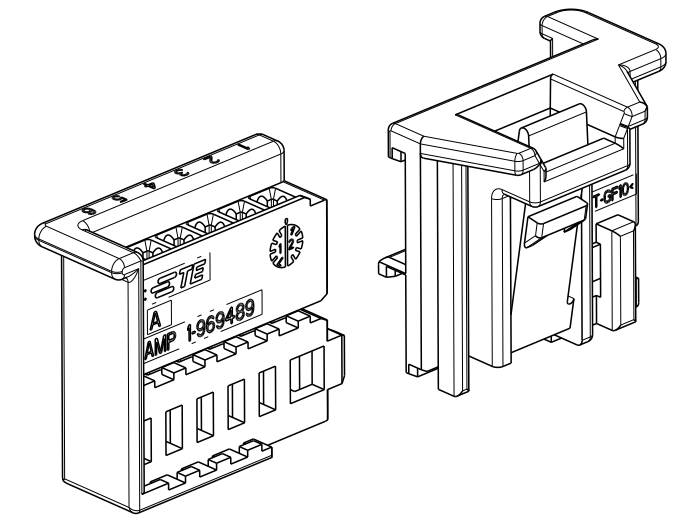
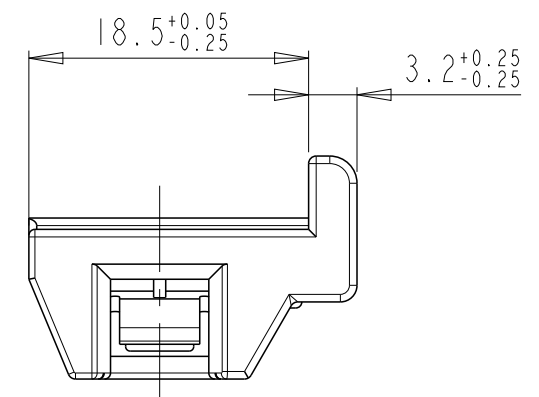
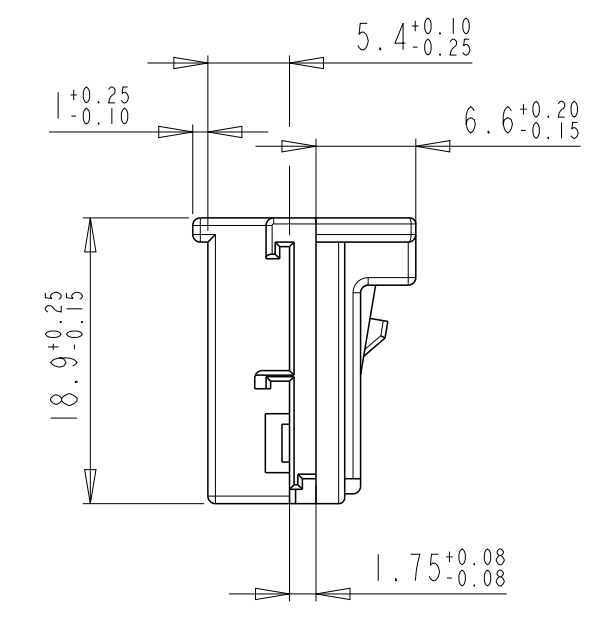
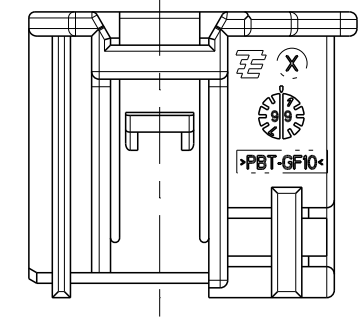
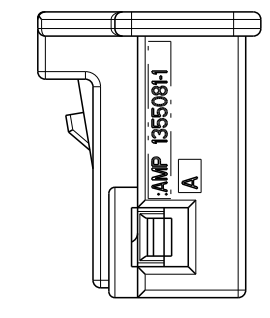
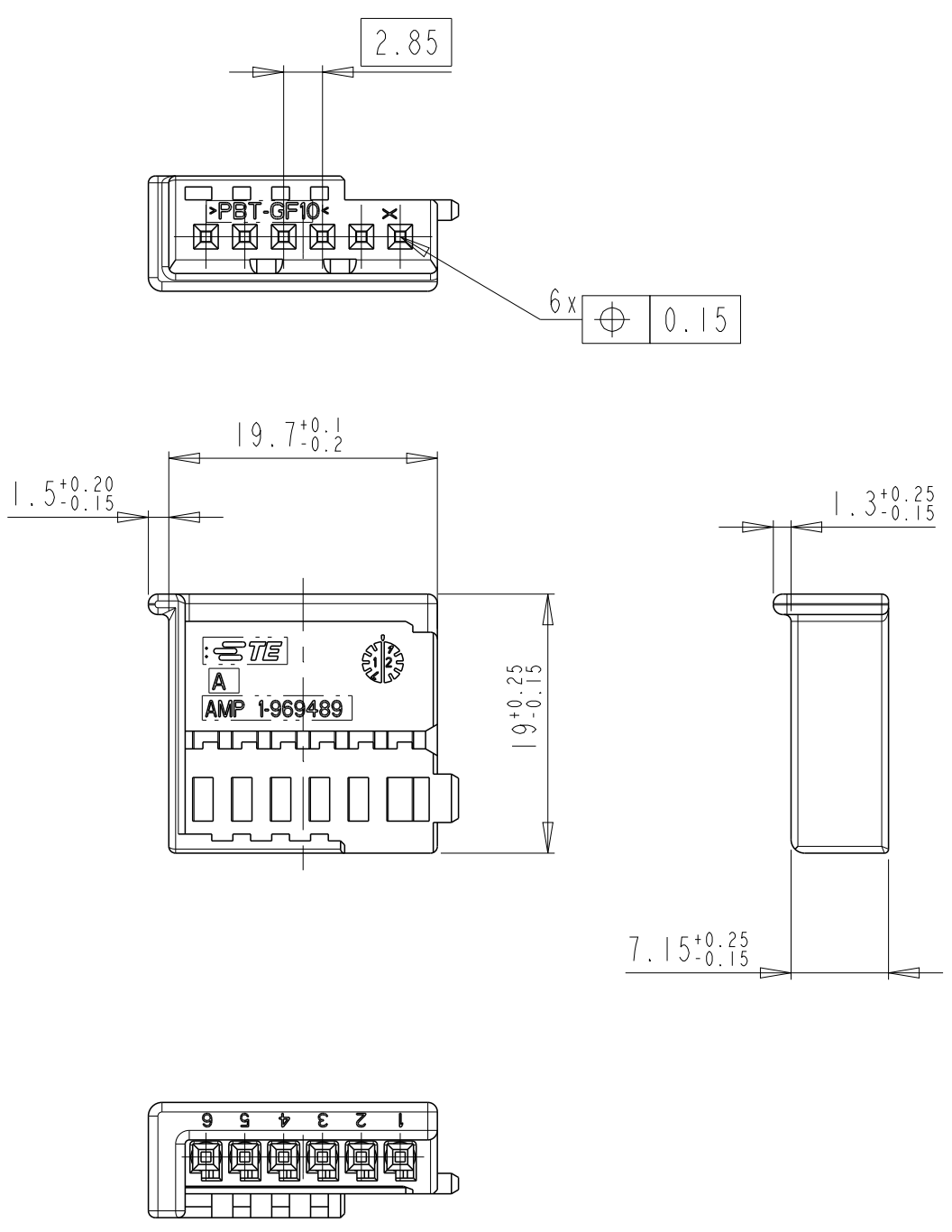
Address: A1208, Overseas Decoration Building, #122 Zhenhua RD., Futian, Shenzhen, China



PROJEKT NR.:		REVISIONS			
99-52164		ÄNDERUNGEN			
P	LTR	DESCRIPTION	DATE	DWN	APVD
	A5	Mass 3.2+0.25 war 3.2+0.25-0.05	02-DEC-2003	J. S.	R. F.
	A6	NEW DASH-NUMBER	13-MAR-2007	T. S.	R. F.
	A7	REVISED PER ECO-11-005294	20-APR-2011	RK	HMR
	A8	NEW PACKAGING NOTE ADDED	16-OCT-2015	RS	R. F.

POS. 1

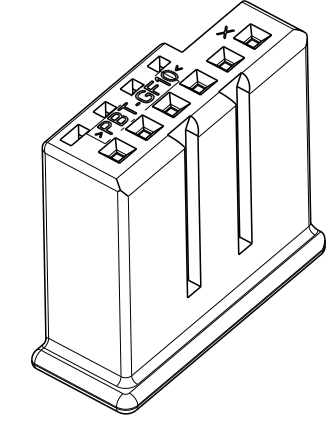
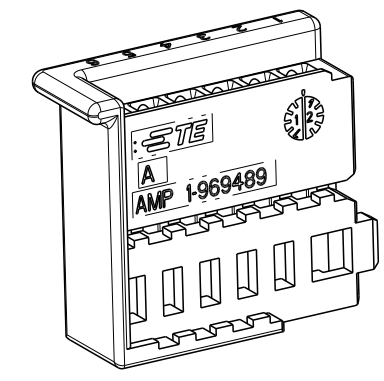
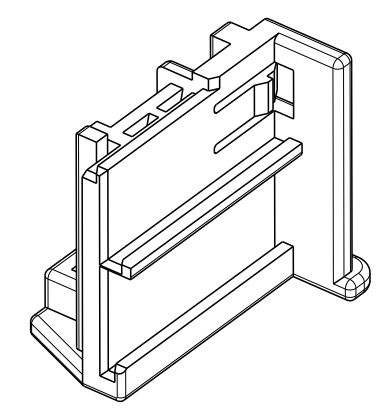
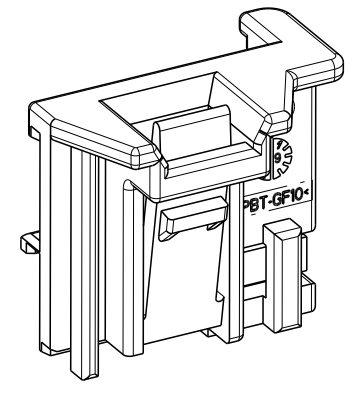
POS. 2



NEUTRALE VERSION

NOTES
Bemerkungen

- 1 POS.1 SUITABLE TE SOCKET TERMINALS E.G. PN 928 999 OR 963 715
POS.1 passend mit TE-Buchsenkontakt z.B. PN 928 999 oder 963 715
- 2 FITTING COUNTERPART ACC. DRW. 114-18601
Passender Gegenstecker nach Zeichnung 114-18601
- 3 HOUSING AND RETAINER HAVE TO BE ORDERED SEPARATLY
PACKAGING: LOOSE PIECE IN CARDBOX
Gehäuse und Retainer müssen einzeln bestellt werden
Verpackung: Schuetzgut in Karton



COD-ING	PART NO	REV.	MATERIAL	COLOUR SURFACE	DESCRIPTION	QTY.	ITEM NO
A8 3	A 1355081-4	A	PBT-GF 10	BLUE	RETAINER	1	2
	A 1-969489-3	A	PBT-GF 10	WHITE	MQS-HSG, 6POSN	1	1
A8 3	A 1355081-4	A	PBT-GF 10	BLUE	RETAINER	1	2
	A 1-969489-4	A	PBT-GF 10	BLUE	MQS-HSG, 6POSN.	1	1
A8 3	A 1355081-3	A	PBT-GF 10	WHITE	RETAINER	1	2
	A 1-969489-3	A	PBT-GF 10	WHITE	MQS-HSG, 6POSN.	1	1
A8 3	A 1355081-2	A	PBT-GF 10	BROWN	RETAINER	1	2
	A 1-969489-2	A	PBT-GF 10	BROWN	MQS-HSG, 6POSN.	1	1
A8 3	A 1355081-1	A	PBT-GF 10	BLACK	RETAINER	1	2
	A 1-969489-1	A	PBT-GF 10	BLACK	MQS-HSG, 6POSN.	1	1

THIS DRAWING IS A CONTROLLED DOCUMENT.
 DIESSES ZEICHNUNGSDOKUMENT WIRD DURCH AMP INCORPORATED KONTROLLIERT.
 ÄNDERUNGEN, DIE DEM TECHNISCHEN FORTSCHRITT DIENEN, SIND VORBEHALTEN.
 DEN JEWELIS LETZTGESETZTEN ÄNDERUNGSSTAND ERFAHREN SIE AUF ANFRAGE.

DWN: J. Schneider 29-JUN-1999
 CHK: R. Forelli 29-JUN-1999

APVD: -

NAME: MICRO QUADLOK SOCKET-HSG., 6POSN. + RETAINER (KIT)
 MQS-Buchsengeh., 6pol+Retainer (Kit)

SIZE: A2
 CAGE CODE: -
 DRAWING NO: C-1355082
 ZEICHNUNGS-NR.: -

RESTRICTED TO NUR FUER: -

Customer Drawing / KUNDENZEICHNUNG
 SCALE: 2:1
 SHEET: 1 OF 1
 REV: A8