



Chipsmall Limited consists of a professional team with an average of over 10 year of expertise in the distribution of electronic components. Based in Hongkong, we have already established firm and mutual-benefit business relationships with customers from,Europe,America and south Asia,supplying obsolete and hard-to-find components to meet their specific needs.

With the principle of “Quality Parts,Customers Priority,Honest Operation,and Considerate Service”,our business mainly focus on the distribution of electronic components. Line cards we deal with include Microchip,ALPS,ROHM,Xilinx,Pulse,ON,Everlight and Freescale. Main products comprise IC,Modules,Potentiometer,IC Socket,Relay,Connector.Our parts cover such applications as commercial,industrial, and automotives areas.

We are looking forward to setting up business relationship with you and hope to provide you with the best service and solution. Let us make a better world for our industry!



Contact us

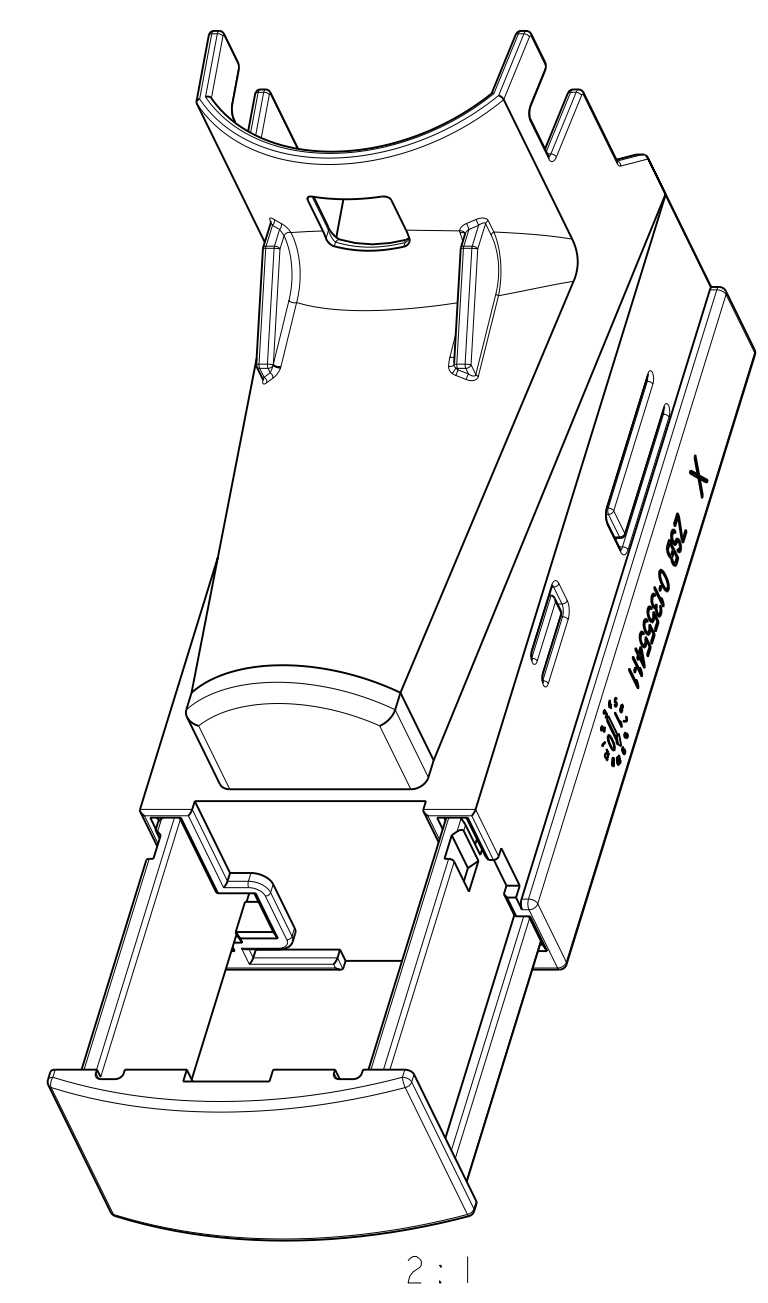
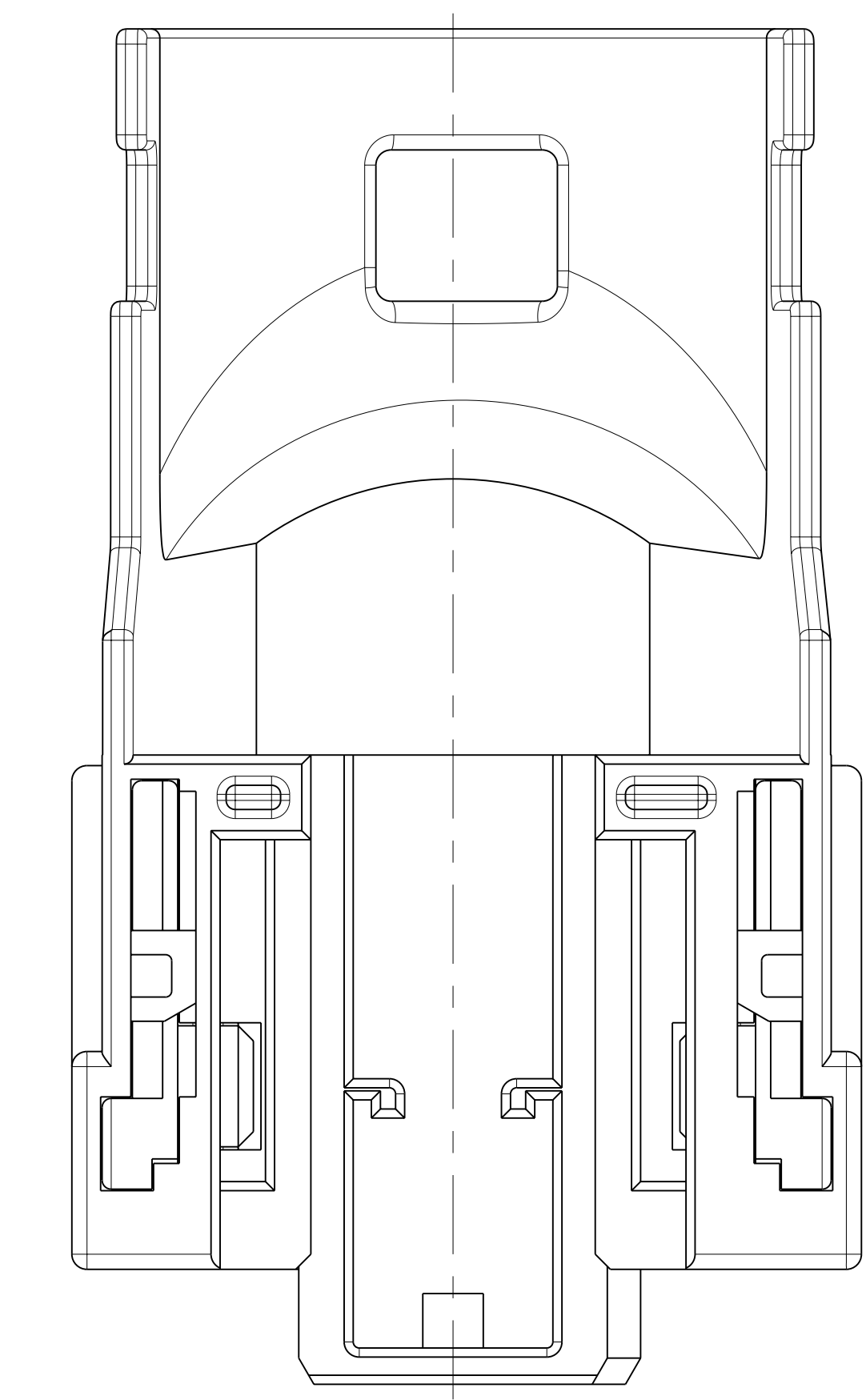
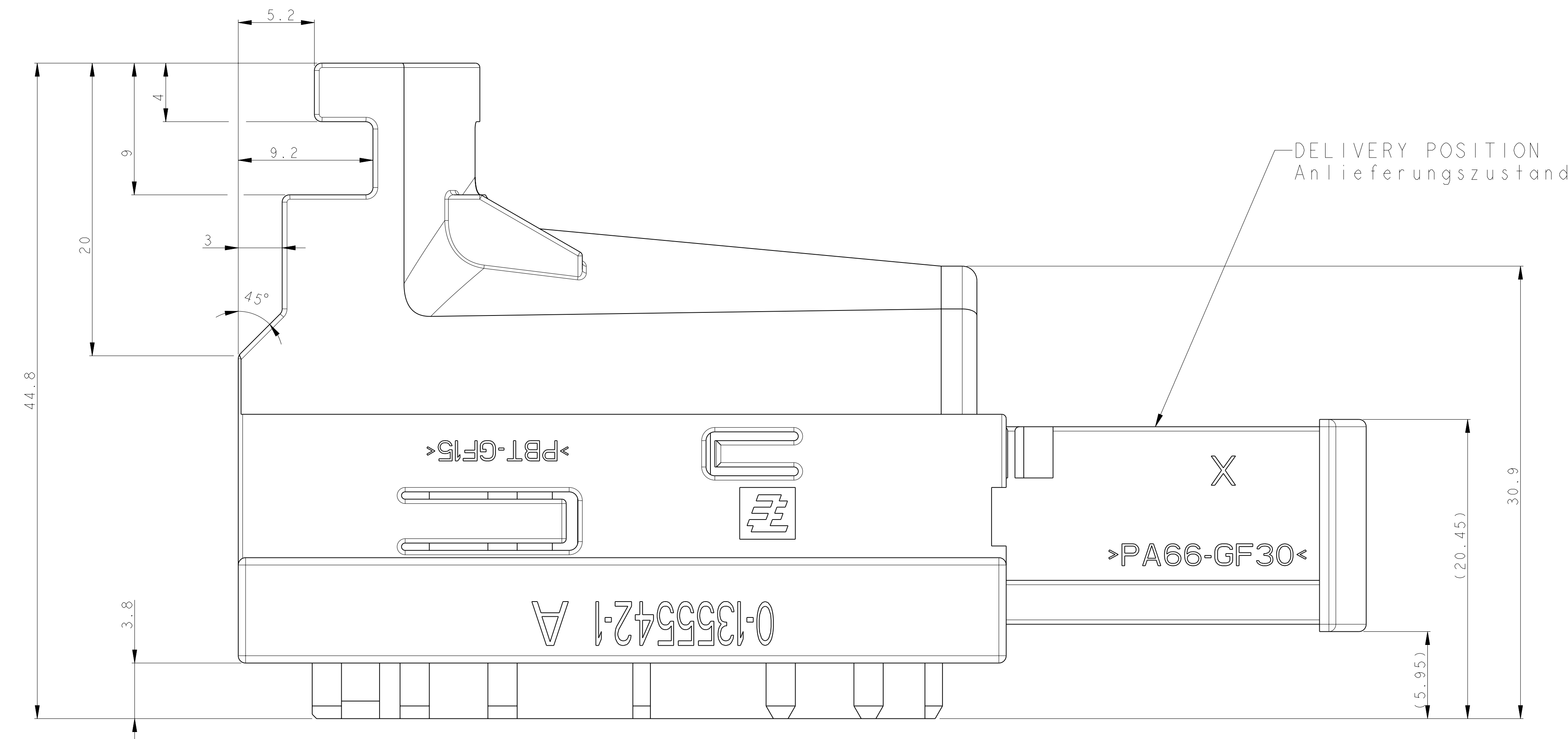
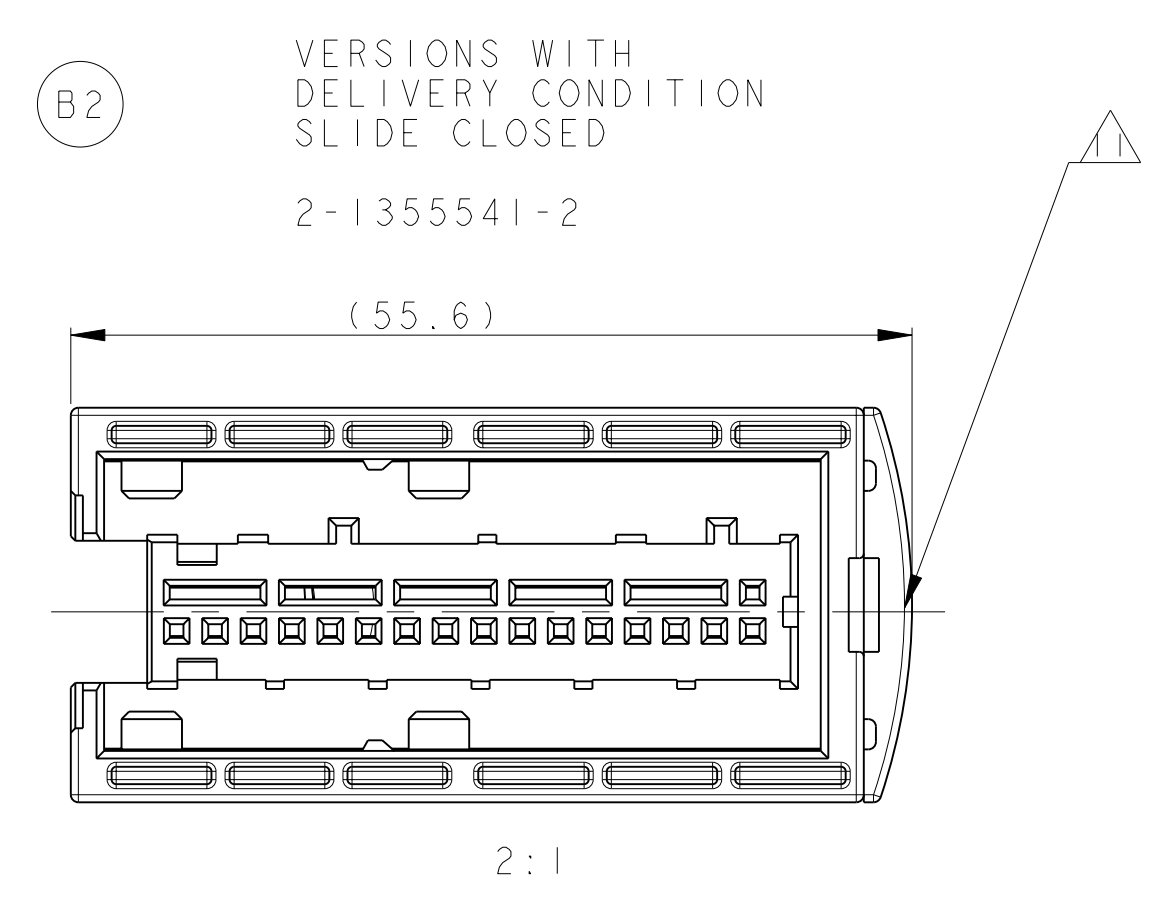
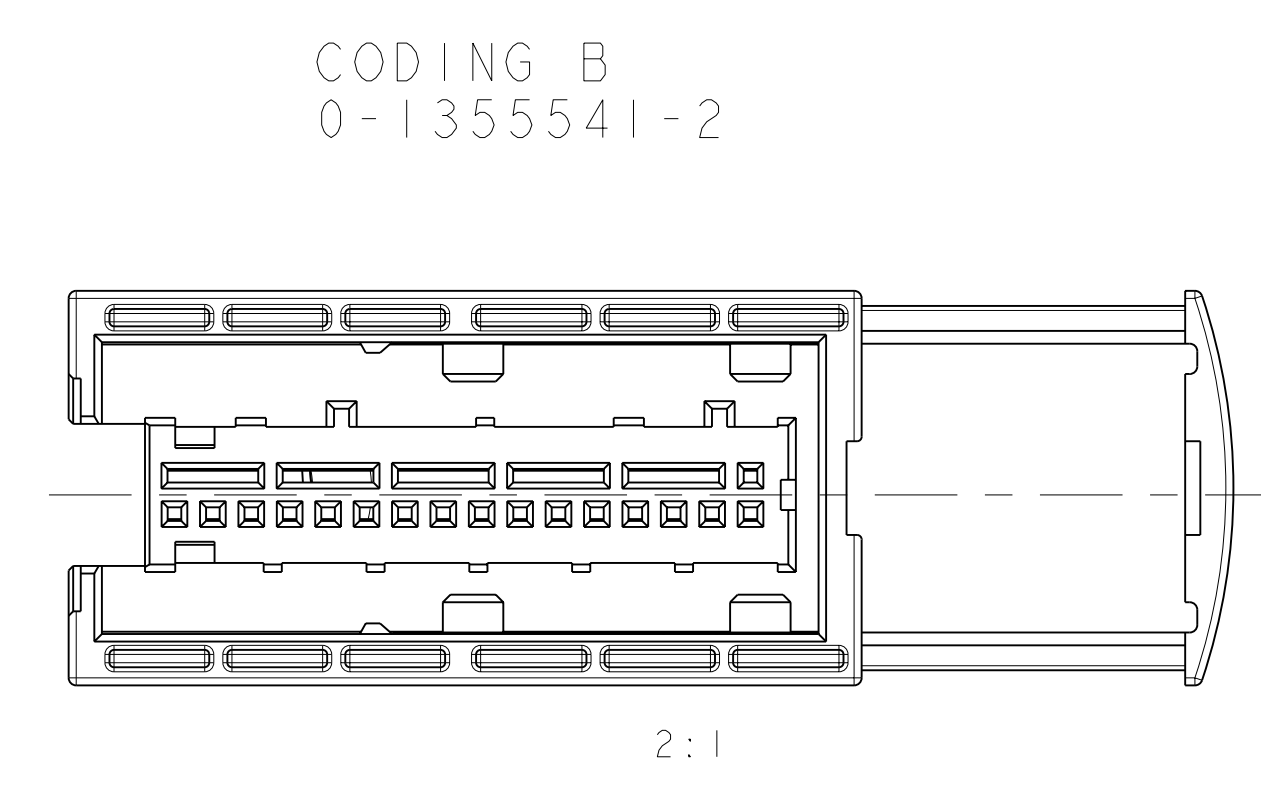
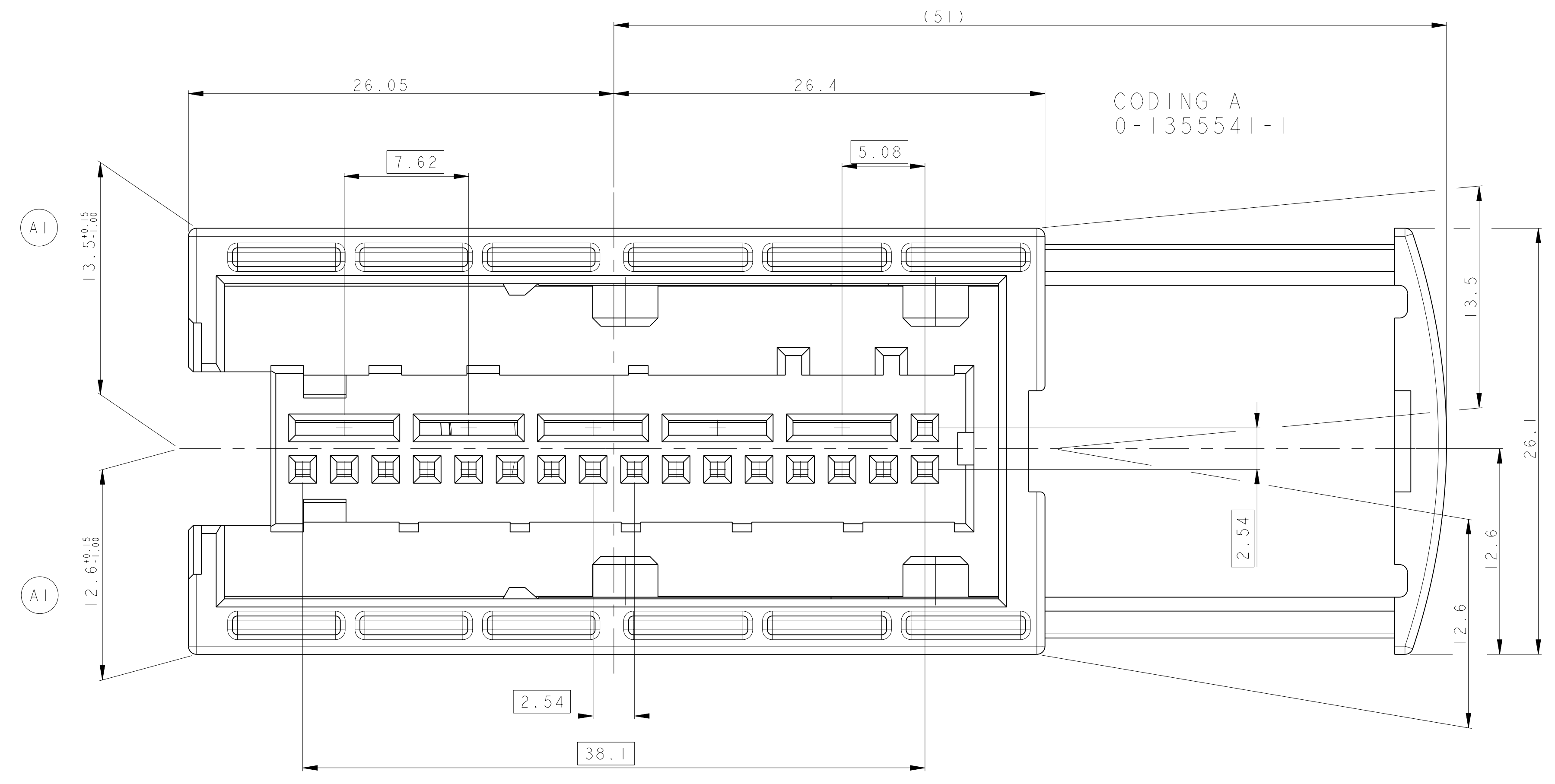
Tel: +86-755-8981 8866 Fax: +86-755-8427 6832

Email & Skype: info@chipsmall.com Web: www.chipsmall.com

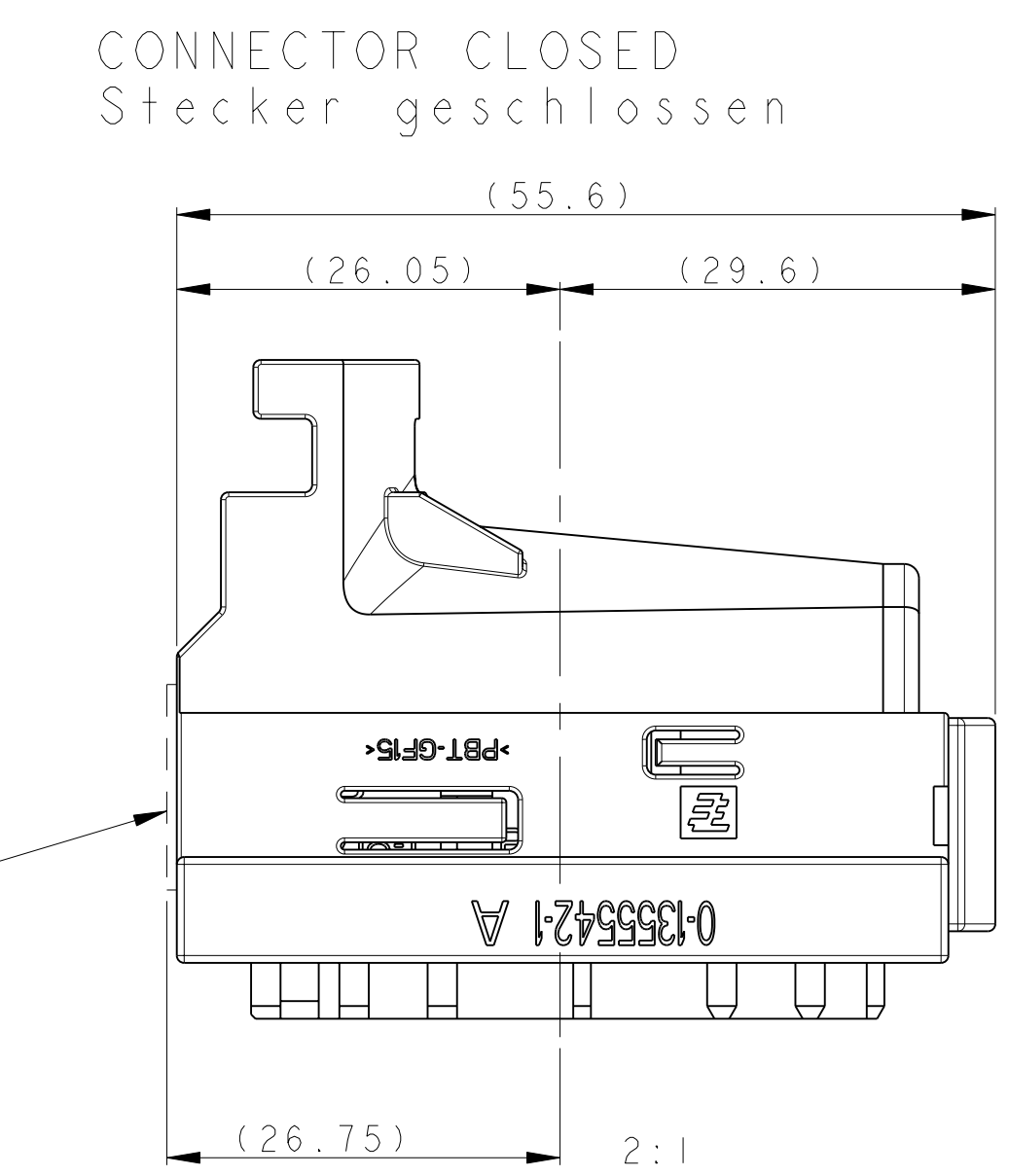
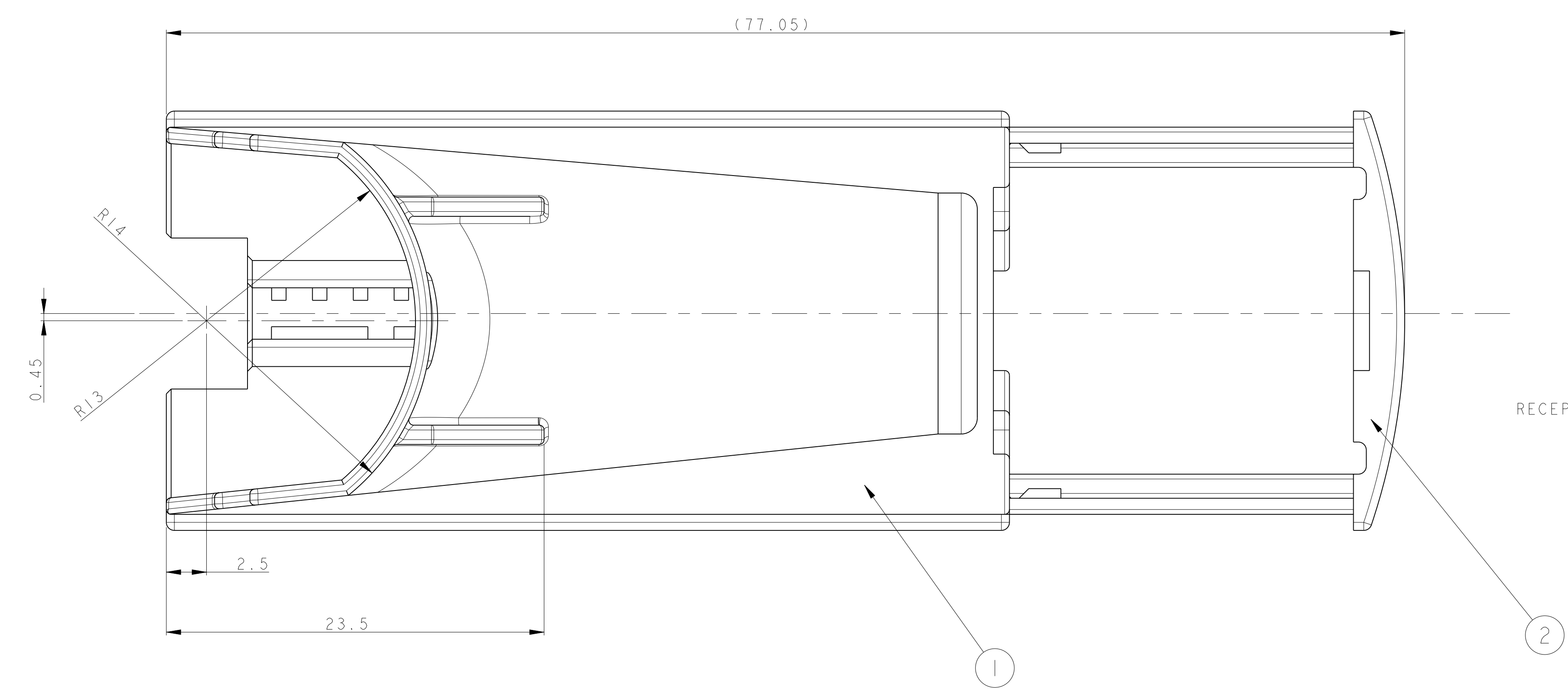
Address: A1208, Overseas Decoration Building, #122 Zhenhua RD., Futian, Shenzhen, China



PROJEKT NO.		REVISIONS	
A98-52279 B916704		REV. NO.	DATE
B3	SEE E-08-24812	2302108	HJSCH AR
B4	SEE E-09-023384	14JAN10	FU HS



0-1355589-1	32POS MODULI PINHEADER, 90° VERSION, RIGHT, COD A
	32POS MODULI PINHEADER, 90° VERSION, LEFT, COD A
0-1355587-1/-2	5xTAB5.2mm+2xMODULI PINHEADER, 180° VERSION, COD A AND B
0-1241725-1	5xPQ+2xMOS RECEPTACLE HOUSING
0-1241724-1	32POS MOS RECEPTACLE HOUSING
114-18079	INTERFACEDRAWING FOR 5xPQ+2xMOS CONNECTOR
114-18078	INTERFACEDRAWING FOR 32POS MOS CONNECTOR
NUMBER	DESCRIPTION
NUMBER	BESCHREIBUNG
COUNTERPARTS	
GEGENSTECKER	



- NOTES
Bemerkungen
- △ AMP or TE-LOGO
 - △ ORDER-NUMBER
 - △ REVISIONS-NUMBER
 - △ GM-LOGO
 - △ CAVITY MARKING
 - △ CUSTOMER SIGN
 - △ PACKAGE: IN LAYERS IN CARTON
 - △ MATERIAL MARKING
 - △ PRODUCTION-DATE
 - △ SPECIAL PACKAGE FOR RUDE TRANSPORT: 180 PIECES IN LAYERS IN CARTON
 - △ BEFORE MATING WITH COUNTERPART MOVE SLIDE IN PRELOCK-POSITION

REV	QTY	DESCRIPTION	MATERIAL	SURFACE COLOR	WEIGHT	ITEM NO
B2	1	SLIDE	PA66-GF 30	RED	-	
B3	1	COVER CODING B	PBT-GF 15	BLUE	-	
B1	1	COVER CODING A	PBT-GF 15	BLACK	-	
	1	SLIDE	PA66-GF 30	RED	-	
	1	COVER CODING B	PBT-GF 15	BLUE	-	
	1	SLIDE	PA66-GF 30	RED	3,4	2
	1	COVER CODING A	PBT-GF 15	BLACK	12,1	1
ORDER NO.						
BESTELLNR.						

DATE	11 JUN 09	SCALE	5:1
DRAWN	H. Schmitt	CHECKED	H. Schmitt
APP'D		DATE	11 JUN 09
PRODUCT SPEC		APPLICATION SPEC	
REVISIONS		REVISIONS	
SIZE	A0	CASE CODE	00779
DRAWING NO.	1355541	RESTRICTED TO	
CUSTOMER DRAWING		SCALE	5:1