



Chipsmall Limited consists of a professional team with an average of over 10 year of expertise in the distribution of electronic components. Based in Hongkong, we have already established firm and mutual-benefit business relationships with customers from,Europe,America and south Asia,supplying obsolete and hard-to-find components to meet their specific needs.

With the principle of "Quality Parts,Customers Priority,Honest Operation,and Considerate Service",our business mainly focus on the distribution of electronic components. Line cards we deal with include Microchip,ALPS,ROHM,Xilinx,Pulse,ON,Everlight and Freescale. Main products comprise IC,Modules,Potentiometer,IC Socket,Relay,Connector.Our parts cover such applications as commercial,industrial, and automotives areas.

We are looking forward to setting up business relationship with you and hope to provide you with the best service and solution. Let us make a better world for our industry!



Contact us

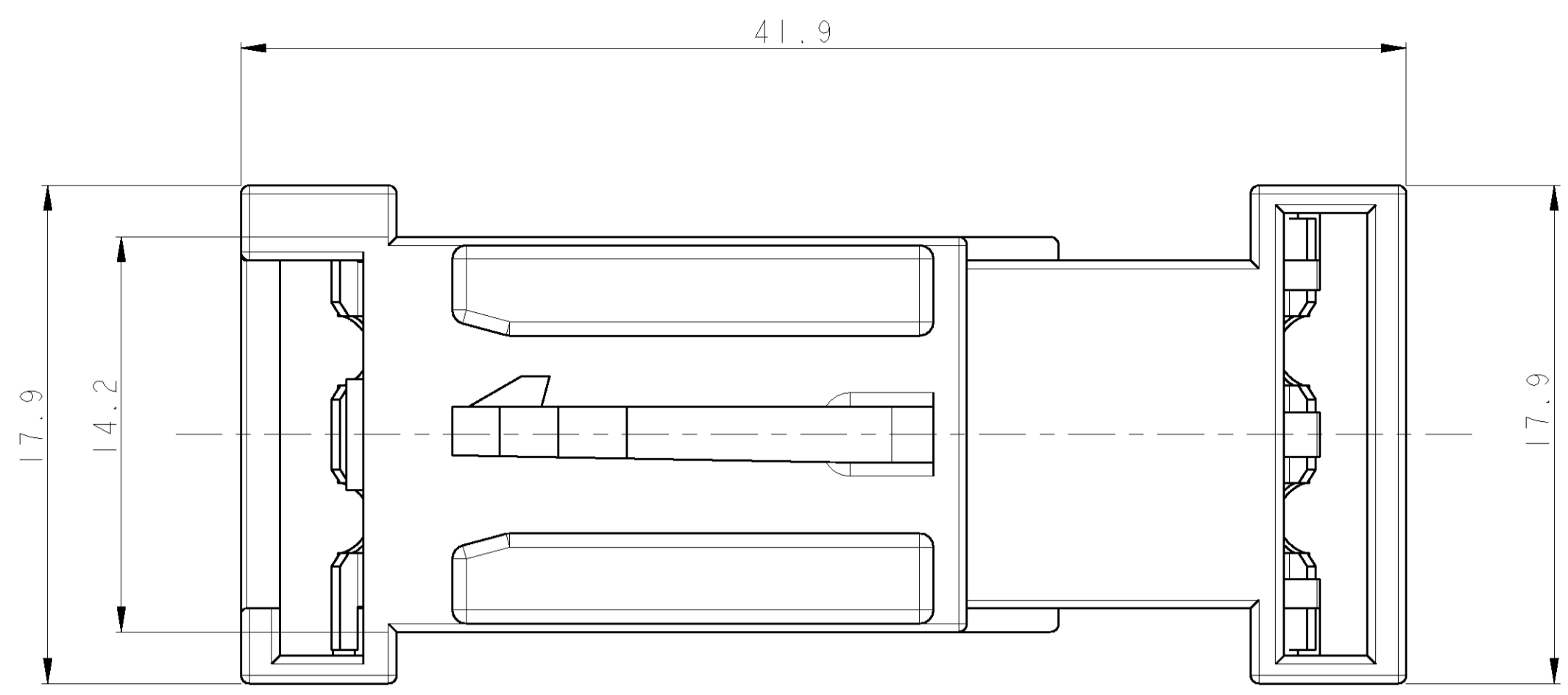
Tel: +86-755-8981 8866 Fax: +86-755-8427 6832

Email & Skype: info@chipsmall.com Web: www.chipsmall.com

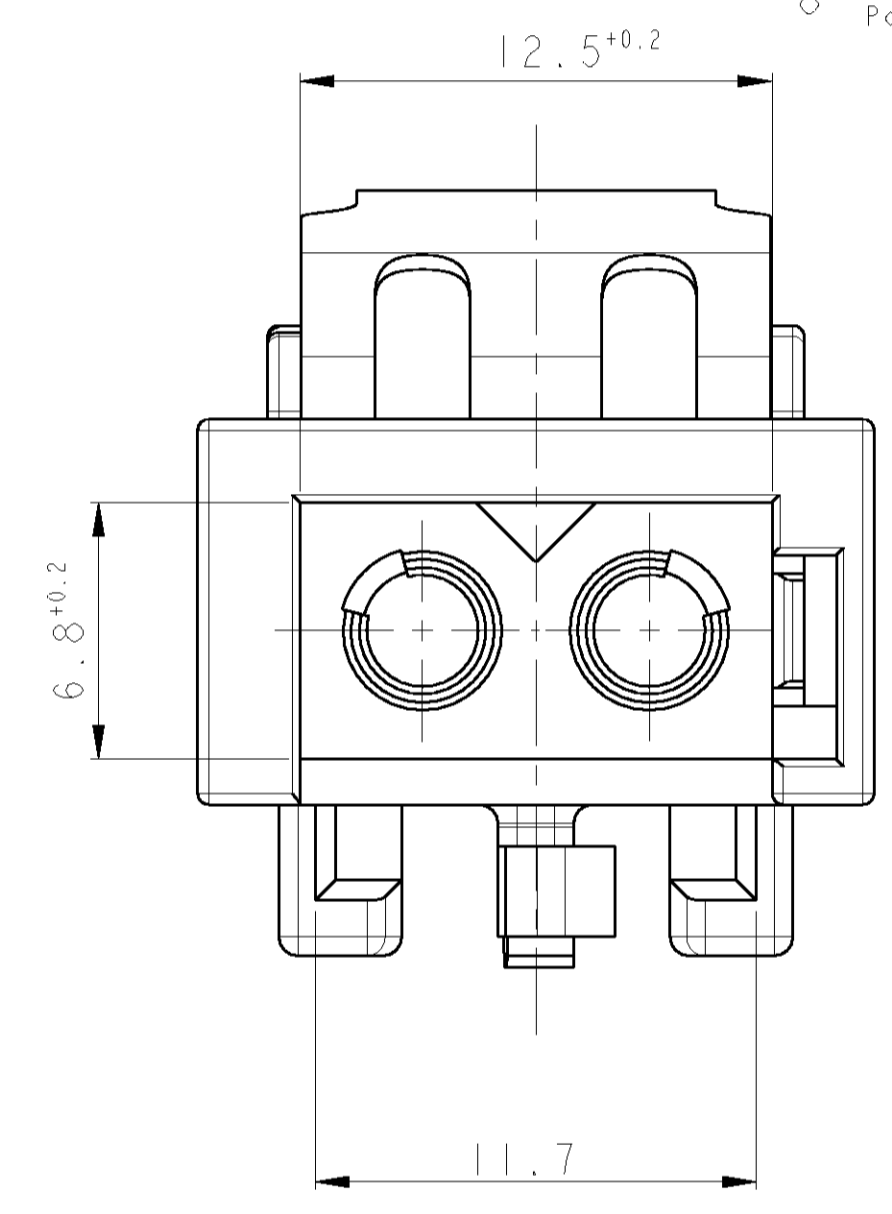
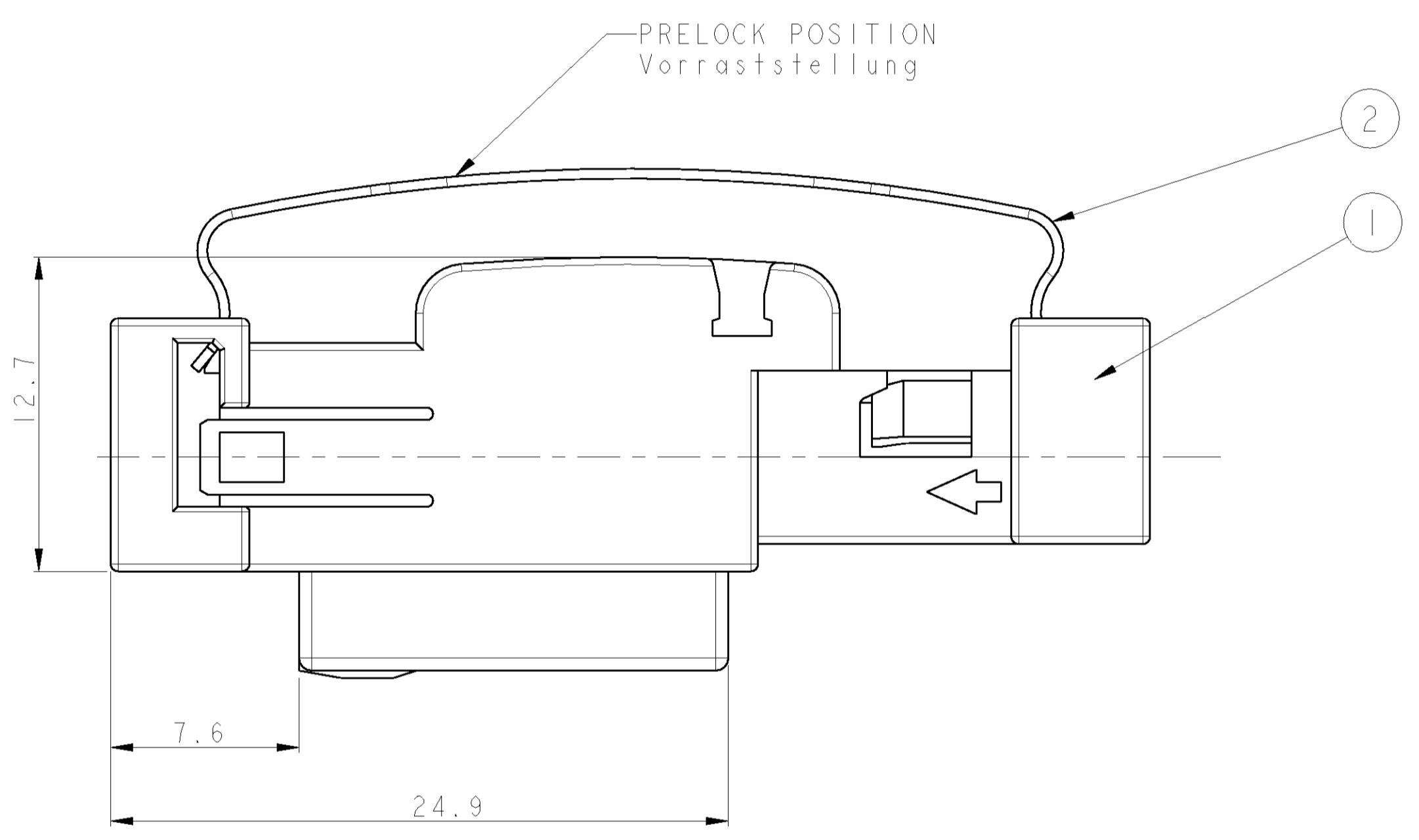
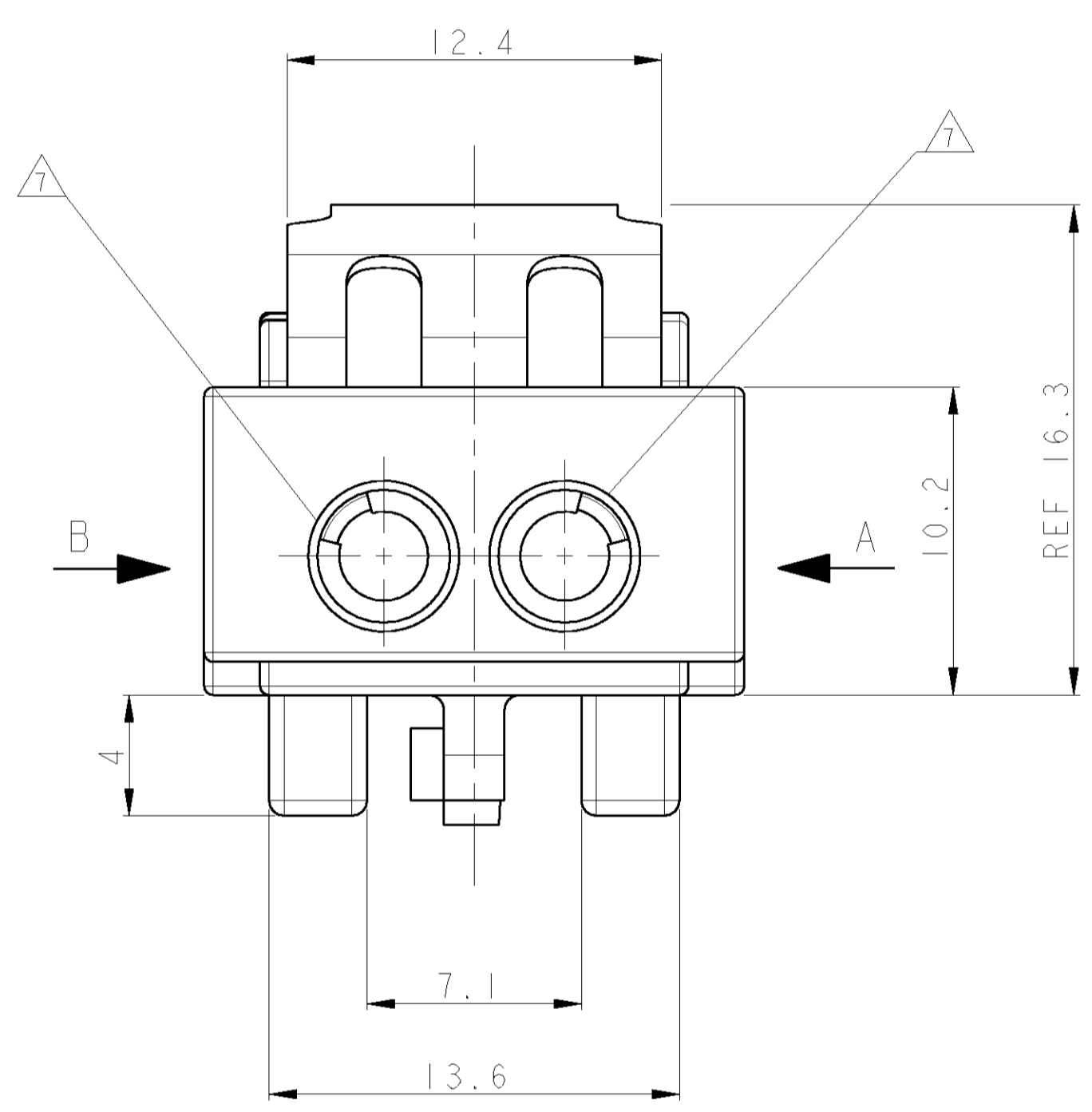
Address: A1208, Overseas Decoration Building, #122 Zhenhua RD., Futian, Shenzhen, China



LOC	DIST	REVISIONS					
		P	LTR	DESCRIPTION	DATE	DWN	APVD
A	-	G1		SEE PCN EG00-1975-02-1	17JUN2002	M. K.	Y. A.



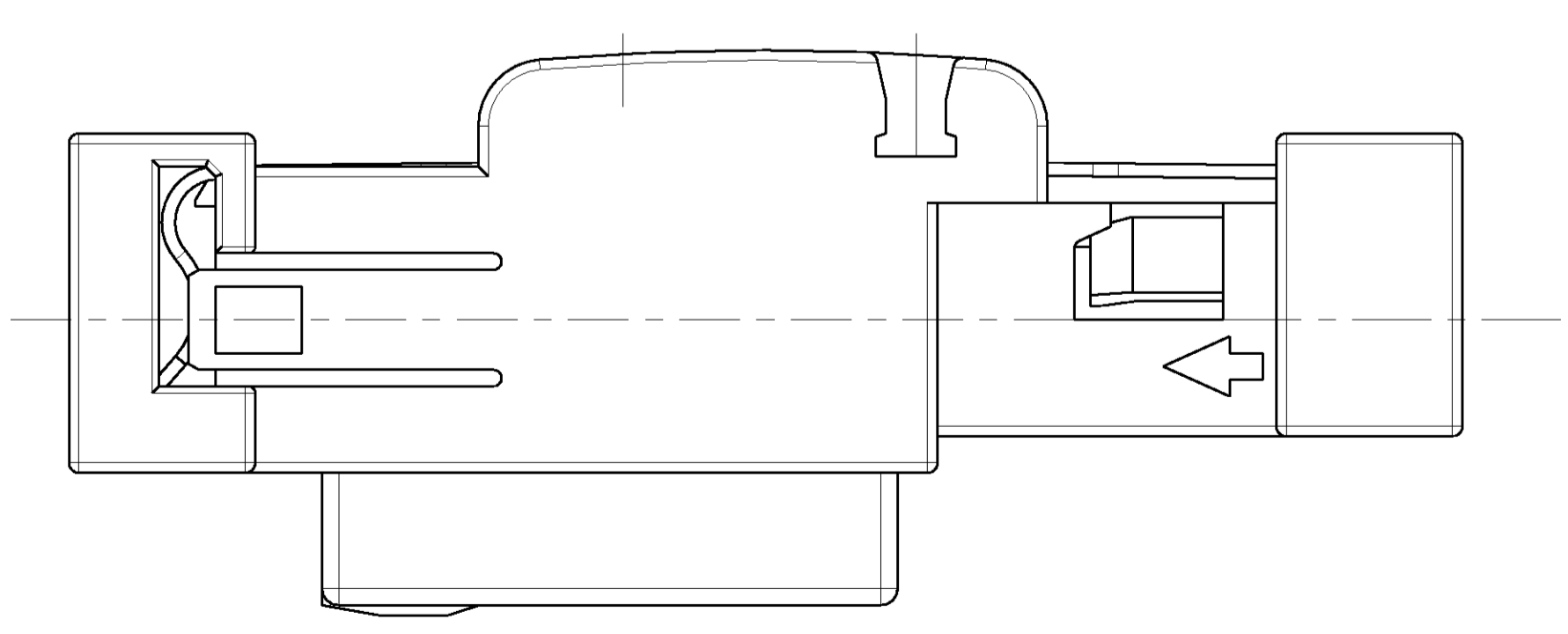
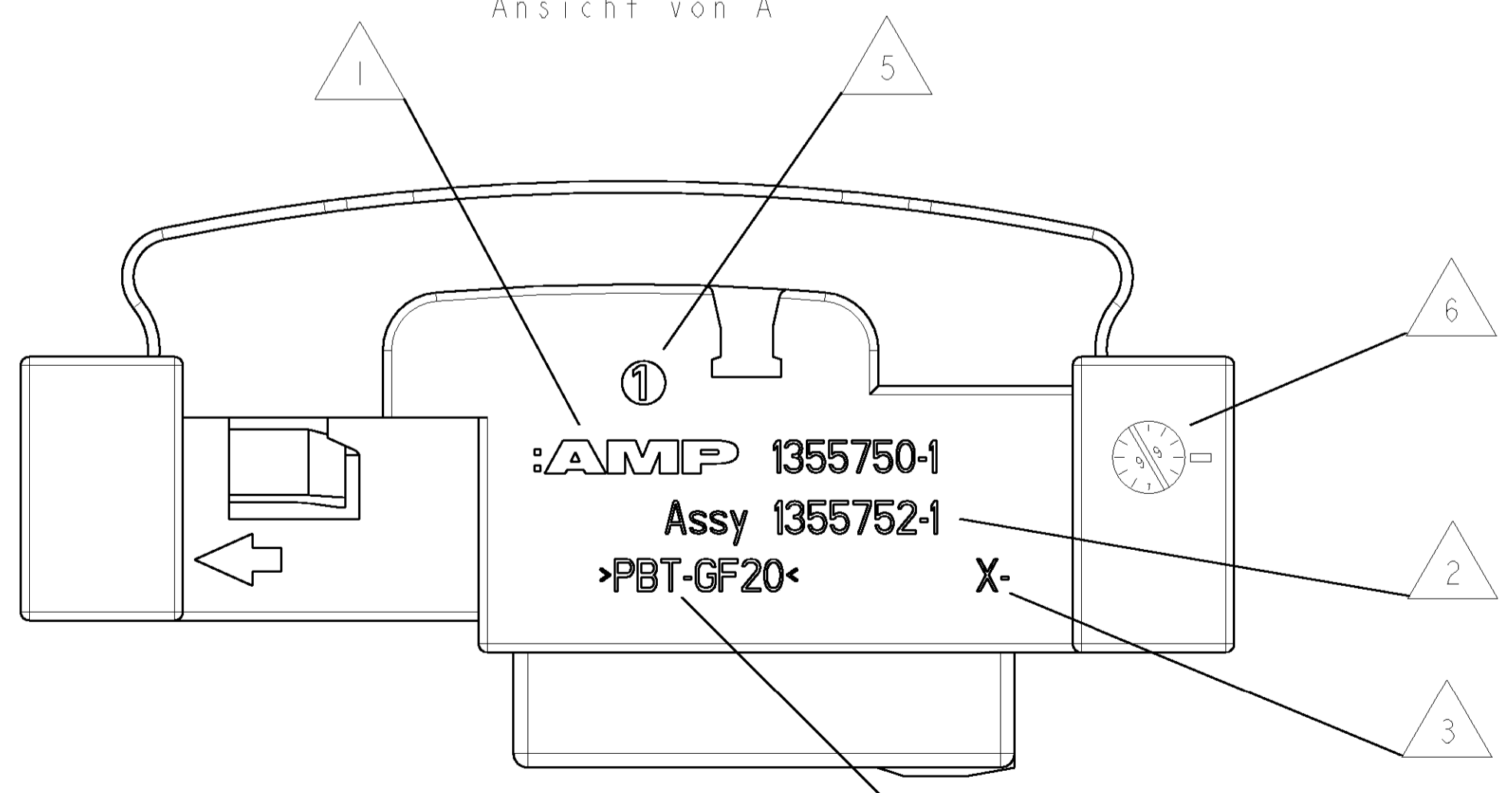
- NOTES
Bemerkungen
- ① AMP-LOGO
AMP-Logo
 - ② ORDER-NUMBER
Bestell-Nummer
 - ③ REVISIONS-NUMBER
Werkzeugaenderungsindex
 - ④ MATERIAL MARKING
Werkstoffkennzeichnung
 - ⑤ CAVITY MARKING
Nestmarkierung
 - ⑥ PRODUCTION-DATE
Produktionsdatum
 - ⑦ ACCORDING TO SPECIFICATION 114-18362-002
WITH FOLLOWING EXCEPTIONS
HIGHT OF SOCKET CYLINDER,
SOCKET CYLINDER NOT CLOSED.
Nach Ausfuehrungsvorschrift 114-18362-002
mit folgender Ausnahme: Hoehe des
Buchsenzylinders nicht spezifiziert,
Buchsenzylinder nicht geschlossen.
 - ⑧ MATED WITH 1355531, 1355868-1, 1355532-3, 1394233-1
Passend zu 1355531, 1355868-1, 1355532-1, 1394233-1



VIEW A
Ansicht von A

VIEW B
Ansicht von B

ENDLOCK POSITION
Endraststellung



CUSTOMER NO	PART NO	REV.	DESCRIPTION	MATERIAL	COLOUR	QTY.	ITEM NO
	1355752-1	G	SPRING HOUSING	CrNi STEEL PBT-GF20	BLANK BLACK	1 1	2 1

DIMENSIONS: mm		TOLERANCES UNLESS OTHERWISE SPECIFIED:		DWN H. Meinhardt 18NOV99	AMP Deutschland GmbH D - 63225 Langen
0 PLC	±0.3	1 PLC	±0.3	CHK M. Kressmann 17JAN00	AMP
2 PLC	±	3 PLC	±	APVD	NAME FIBER OPTIC INLINE HOUSING, 2POS.
4 PLC	±	5 PLC	±	PRODUCT SPEC	
ANGLES	±	6 PLC	±	APPLICATION SPEC	
FINISH		7 PLC	±	WEIGHT	SIZE A 00779
		8 PLC	±	CUSTOMER DRAWING	SCALE 5:1
					SHEET 1 OF 1
					REV G1