



Chipsmall Limited consists of a professional team with an average of over 10 year of expertise in the distribution of electronic components. Based in Hongkong, we have already established firm and mutual-benefit business relationships with customers from,Europe,America and south Asia,supplying obsolete and hard-to-find components to meet their specific needs.

With the principle of “Quality Parts,Customers Priority,Honest Operation,and Considerate Service”,our business mainly focus on the distribution of electronic components. Line cards we deal with include Microchip,ALPS,ROHM,Xilinx,Pulse,ON,Everlight and Freescale. Main products comprise IC,Modules,Potentiometer,IC Socket,Relay,Connector.Our parts cover such applications as commercial,industrial, and automotives areas.

We are looking forward to setting up business relationship with you and hope to provide you with the best service and solution. Let us make a better world for our industry!



Contact us

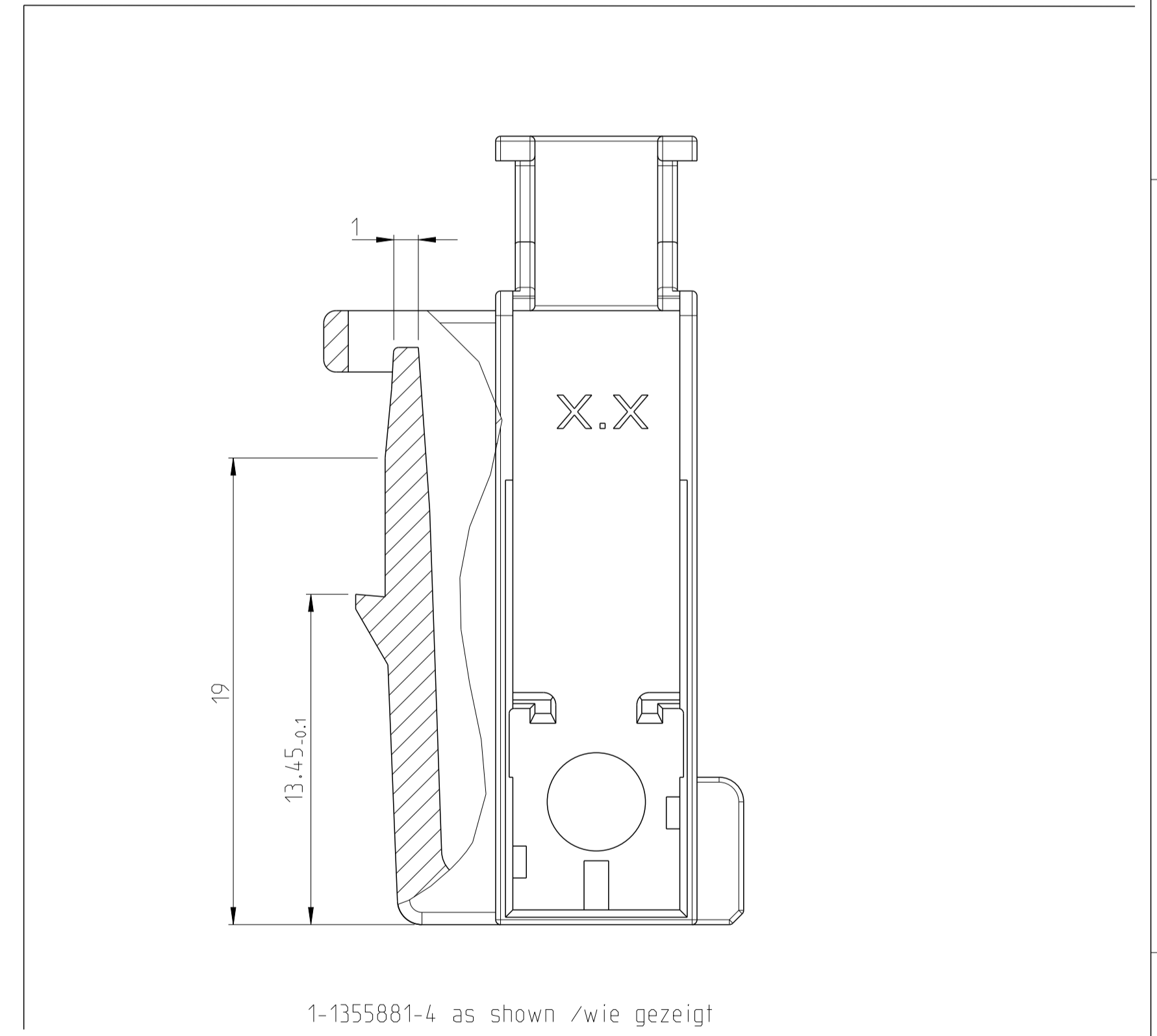
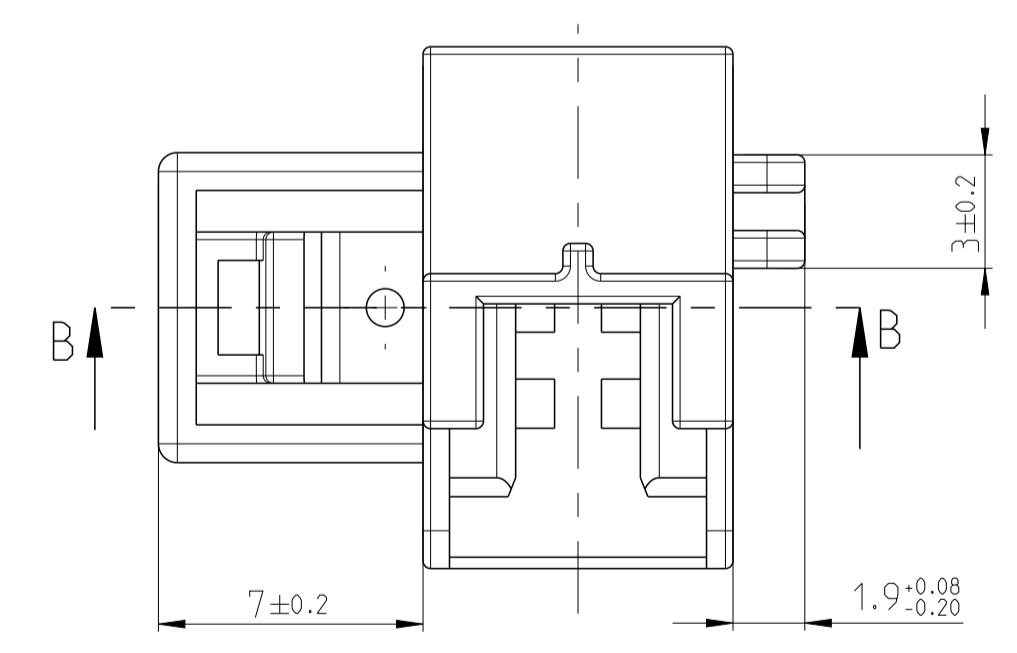
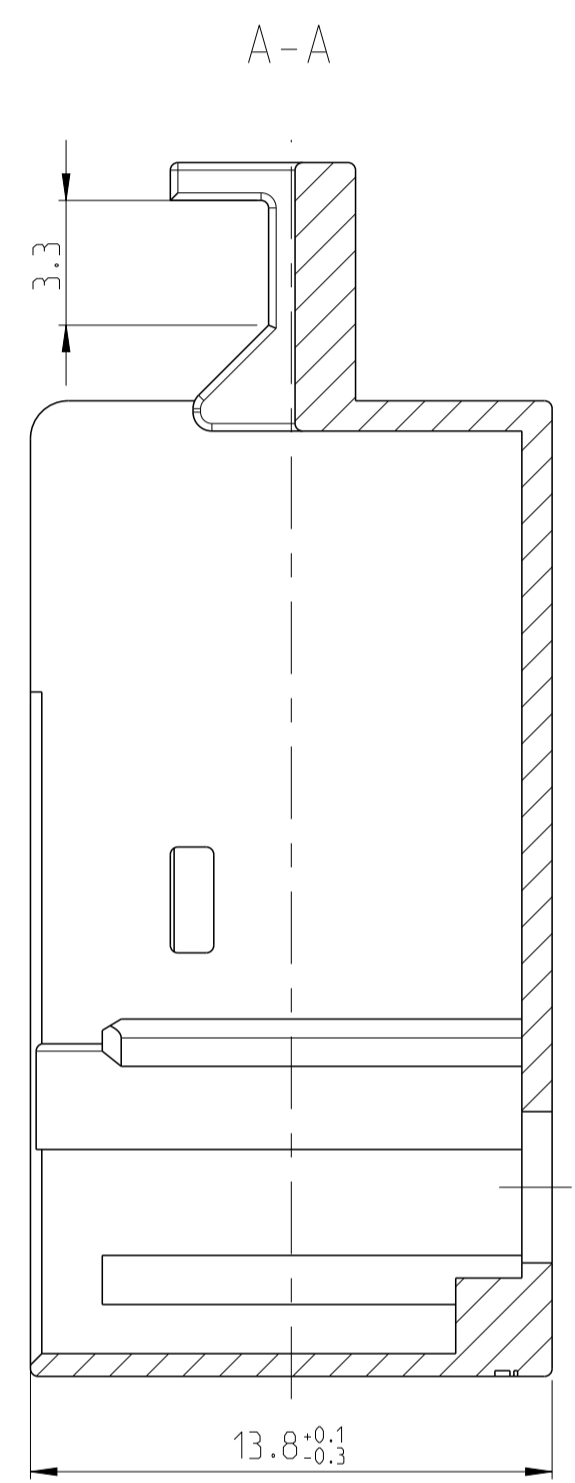
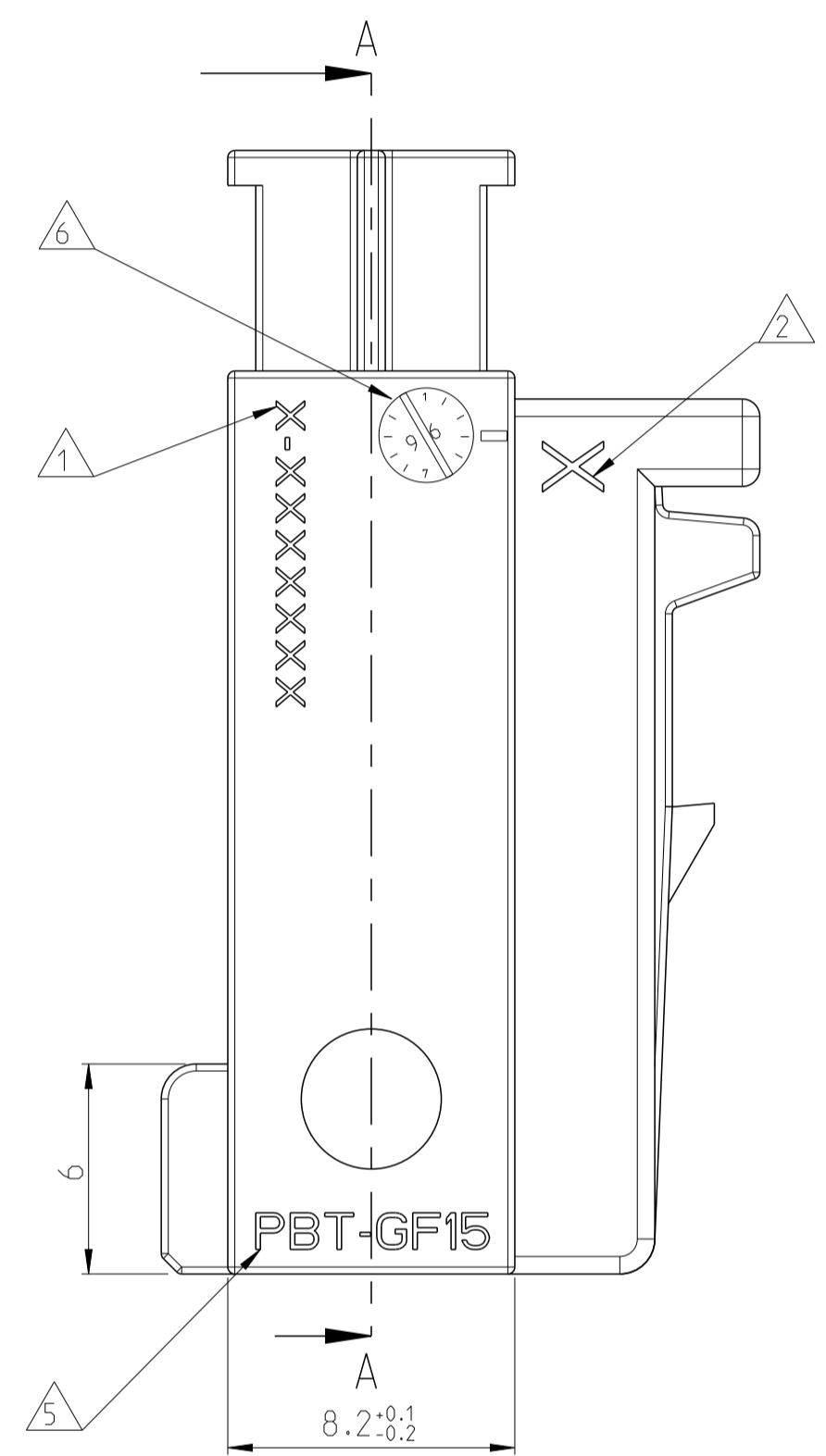
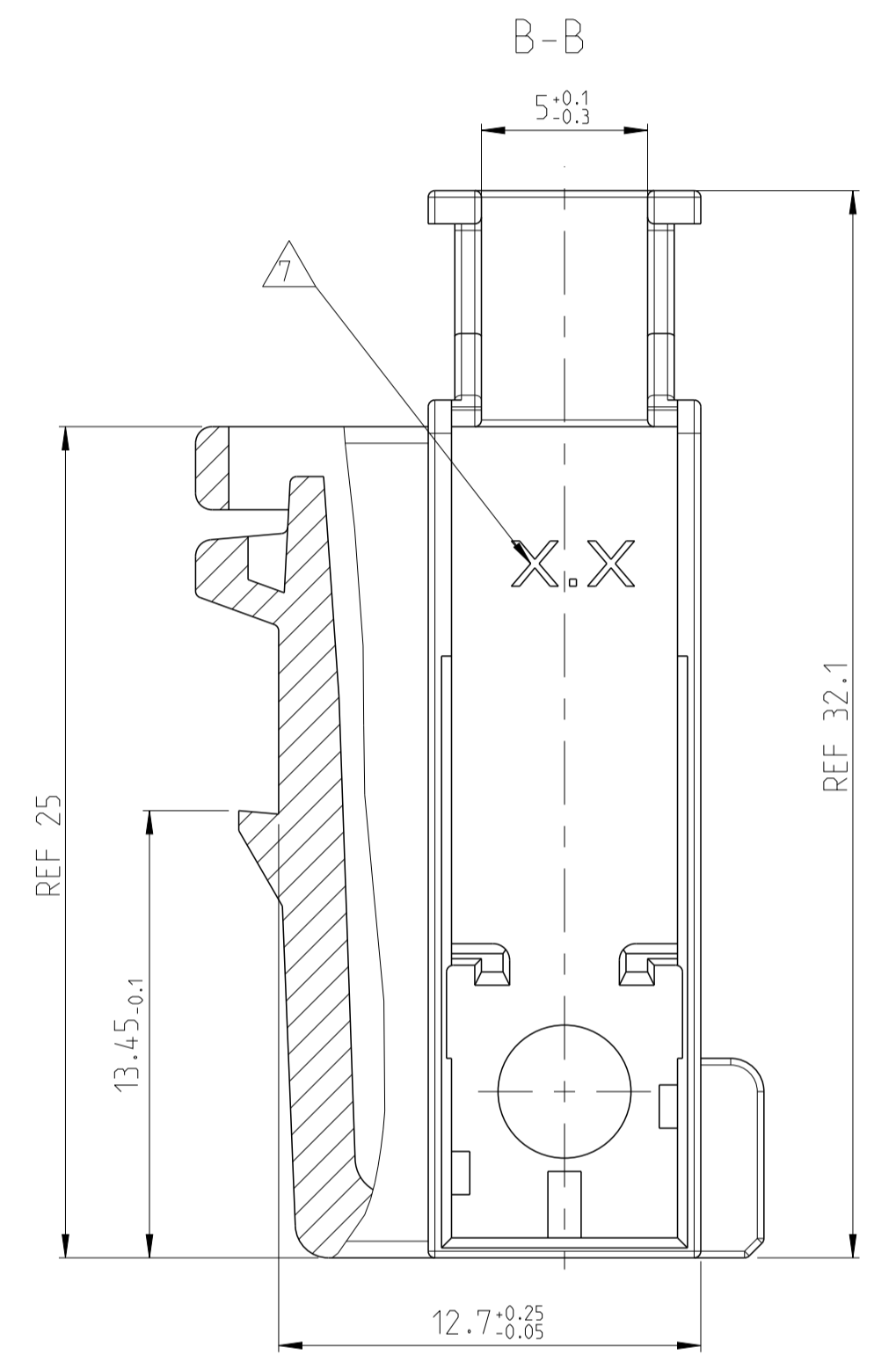
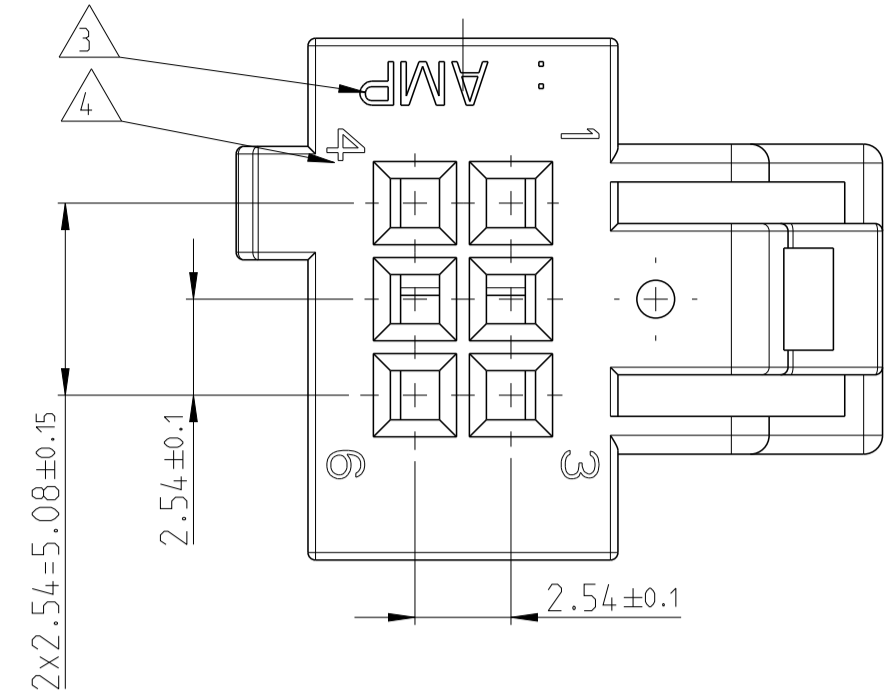
Tel: +86-755-8981 8866 Fax: +86-755-8427 6832

Email & Skype: info@chipsmall.com Web: www.chipsmall.com

Address: A1208, Overseas Decoration Building, #122 Zhenhua RD., Futian, Shenzhen, China



| Project No.: PRJ-11-5807 | | LOC | DIST | REVISIONS | | | |
|--------------------------|-----|-----------------|-----------|-----------|------|--|--|
| P | LTN | DESCRIPTION | DATE | DWN | APVD | | |
| A2 | | SEE E-12-020238 | 21NOV2012 | SK | RH | | |



- NOTES
BEMERKUNGEN
- NV NOTE NOT VALID
Bemerkung nicht verwendet
 - 1 ORDER NUMBER
BESTELL-NUMMER
 - 2 REVISION NUMBER
WERKZEUGAENDERUNGSINDEX
 - 3 TE LOGO
 - 4 CONTACT CAVITY NUMBER
KONTAKTKAMMERNUMMER
 - 5 MATERIAL MARKING
WERKSTOFFKENNZEICHNUNG
 - 6 PRODUCTION DATE
PRODUKTIONSdatum
 - 7 TOOL CAVITY MARKING
NESTMARKIERUNG
 - 8 PACKAGING: BULK MATERIAL IN CARDBOARD BOX
VERPACKUNG: SCHUETTIGUT IN KARTON

| QTY | TE ORDER NO | TE BESTELLNUMMER | REV | DESCRIPTION | MATERIAL | SURFACE COLOR | WEIGHT | ITEM NO |
|-----|-------------|------------------|-----|------------------|----------|---------------|--------|---------|
| | 1-1355881-4 | | A | SHIELD, 6WAY MQS | PBT-GF15 | NATURE | 1.6 | 4 |
| | 0-1355881-3 | | A | SHIELD, 6WAY MQS | PBT-GF15 | WHITE | 1.6 | 3 |
| | 0-1355881-2 | | A | SHIELD, 6WAY MQS | PBT-GF15 | BLUE | 1.6 | 2 |
| | 0-1355881-1 | | A | SHIELD, 6WAY MQS | PBT-GF15 | BLACK | 1.6 | 1 |

1355881-1 as shown /wie gezeigt

| | | |
|----------------|-----------------|-----------------------|
| 114-18659 | - | - |
| INTERFACE SPEC | GM-Abbreviation | BENENNUNG DESCRIPTION |
| MATED WITH | Passend zu | |

THIS DRAWING IS A CONTROLLED DOCUMENT. DIMENSIONING AND TOLERANCING PER GPS (ISO STANDARDS). TOLERANCES UNLESS OTHERWISE SPECIFIED:

| | | | | | | | | | |
|-------------|----|------------|------------|------------|------------|------------|-------------|--------|---|
| DIMENSIONS: | mm | 0 PLC ±0.3 | 1 PLC ±0.3 | 2 PLC ±0.3 | 3 PLC ±0.3 | 4 PLC ±0.3 | ANGLES ±0.1 | FINISH | - |
|-------------|----|------------|------------|------------|------------|------------|-------------|--------|---|

DWN: S. Köttny 20NOV2012
 CHK: R. Hecker 21NOV2012

STE TE Connectivity

NAME: SHIELD FOR 6 POS. MQS SOCKET HOUSING
 6 pol. MQS Griffschale

SIZE: A1 CAGE CODE: 00779 DRAWING NO: 1355881

RESTRICTED TO: Customer Drawing SCALE: 5:1 SHEET: 1 OF 1 REV: A2