



Chipsmall Limited consists of a professional team with an average of over 10 year of expertise in the distribution of electronic components. Based in Hongkong, we have already established firm and mutual-benefit business relationships with customers from,Europe,America and south Asia,supplying obsolete and hard-to-find components to meet their specific needs.

With the principle of “Quality Parts,Customers Priority,Honest Operation,and Considerate Service”,our business mainly focus on the distribution of electronic components. Line cards we deal with include Microchip,ALPS,ROHM,Xilinx,Pulse,ON,Everlight and Freescale. Main products comprise IC,Modules,Potentiometer,IC Socket,Relay,Connector.Our parts cover such applications as commercial,industrial, and automotives areas.

We are looking forward to setting up business relationship with you and hope to provide you with the best service and solution. Let us make a better world for our industry!



## Contact us

Tel: +86-755-8981 8866 Fax: +86-755-8427 6832

Email & Skype: info@chipsmall.com Web: www.chipsmall.com

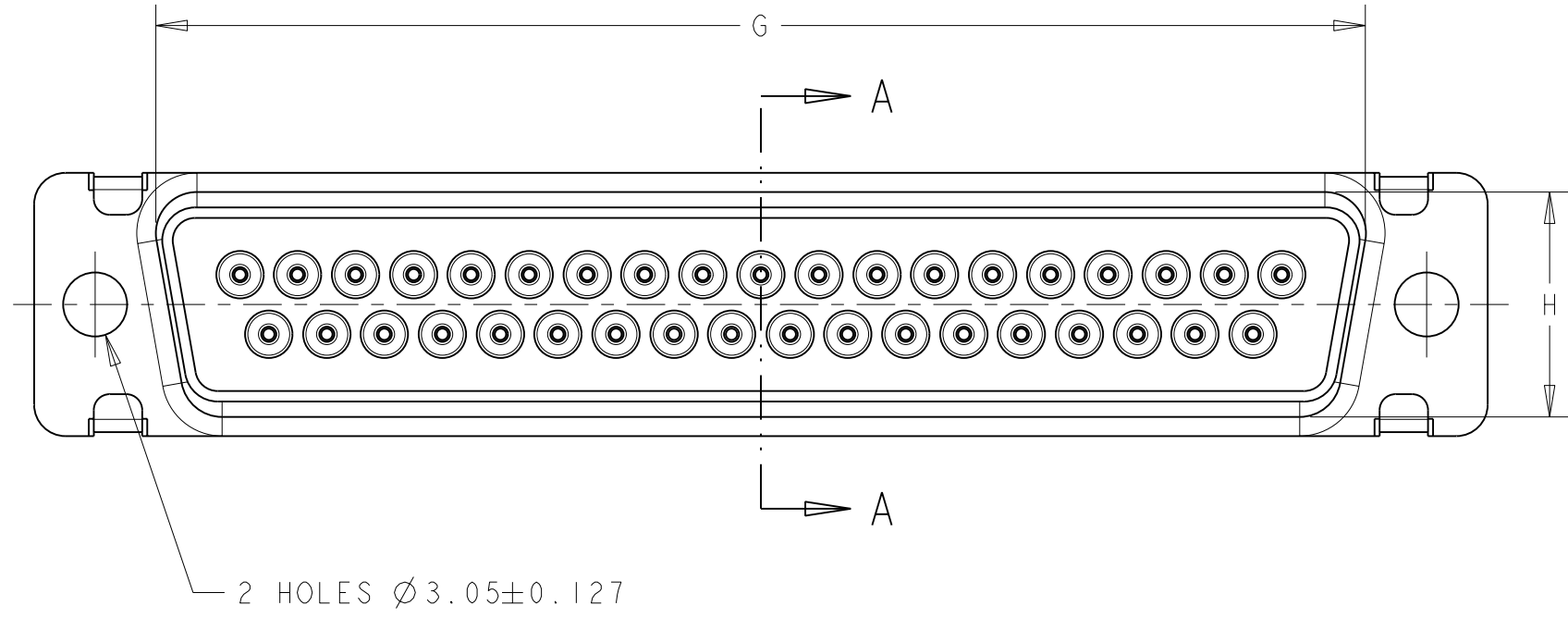
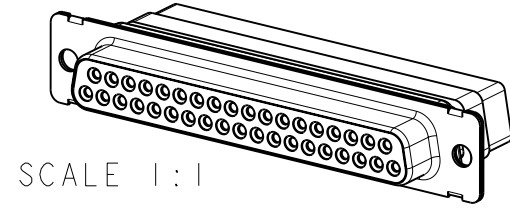
Address: A1208, Overseas Decoration Building, #122 Zhenhua RD., Futian, Shenzhen, China



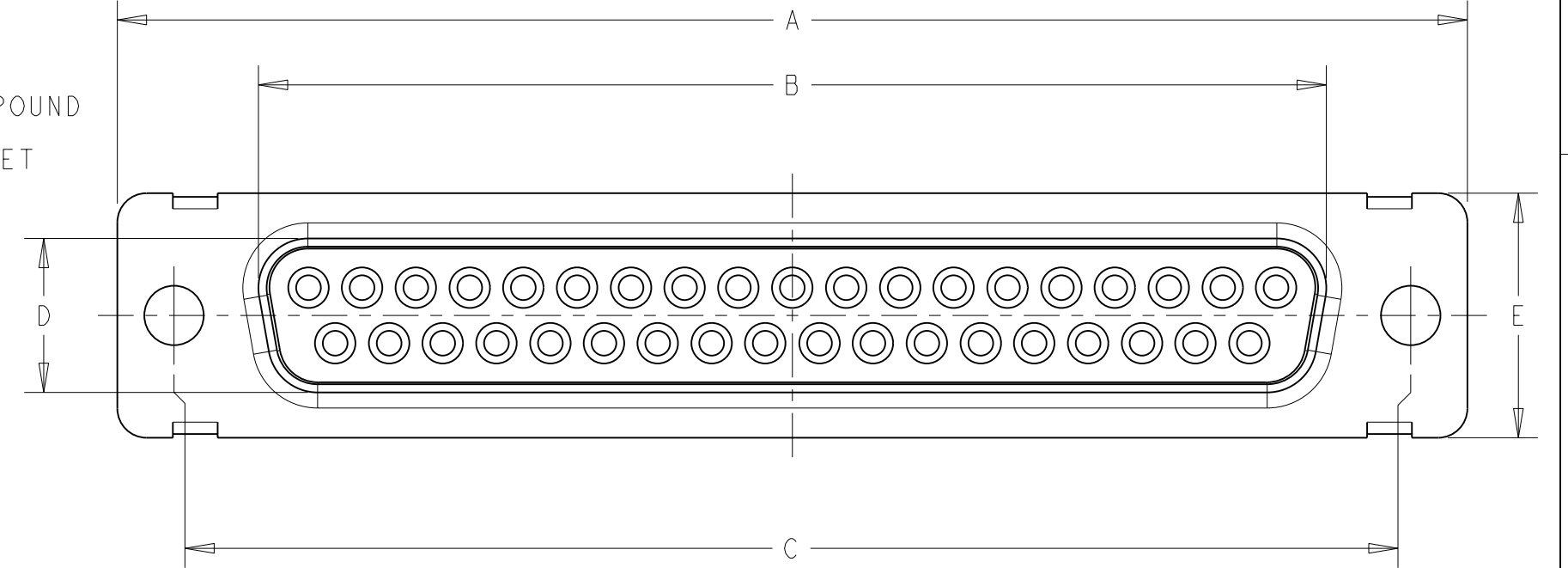
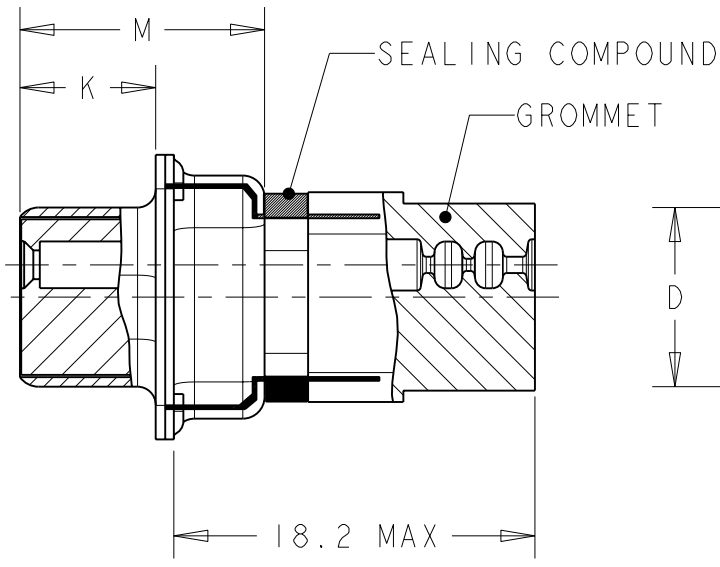
THIS DRAWING IS UNPUBLISHED. RELEASED FOR PUBLICATION 20  
 © COPYRIGHT 20 Tyco Electronics AMP GmbH ALL RIGHTS RESERVED.

LOC	DIST	REVISIONS					
F	00	P	LTR	DESCRIPTION	DATE	DWN	APVD
		C		CLARIFICATIONS	23APR2009	JT	YP
		D		CHANGE FORMAT AND MODIF NOTE 5	28OCT2011	JT	YP

# RECEPTACLE-MDE TYPE



## SECTION A-A



10.90	6.17	55.32	13.56	15.37	10.74	61.11	52.43	66.93	RECEPTACLE	50	5	MDE308G-50S2-001	2-135787-0
10.90	6.17	57.71	10.72	12.55	7.90	63.50	54.84	69.32	RECEPTACLE	37	4	MDE308G-37S2-001	1-135787-8
10.90	6.17	41.30	10.72	12.55	7.90	47.04	38.38	53.04	RECEPTACLE	25	3	MDE308G-25S2-001	1-135787-6
10.90	6.17	27.51	10.72	12.55	7.90	33.32	24.66	39.14	RECEPTACLE	15	2	MDE308G-15S2-001	1-135787-4
10.90	6.17	19.28	10.72	12.55	7.90	24.99	16.33	30.81	RECEPTACLE	09	1	MDE308G-9S2-001	1-135787-2
10.90	6.17	55.32	13.56	15.37	10.74	61.11	52.43	66.93	RECEPTACLE WITH SOCKET CONTACTS	50	5	MDE308G-50S2	1-135787-0
10.90	6.17	57.71	10.72	12.55	7.90	63.50	54.84	69.32	RECEPTACLE WITH SOCKET CONTACTS	37	4	MDE308G-37S2	135787-8
10.90	6.17	41.30	10.72	12.55	7.90	47.04	38.38	53.04	RECEPTACLE WITH SOCKET CONTACTS	25	3	MDE308G-25S2	135787-6
10.90	6.17	27.51	10.72	12.55	7.90	33.32	24.66	39.14	RECEPTACLE WITH SOCKET CONTACTS	15	2	MDE308G-15S2	135787-4
10.90	6.17	19.28	10.72	12.55	7.90	24.99	16.33	30.81	RECEPTACLE WITH SOCKET CONTACTS	09	1	MDE308G-9S2	135787-2
M±0.25	K±0.13	G±0.25	H±0.25	E±0.38	D±0.13	C±0.13	B±0.13	A±0.38	DESCRIPTION	NB POS.	SIZE	OLD P/N	P/N 2
										STANDARD MOUNT			

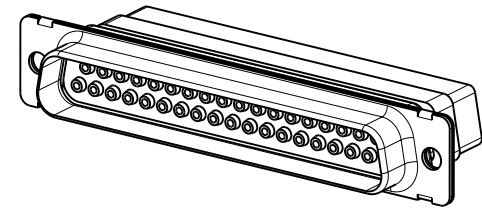
SEE NOTES ON LAST SHEET

THIS DRAWING IS A CONTROLLED DOCUMENT.		DWN BUON B. 17NOV1998	 TE Connectivity
DIMENSIONS: mm		CHK LOUDIEUX G. 17NOV1998	
TOLERANCES UNLESS OTHERWISE SPECIFIED:		APVD FURIO M. 17NOV1998	
0 PLC ±0.13 1 PLC ±0.13 2 PLC ±0.13 3 PLC ± 4 PLC ± ANGLES ± FINISH ±1		NAME SEALED SUB D CONNECTOR MDE - SERIES APPLICATION SPEC NOTE 7 WEIGHT - CUSTOMER DRAWING	
MATERIAL	NOTE 3	NOTE 4	SIZE A200779 CAGE CODE C-135787 DRAWING NO RESTRICTED TO SCALE 2:1 SHEET 1 OF 7 REV D

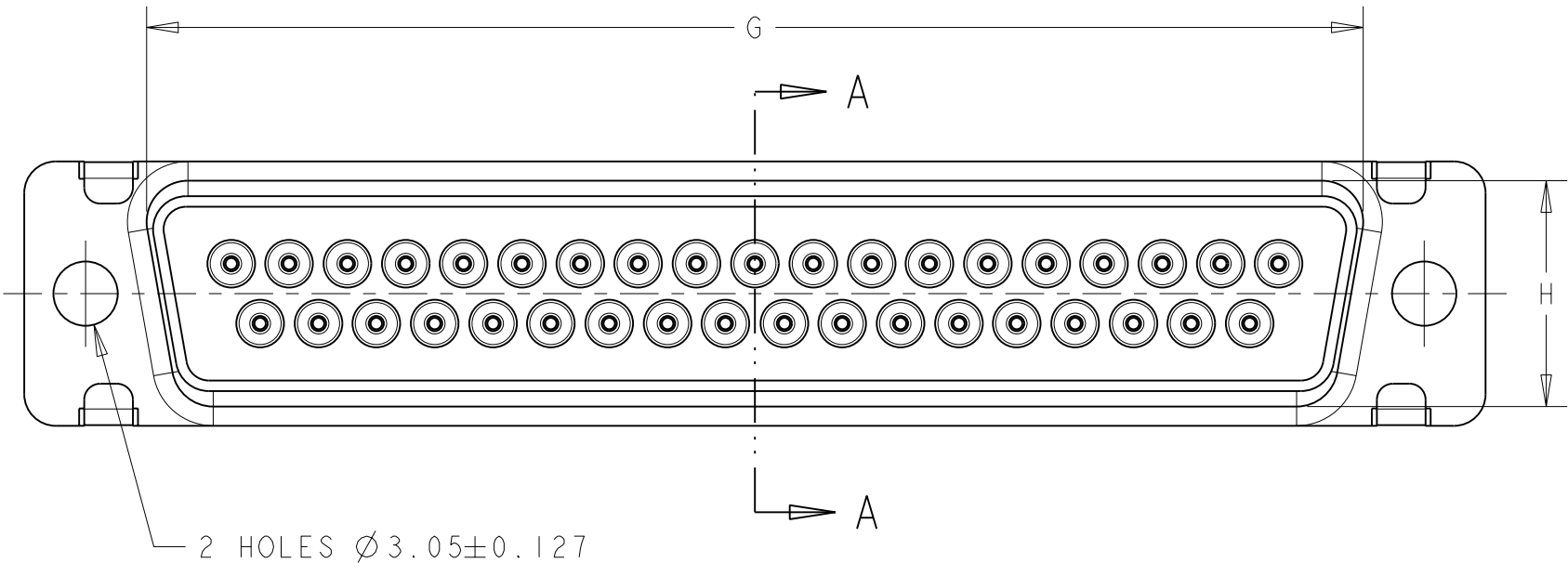
THIS DRAWING IS UNPUBLISHED. RELEASED FOR PUBLICATION 20  
 © COPYRIGHT 20 Tyco Electronics AMP GmbH ALL RIGHTS RESERVED.

LOC	DIST	REVISIONS					
F	00	P	LTR	DESCRIPTION	DATE	DWN	APVD
		-		SEE SHEET 1			

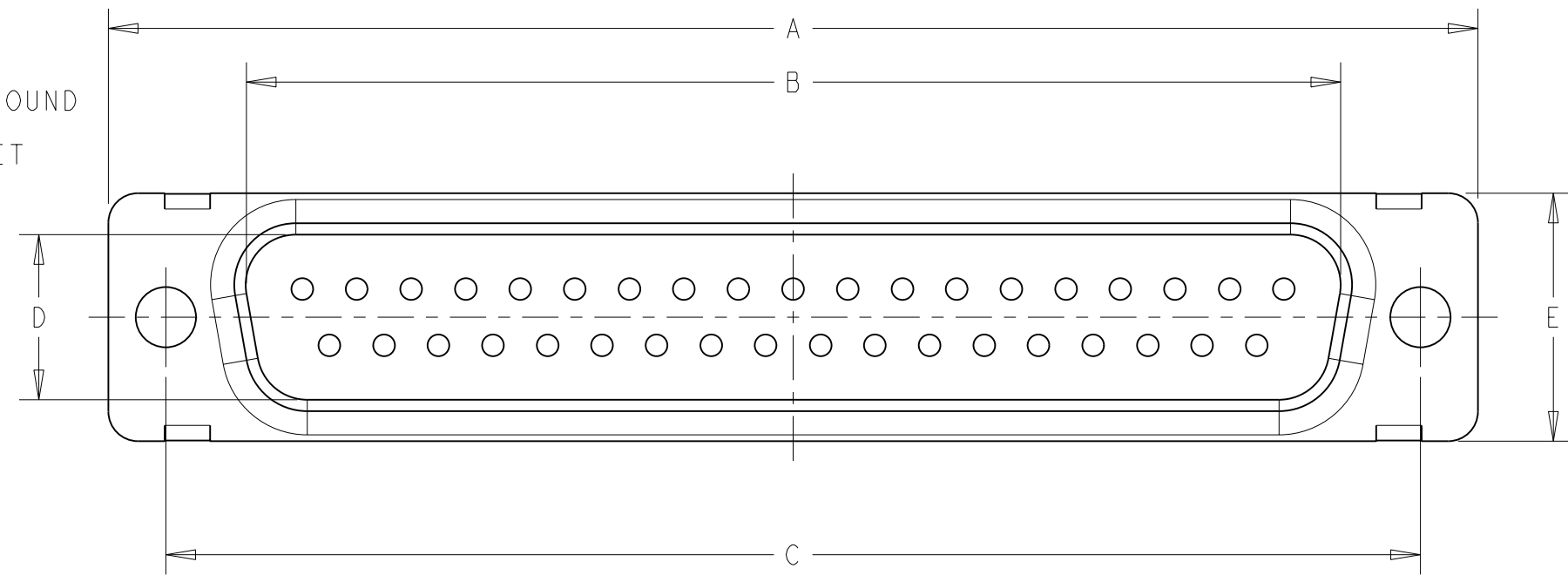
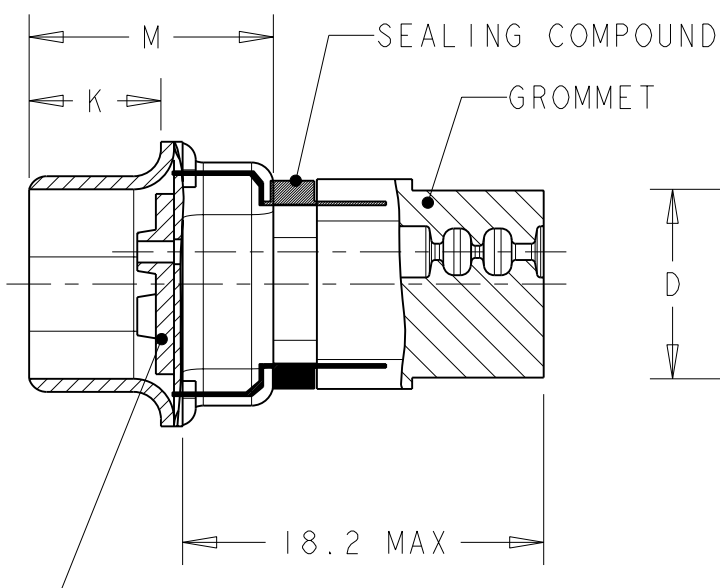
# PLUG-MDE TYPE



SCALE 1:1



## SECTION A - A



10.82	5.84	55.32	13.56	15.37	11.20	61.11	52.81	66.93	PLUG	50	5	MDE308G-50P2-001	1-135787-9
10.82	5.84	57.71	10.72	12.55	8.36	63.50	55.42	69.32	PLUG	37	4	MDE308G-37P2-001	1-135787-7
10.82	5.84	41.30	10.72	12.55	8.36	47.04	38.96	53.04	PLUG	25	3	MDE308G-25P2-001	1-135787-5
10.72	5.97	27.51	10.72	12.55	8.36	33.32	25.25	39.14	PLUG	15	2	MDE308G-15P2-001	1-135787-3
10.72	5.97	19.28	10.72	12.55	8.36	24.99	16.92	30.81	PLUG	09	1	MDE308G-9P2-001	1-135787-1
10.82	5.84	55.32	13.56	15.37	11.20	61.11	52.81	66.93	PLUG WITH PIN CONTACTS	50	5	MDE308G-50P2	135787-9
10.82	5.84	57.71	10.72	12.55	8.36	63.50	55.42	69.32	PLUG WITH PIN CONTACTS	37	4	MDE308G-37P2	135787-7
10.82	5.84	41.30	10.72	12.55	8.36	47.04	38.96	53.04	PLUG WITH PIN CONTACTS	25	3	MDE308G-25P2	135787-5
10.72	5.97	27.51	10.72	12.55	8.36	33.32	25.25	39.14	PLUG WITH PIN CONTACTS	15	2	MDE308G-15P2	135787-3
10.72	5.97	19.28	10.72	12.55	8.36	24.99	16.92	30.81	PLUG WITH PIN CONTACTS	09	1	MDE308G-9P2	135787-1
M±0.25	K±0.13	G±0.25	H±0.25	E±0.38	D±0.13	C±0.13	B±0.13	A±0.38	DESCRIPTION	Nb POS.	SIZE	OLD P/N	P/N 2
										STANDARD MOUNT			

SEE NOTES ON LAST SHEET

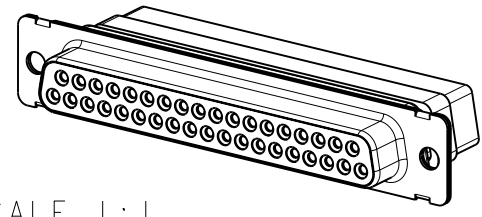
THIS DRAWING IS A CONTROLLED DOCUMENT.		DWN BUON B. 17NOV1998	<b>STE</b> TE Connectivity	
		CHK LOUDIEUX G. 17NOV1998		
DIMENSIONS: mm		APVD FURIO M. 17NOV1998	NAME SEALED SUB D CONNECTOR MDE - SERIES	
TOLERANCES UNLESS OTHERWISE SPECIFIED:		PRODUCT SPEC	SIZE CAGE CODE DRAWING NO RESTRICTED TO	
0 PLC ±0.13		APPLICATION SPEC	A200779C-135787	
1 PLC ±0.13		NOTE 7	SCALE 2:1 SHEET 2 OF 7 REV D	
2 PLC ±0.13		WEIGHT		
3 PLC ±		CUSTOMER DRAWING		
4 PLC ±				
ANGLES ±1				
FINISH				



THIS DRAWING IS UNPUBLISHED. RELEASED FOR PUBLICATION 20  
 © COPYRIGHT 20 Tyco Electronics AMP GmbH ALL RIGHTS RESERVED.

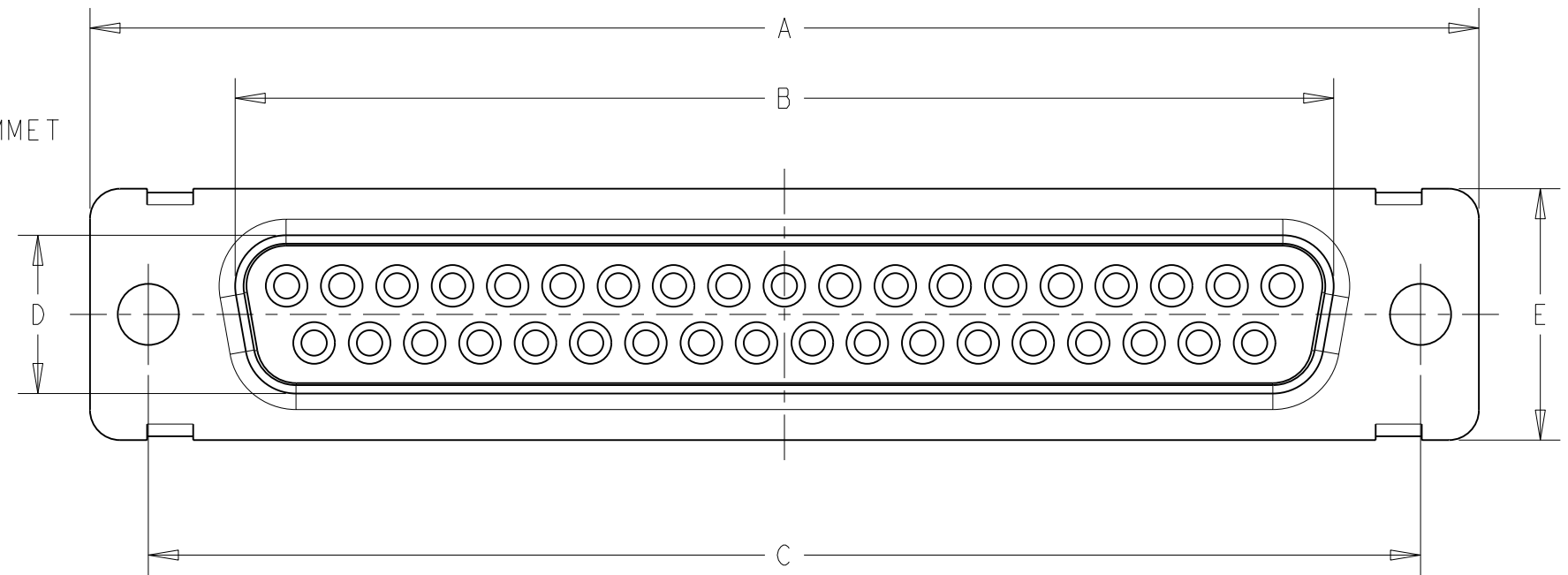
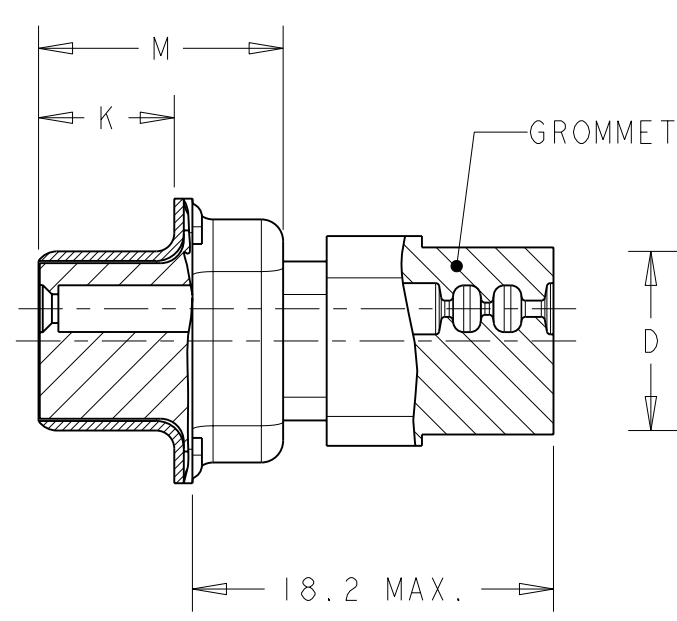
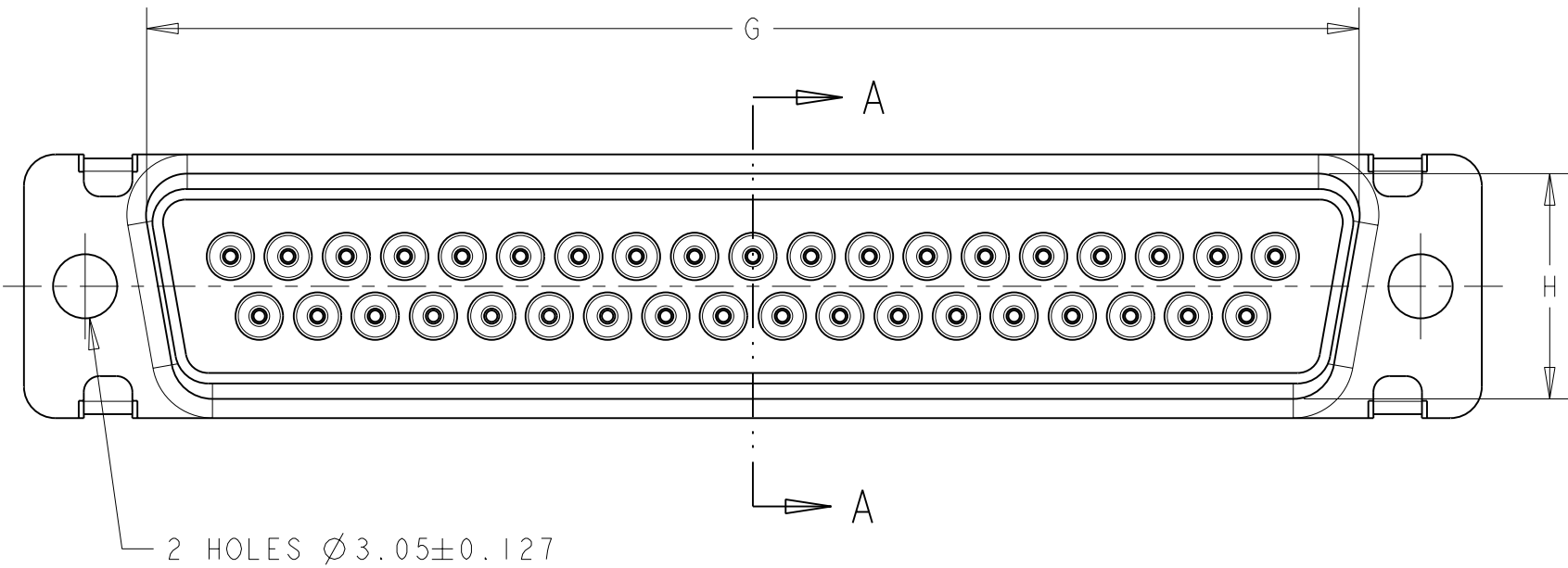
LOC	DIST	REVISIONS			
P	LTR	DESCRIPTION	DATE	DWN	APVD
F	00	SEE SHEET 1	-	-	-

# RECEPTACLE-MDG TYPE



SCALE 1:1

## SECTION A-A



10.90	6.17	55.32	13.56	15.37	10.74	61.11	52.43	66.93	RECEPTACLE	50	5	MDG308G-50S2-001	4-135787-0
10.90	6.17	57.71	10.72	12.55	7.90	63.50	54.84	69.32	RECEPTACLE	37	4	MDG308G-37S2-001	3-135787-8
10.90	6.17	41.30	10.72	12.55	7.90	47.04	38.38	53.04	RECEPTACLE	25	3	MDG308G-25S2-001	3-135787-6
10.90	6.17	27.51	10.72	12.55	7.90	33.32	24.66	39.14	RECEPTACLE	15	2	MDG308G-15S2-001	3-135787-4
10.90	6.17	19.28	10.72	12.55	7.90	24.99	16.33	30.81	RECEPTACLE	09	1	MDG308G-9S2-001	3-135787-2
10.90	6.17	55.32	13.56	15.37	10.74	61.11	52.43	66.93	RECEPTACLE WITH SOCKET CONTACTS	50	5	MDG308G-50S2	3-135787-0
10.90	6.17	57.71	10.72	12.55	7.90	63.50	54.84	69.32	RECEPTACLE WITH SOCKET CONTACTS	37	4	MDG308G-37S2	2-135787-8
10.90	6.17	41.30	10.72	12.55	7.90	47.04	38.38	53.04	RECEPTACLE WITH SOCKET CONTACTS	25	3	MDG308G-25S2	2-135787-6
10.90	6.17	27.51	10.72	12.55	7.90	33.32	24.66	39.14	RECEPTACLE WITH SOCKET CONTACTS	15	2	MDG308G-15S2	2-135787-4
10.90	6.17	19.28	10.72	12.55	7.90	24.99	16.33	30.81	RECEPTACLE WITH SOCKET CONTACTS	09	1	MDG308G-9S2	2-135787-2
M±0.25	K±0.13	G±0.25	H±0.25	E±0.38	D±0.13	C±0.13	B±0.13	A±0.38	DESCRIPTION	Nb POS.	SIZE	OLD P/N	P/N
												STANDARD MOUNT	

SEE NOTES ON LAST SHEET

THIS DRAWING IS A CONTROLLED DOCUMENT.

DWN BUON B. 17NOV1998  
 CHK LOUDIEUX G. 17NOV1998  
 APVD FURIO M. 17NOV1998

**STE** TE Connectivity

NAME SEALED SUB D CONNECTOR  
 MDE - SERIES

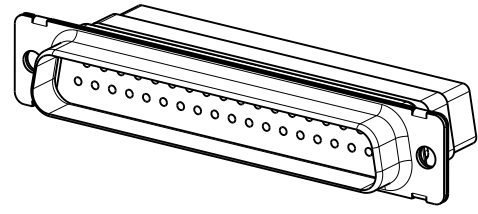
SIZE A2 CAGE CODE 00779 DRAWING NO C-135787 RESTRICTED TO -

NOTE 3 NOTE 4 CUSTOMER DRAWING SCALE 2:1 SHEET 3 OF 7 REV D

THIS DRAWING IS UNPUBLISHED. RELEASED FOR PUBLICATION 20  
 © COPYRIGHT 20 Tyco Electronics AMP GmbH ALL RIGHTS RESERVED.

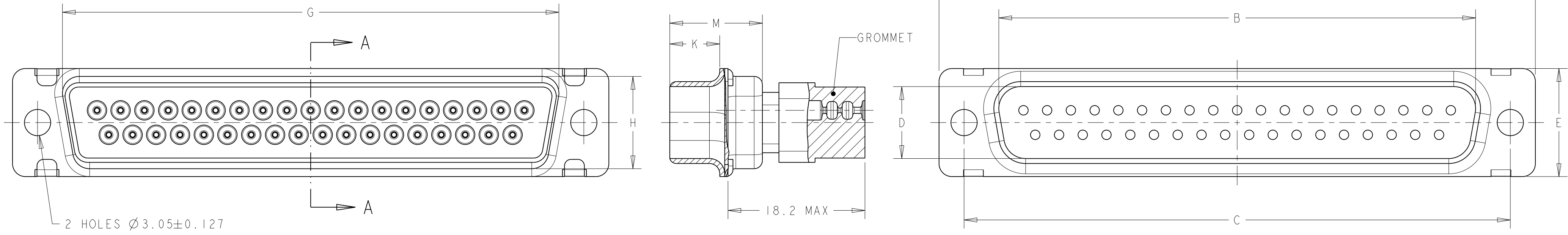
LOC	DIST	REVISIONS			
P	LTR	DESCRIPTION	DATE	DWN	APVD
F	00	-	SEE SHEET 1	-	-

# PLUG-MDG TYPE



SCALE 1:1

## SECTION A-A



10.82	5.84	55.32	13.56	15.37	11.20	61.11	52.81	66.93	PLUG	50	5	MDG308G-50P2-001	3-135787-9
10.82	5.84	57.71	10.72	12.55	8.36	63.50	55.42	69.32	PLUG	37	4	MDG308G-37P2-001	3-135787-7
10.82	5.84	41.30	10.72	12.55	8.36	47.04	38.96	53.04	PLUG	25	3	MDG308G-25P2-001	3-135787-5
10.72	5.97	27.51	10.72	12.55	8.36	33.32	25.25	39.14	PLUG	15	2	MDG308G-15P2-001	3-135787-3
10.72	5.97	19.28	10.72	12.55	8.36	24.99	16.92	30.81	PLUG	09	1	MDG308G-9P2-001	3-135787-1
10.82	5.84	55.32	13.56	15.37	11.20	61.11	52.81	66.93	PLUG WITH PIN CONTACTS	50	5	MDG308G-50P2	2-135787-9
10.82	5.84	57.71	10.72	12.55	8.36	63.50	55.42	69.32	PLUG WITH PIN CONTACTS	37	4	MDG308G-37P2	2-135787-7
10.82	5.84	41.30	10.72	12.55	8.36	47.04	38.96	53.04	PLUG WITH PIN CONTACTS	25	3	MDG308G-25P2	2-135787-5
10.72	5.97	27.51	10.72	12.55	8.36	33.32	25.25	39.14	PLUG WITH PIN CONTACTS	15	2	MDG308G-15P2	2-135787-3
10.72	5.97	19.28	10.72	12.55	8.36	24.99	16.92	30.81	PLUG WITH PIN CONTACTS	09	1	MDG308G-9P2	2-135787-1
M $\pm 0.25$	K $\pm 0.13$	G $\pm 0.25$	H $\pm 0.25$	E $\pm 0.38$	D $\pm 0.13$	C $\pm 0.13$	B $\pm 0.13$	A $\pm 0.38$	DESCRIPTION	Nb POS.	SIZE	OLD P/N	P/N 2
										STANDARD MOUNT			

SEE NOTES ON LAST SHEET

THIS DRAWING IS A CONTROLLED DOCUMENT.

DWN BUON B. 17NOV1998  
 CHK LOUDIEUX G. 17NOV1998  
 APVD FURIO M. 17NOV1998

**STE** TE Connectivity

NAME SEALED SUB D CONNECTOR  
 MDE - SERIES

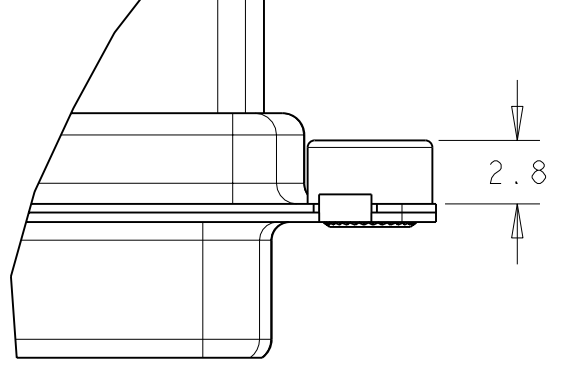
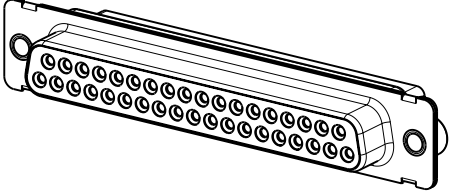
SIZE A2 CAGE CODE 00779 DRAWING NO C-135787 RESTRICTED TO -

NOTE 3 NOTE 4 CUSTOMER DRAWING SCALE 2:1 SHEET 4 OF 7 REV D

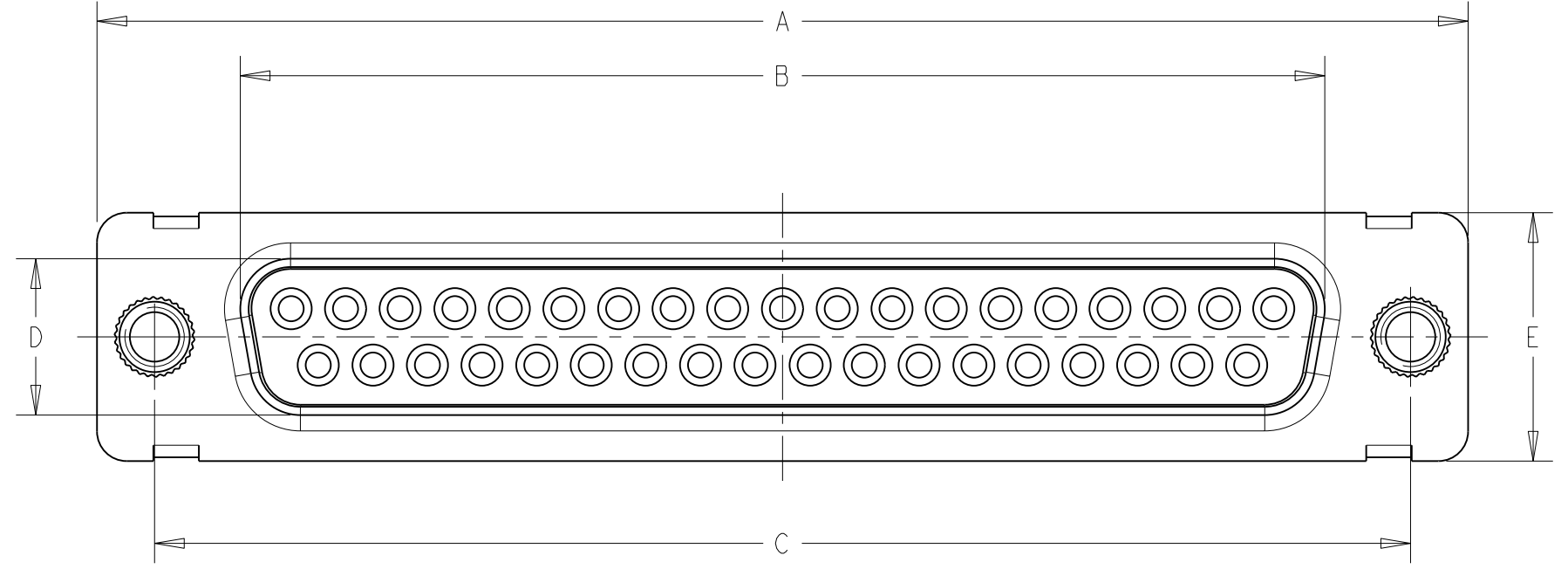
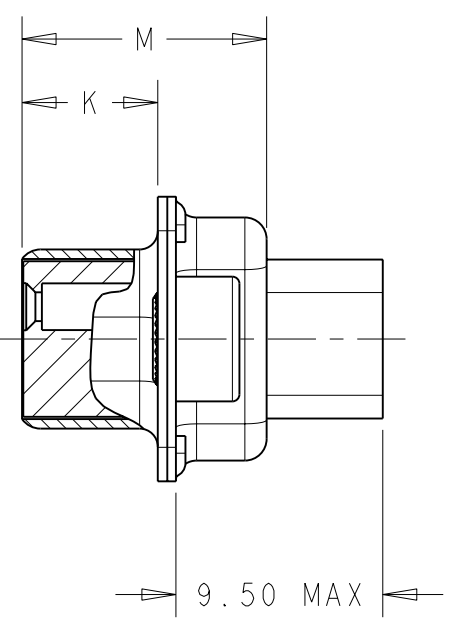
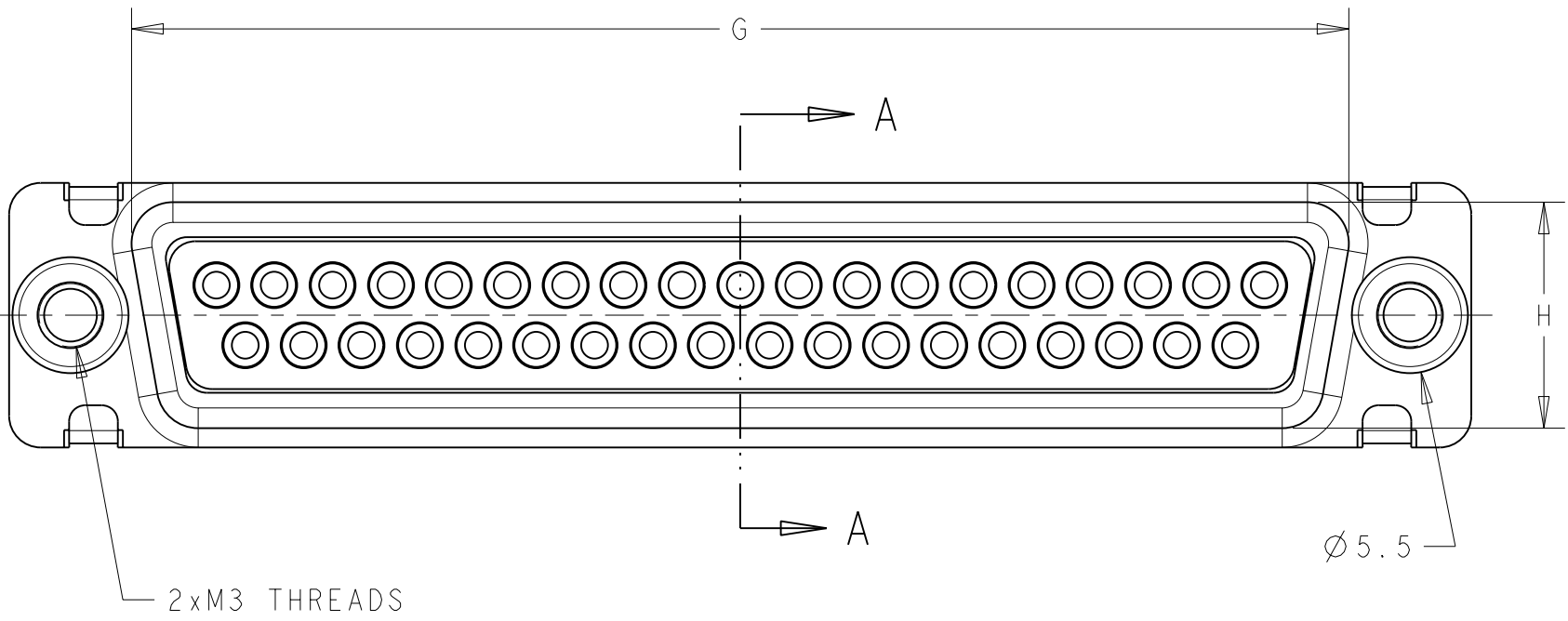
THIS DRAWING IS UNPUBLISHED. RELEASED FOR PUBLICATION 20  
 © COPYRIGHT 20 Tyco Electronics AMP GmbH ALL RIGHTS RESERVED.

LOC	DIST	REVISIONS			
P	LTR	DESCRIPTION	DATE	DWN	APVD
F	00	SEE SHEET 1	-	-	-

# RECEPTACLE - MD308GA TYPE



SECTION A - A



M±0.25	K±0.13	G±0.25	H±0.25	E±0.38	D±0.13	C±0.13	B±0.13	A±0.38	DESCRIPTION	Nb POS.	SIZE	OLD P/N	P/N
10.90	6.17	55.32	13.56	15.37	10.74	61.11	52.43	66.93	RECEPTACLE	50	5	MD308GA-50S2-001	5-135787-1
10.90	6.17	57.71	10.72	12.55	7.90	63.50	54.84	69.32	RECEPTACLE	37	4	MD308GA-37S2-001	5-135787-0
10.90	6.17	41.30	10.72	12.55	7.90	47.04	38.38	53.04	RECEPTACLE	25	3	MD308GA-25S2-001	4-135787-9
10.90	6.17	27.51	10.72	12.55	7.90	33.32	24.66	39.14	RECEPTACLE	15	2	MD308GA-15S2-001	4-135787-8
10.90	6.17	19.28	10.72	12.55	7.90	24.99	16.33	30.81	RECEPTACLE	09	1	MD308GA-9S2-001	4-135787-7
10.90	6.17	58.47	15.14	16.97	12.32	63.65	55.60	69.32	RECEPTACLE, HIGH DENSITY	104	6	MD308GA-66104S2-001	4-135787-6
10.90	6.17	55.32	13.56	15.37	10.74	61.11	52.43	66.93	RECEPTACLE, HIGH DENSITY	78	5	MD308GA-5078S2-001	4-135787-5
10.90	6.17	57.71	10.72	12.55	7.90	63.50	54.84	69.32	RECEPTACLE, HIGH DENSITY	62	4	MD308GA-3762S2-001	5-135787-4
10.90	6.17	41.30	10.72	12.55	7.90	47.04	38.38	53.04	RECEPTACLE, HIGH DENSITY	44	3	MD308GA-2544S2-001	4-135787-4
10.90	6.17	27.51	10.72	12.55	7.90	33.32	24.66	39.14	RECEPTACLE, HIGH DENSITY	26	2	MD308GA-1526S2-001	4-135787-3
10.90	6.17	19.28	10.72	12.55	7.90	24.99	16.33	30.81	RECEPTACLE, HIGH DENSITY	15	1	MD308GA-915S2-001	5-135787-5
													△
												THEADED INSERTS MOUNT	

SEE NOTES ON LAST SHEET

THIS DRAWING IS A CONTROLLED DOCUMENT.

DWN BUON B. 17NOV1998  
 CHK LOUDIEUX G. 17NOV1998  
 APVD FURIO M. 17NOV1998

TE Connectivity

NAME SEALED SUB D CONNECTOR MDE - SERIES

SIZE A2 CAGE CODE 00779 DRAWING NO C-135787

NOTE 3 NOTE 4

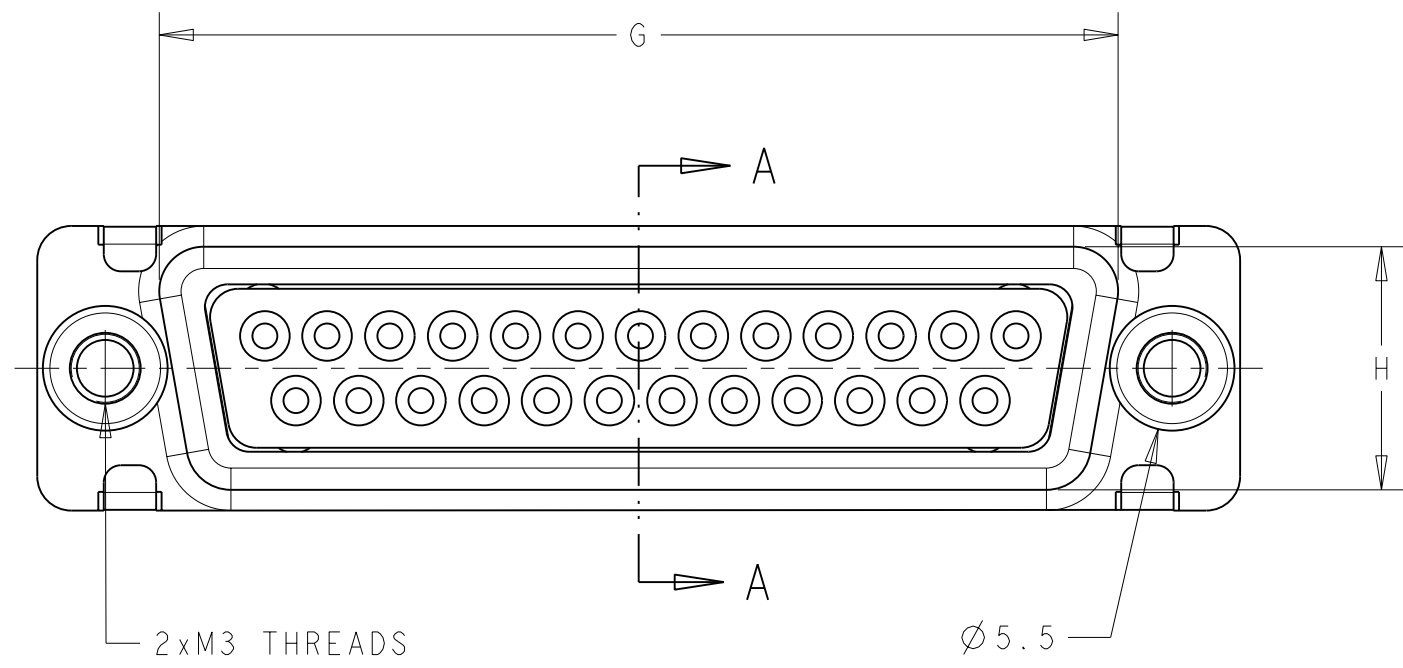
CUSTOMER DRAWING

SCALE 2:1 SHEET 5 OF 7 REV D

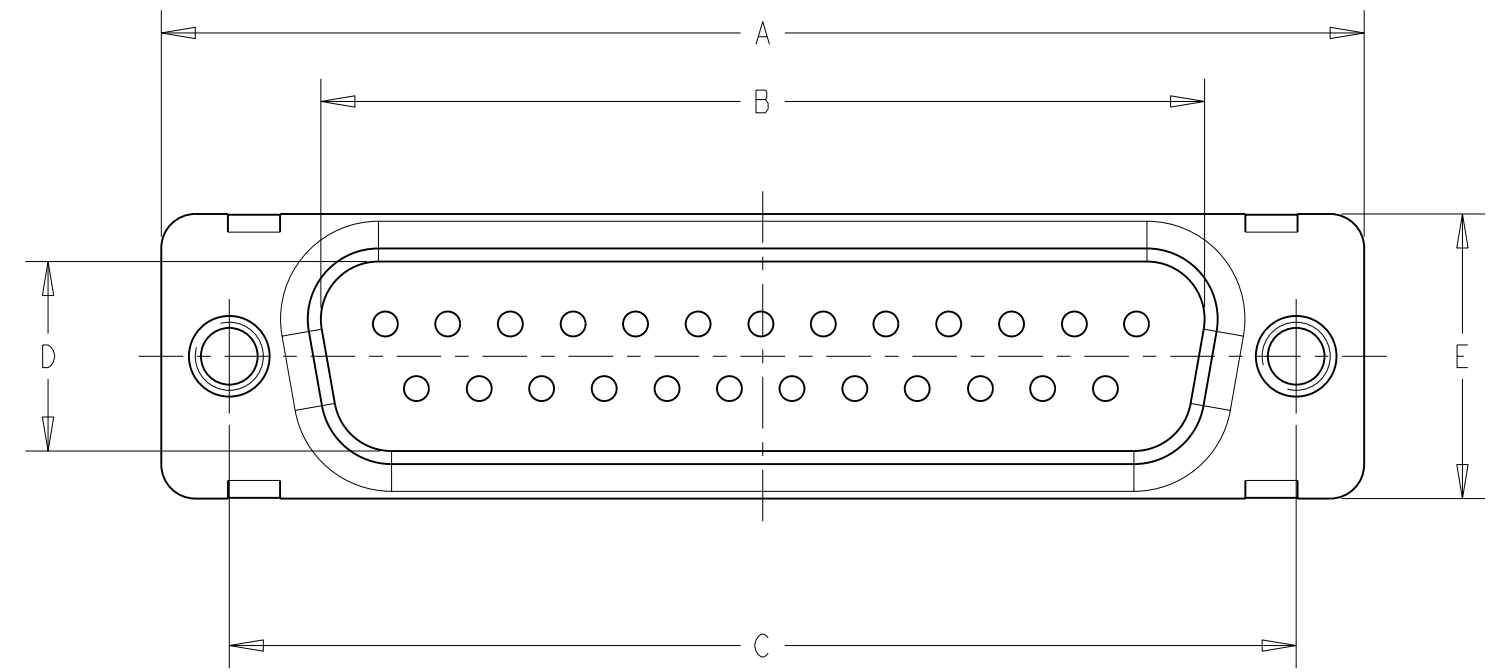
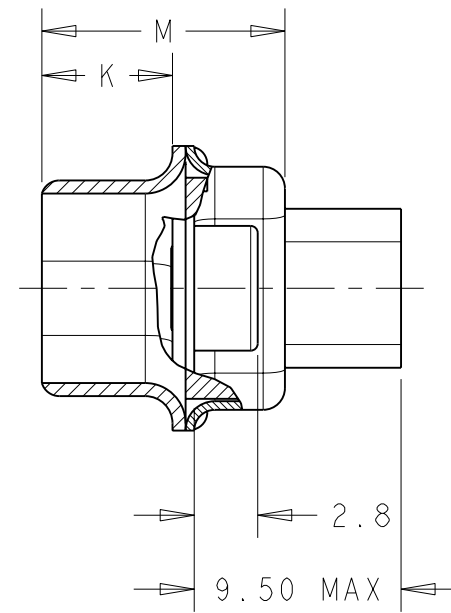
THIS DRAWING IS UNPUBLISHED. RELEASED FOR PUBLICATION 20  
 © COPYRIGHT 20 Tyco Electronics AMP GmbH ALL RIGHTS RESERVED.

# PLUG-MD308GA TYPE

LOC	DIST	REVISIONS					
F	00	P	LTR	DESCRIPTION	DATE	DWN	APVD
		-		SEE SHEET 1	-	-	-



## SECTION A - A



10.82	5.84	41.30	10.72	12.55	8.36	47.04	38.96	53.04	PLUG	25	3	MD308GA-25P2-001	5-135787-8
M±0.25	K±0.13	G±0.25	H±0.25	E±0.38	D±0.13	C±0.13	B±0.13	A±0.38	DESCRIPTION	Nb POS.	SIZE	OLD P/N	P/N 2
												THEADED INSERTS MOUNT	

SEE NOTES ON LAST SHEET

THIS DRAWING IS A CONTROLLED DOCUMENT.		DWN BUON B. 17NOV1998	<b>STE</b> TE Connectivity	
		CHK LOUDIEUX G. 17NOV1998		
DIMENSIONS: mm		APVD FURIO M. 17NOV1998	NAME SEALED SUB D CONNECTOR MDE - SERIES	
TOLERANCES UNLESS OTHERWISE SPECIFIED:		PRODUCT SPEC	SIZE CAGE CODE DRAWING NO RESTRICTED TO	
0 PLC ±0.13		APPLICATION SPEC	A200779C-135787	
1 PLC ±0.13		NOTE 7	SCALE 3:1 SHEET 6 OF 7 REV D	
2 PLC ±0.13		WEIGHT		
3 PLC ±		CUSTOMER DRAWING		
4 PLC ±				
ANGLES ±1				
FINISH				
MATERIAL NOTE 3				
		NOTE 4		

4

3

2

1

THIS DRAWING IS UNPUBLISHED. RELEASED FOR PUBLICATION 20  
 © COPYRIGHT 20 Tyco Electronics AMP GmbH ALL RIGHTS RESERVED.

LOC	DIST	REVISIONS					
F	00	P	LTR	DESCRIPTION	DATE	DWN	APVD
		-		SEE SHEET 1	-	-	-

MATING FACE OF PLUG SHOWN

CONFIGURATIONS FOR #20 CONTACTS

9 POSITION MS18273-1  
SHELL SIZE 1

15 POSITION MS18274-1  
SHELL SIZE 2

25 POSITION MS18275-1  
SHELL SIZE 3

37 POSITION MS18276-1  
SHELL SIZE 4

50 POSITION MS18277-1  
SHELL SIZE 5

CONFIGURATIONS FOR #22 CONTACTS

15 POSITION MS18273-2  
SHELL SIZE 1

26 POSITION MS18274-2  
SHELL SIZE 2

44 POSITION MS18275-2  
SHELL SIZE 3

62 POSITION MS18276-2  
SHELL SIZE 4

78 POSITION MS18277-2  
SHELL SIZE 5

104 POSITION MS14004-1  
SHELL SIZE 6

1 THIS CONNECTOR MEETS THE REQUIREMENTS OF MIL-DTL-24308

2 PART NUMBER FOR ORDERING

3- MATERIALS :  
 SHELL : STEEL,CD PLATED  
 HOUSING : PBT,GLASS FILLED,UL94VO  
 RETAINING CLIP : STAINLESS STEEL  
 GROMMET AND INTERFACIAL SEAL : FLUROSILICONE ELASTOMER  
 SEALING COMPOUND : RTV  
 CONTACT:COPPER ALLOY,GOLD PLATED OVER NICKEL

4- CABLES EXTERNAL DIAMETER FOR CONTACTS #20 :  $\varnothing 0.85$  to  $\varnothing 1.83$   
 CABLES EXTERNAL DIAMETER FOR CONTACTS #22 :  $\varnothing 1.37$  MAX

5- CONNECTOR MARKING:  
 . MANUFACTURER IDENTIFICATION  
 . PART NUMBER  
 . DATE-CODE

6- INSERT ARRANGEMENT PER MIL-DTL-24308

7- FOR CONTACT CRIMPING INSTRUCTION SHEET REFER TO SPEC IS 7516  
 FOR CONTACT INSTALATION/ REMOVAL INSTRUCTION SHEET REFER TO SPEC IS 7508

8- #20 SOCKET CRIMP CONTACT P/N: 205090-1  
 #20 PIN CRIMP CONTACT P/N: 205089-1

#22D SOCKET CRIMP CONTACT P/N: 204351-1  
 #22D PIN CRIMP CONTACT P/N: 204370-2

9- INSERTION/EXTRACTION TOOL P/N: 91067-2  
 INSERTION/EXTRACTION TOOL P/N: 91067-1

10- CRIMP WITH HAND TOOL: 601966-1 + DIE INSERT: 601966-4  
 CRIMP WITH HAND TOOL: M22520/02-01 + POSITIONNER : M22520/02-06

THIS DRAWING IS A CONTROLLED DOCUMENT.		DWN BUON B. 17NOV1998	TE Connectivity	
DIMENSIONS: mm		CHK LOUDIEUX G. 17NOV1998		
TOLERANCES UNLESS OTHERWISE SPECIFIED:		APVD FURIO M. 17NOV1998	NAME SEALED SUB D CONNECTOR MDE - SERIES	
0 PLC ±0.13		PRODUCT SPEC	SIZE A200779	
1 PLC ±0.13		APPLICATION SPEC	CAGE CODE C-135787	
2 PLC ±0.13		NOTE 7	DRAWING NO	
3 PLC ±		WEIGHT	RESTRICTED TO	
4 PLC ±		CUSTOMER DRAWING	SCALE 2:1 SHEET 7 OF 7 REV D	
ANGLES ±1				
FINISH				

1471-9 (3/11)