



Chipsmall Limited consists of a professional team with an average of over 10 year of expertise in the distribution of electronic components. Based in Hongkong, we have already established firm and mutual-benefit business relationships with customers from,Europe,America and south Asia,supplying obsolete and hard-to-find components to meet their specific needs.

With the principle of “Quality Parts,Customers Priority,Honest Operation,and Considerate Service”,our business mainly focus on the distribution of electronic components. Line cards we deal with include Microchip,ALPS,ROHM,Xilinx,Pulse,ON,Everlight and Freescale. Main products comprise IC,Modules,Potentiometer,IC Socket,Relay,Connector.Our parts cover such applications as commercial,industrial, and automotives areas.

We are looking forward to setting up business relationship with you and hope to provide you with the best service and solution. Let us make a better world for our industry!



Contact us

Tel: +86-755-8981 8866 Fax: +86-755-8427 6832

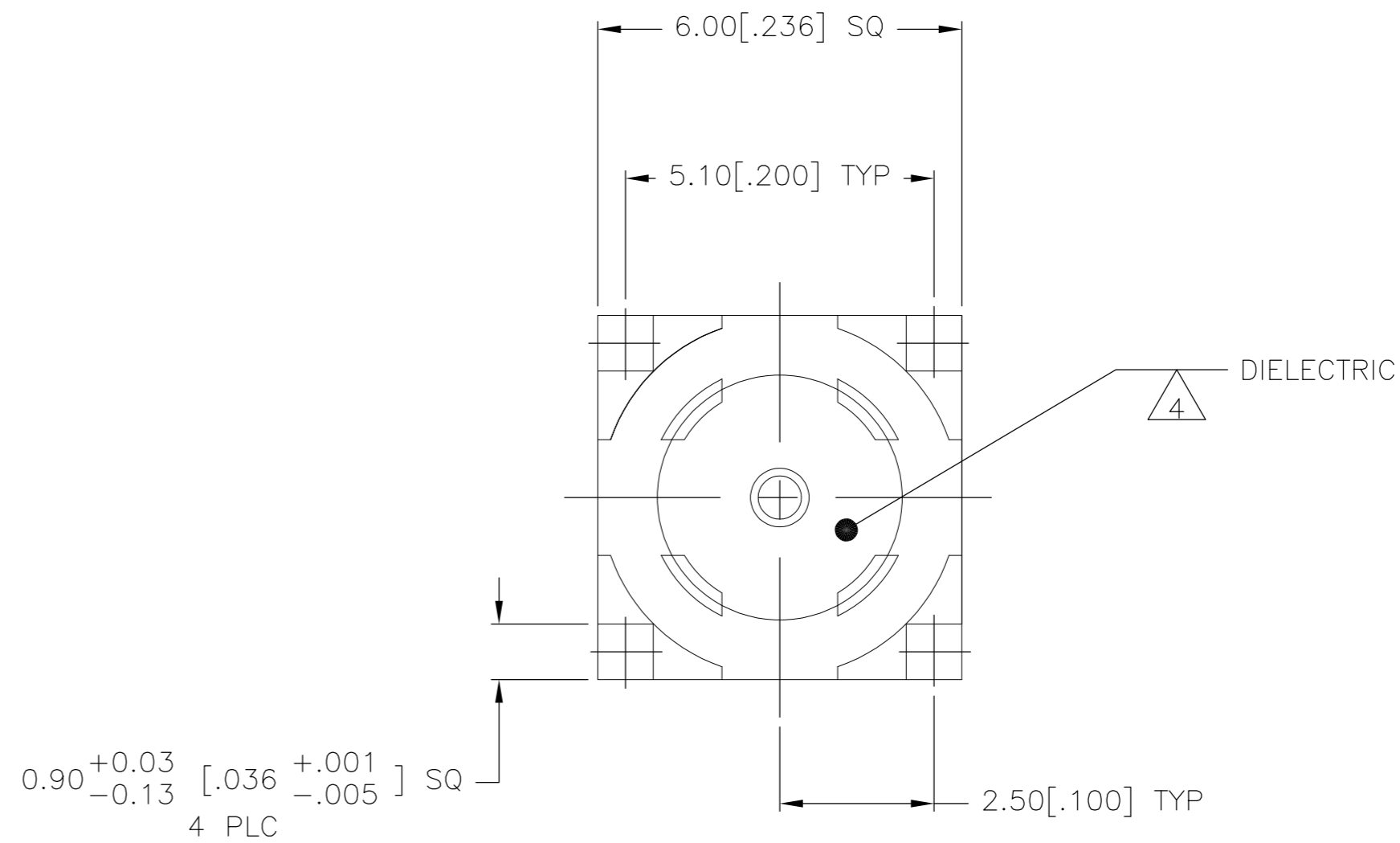
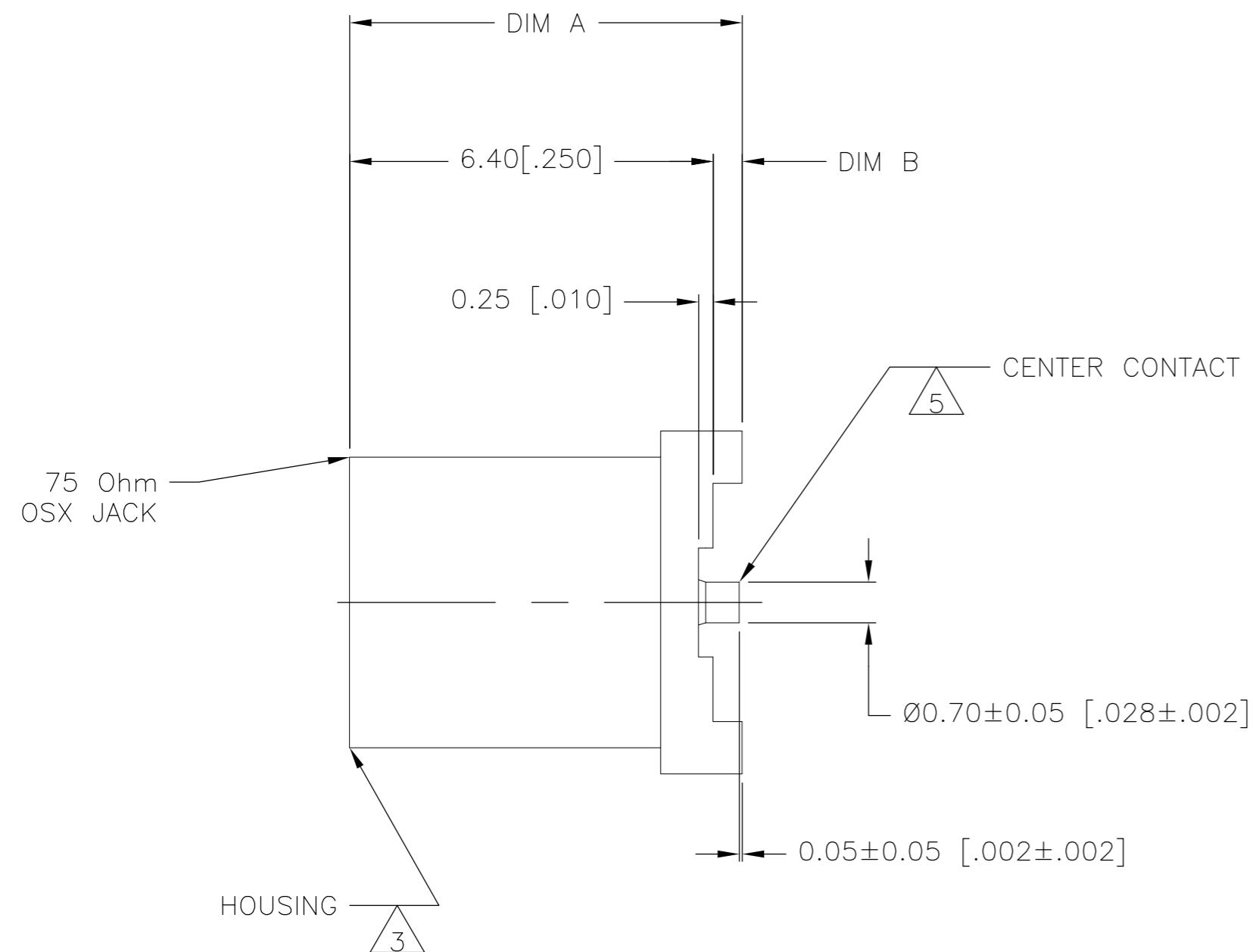
Email & Skype: info@chipsmall.com Web: www.chipsmall.com

Address: A1208, Overseas Decoration Building, #122 Zhenhua RD., Futian, Shenzhen, China



THIS DRAWING IS UNPUBLISHED. RELEASED FOR PUBLICATION
 © COPYRIGHT - By - ALL RIGHTS RESERVED.

LOC		DIST		REVISIONS			
P	LTR	DESCRIPTION		DATE	DWN	APVD	
		C1	ECR-12-005726	27MAR12	RK	MY	



- 1 GOLD PLATE PER ASTM B 488
- 2 BRIGHT NICKEL PLATE PER QQ-N-290
- 3 BRASS PER ASTM B 16
- 4 PTFE PER ASTM D 1710
- 5 BERYLLIUM COPPER PER ASTM B 197

OBSOLETE	3.80 [.155]	10.2 [.405]	1	2	1361169-2
	0.50 [.020]	6.90 [.270]	1	2	1361169-1
	DIM B	DIM A	CONTACT	HOUSING	PART NUMBER
			FINISH		

THIS DRAWING IS A CONTROLLED DOCUMENT.		DWN RMF 10-11-00																		
DIMENSIONS: mm [INCHES]		CHK RMF 10-11-00																		
TOLERANCES UNLESS OTHERWISE SPECIFIED:		APVD RMF 10-11-00																		
<table border="1"> <tr><td>0 PLC</td><td>±</td><td>-</td></tr> <tr><td>1 PLC</td><td>±</td><td>-</td></tr> <tr><td>2 PLC</td><td>±</td><td>0.20 [.008]</td></tr> <tr><td>3 PLC</td><td>±</td><td>-</td></tr> <tr><td>4 PLC</td><td>±</td><td>-</td></tr> <tr><td>ANGLES</td><td>±</td><td>-</td></tr> </table>		0 PLC				±	-	1 PLC	±	-	2 PLC	±	0.20 [.008]	3 PLC	±	-	4 PLC	±	-	ANGLES
0 PLC	±	-																		
1 PLC	±	-																		
2 PLC	±	0.20 [.008]																		
3 PLC	±	-																		
4 PLC	±	-																		
ANGLES	±	-																		
MATERIAL -	FINISH -	APPLICATION SPEC -	NAME	MCX 75 Ohm PRINTED CIRCUIT BOARD RECEPTACLE	RESTRICTED TO -															
		WEIGHT -	SIZE A2	CAGE CODE 00779	DRAWING NO. C=1361169															
		CUSTOMER DRAWING	SCALE 10:1	SHEET 1 of 1	REV C1															