



Chipsmall Limited consists of a professional team with an average of over 10 year of expertise in the distribution of electronic components. Based in Hongkong, we have already established firm and mutual-benefit business relationships with customers from,Europe,America and south Asia,supplying obsolete and hard-to-find components to meet their specific needs.

With the principle of "Quality Parts,Customers Priority,Honest Operation,and Considerate Service",our business mainly focus on the distribution of electronic components. Line cards we deal with include Microchip,ALPS,ROHM,Xilinx,Pulse,ON,Everlight and Freescale. Main products comprise IC,Modules,Potentiometer,IC Socket,Relay,Connector.Our parts cover such applications as commercial,industrial, and automotives areas.

We are looking forward to setting up business relationship with you and hope to provide you with the best service and solution. Let us make a better world for our industry!



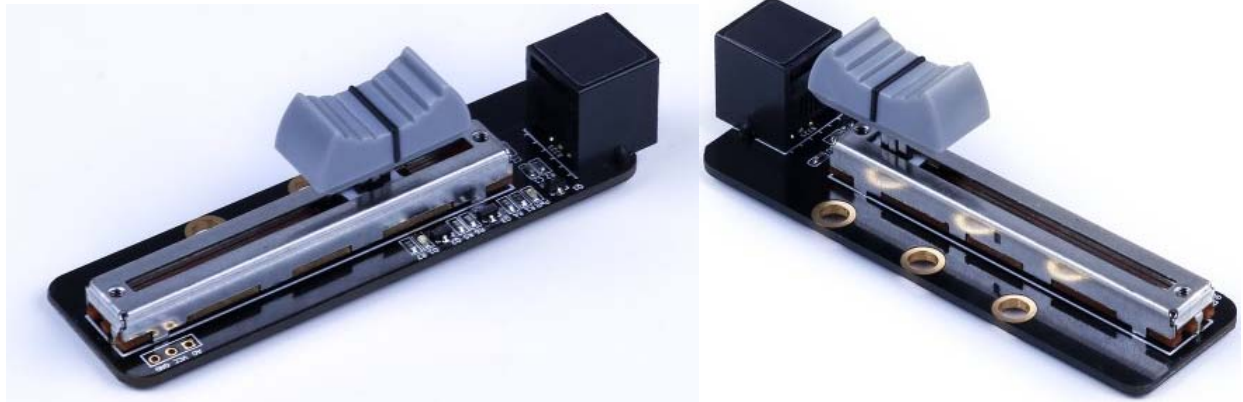
## Contact us

Tel: +86-755-8981 8866 Fax: +86-755-8427 6832

Email & Skype: info@chipsmall.com Web: www.chipsmall.com

Address: A1208, Overseas Decoration Building, #122 Zhenhua RD., Futian, Shenzhen, China





## Me Slide Potentiometer

SKU: 13614 Weight: 17.00 Gram

### What Is Me Slide Potentiometer?

Me Slide Potentiometer is one type of potentiometer that can be used to control volume, light intensity, motor speed, movement control, etc. in interactive projects.

### Features

- Compatible with the Arduino sensor expansion board;
- Three 4mm mounting holes and one RJ25 port for easy assembling;
- With one red power indicator and one blue potentiometer indicator;
- Anti-reverse connection protection feature.

# How Does It Work?

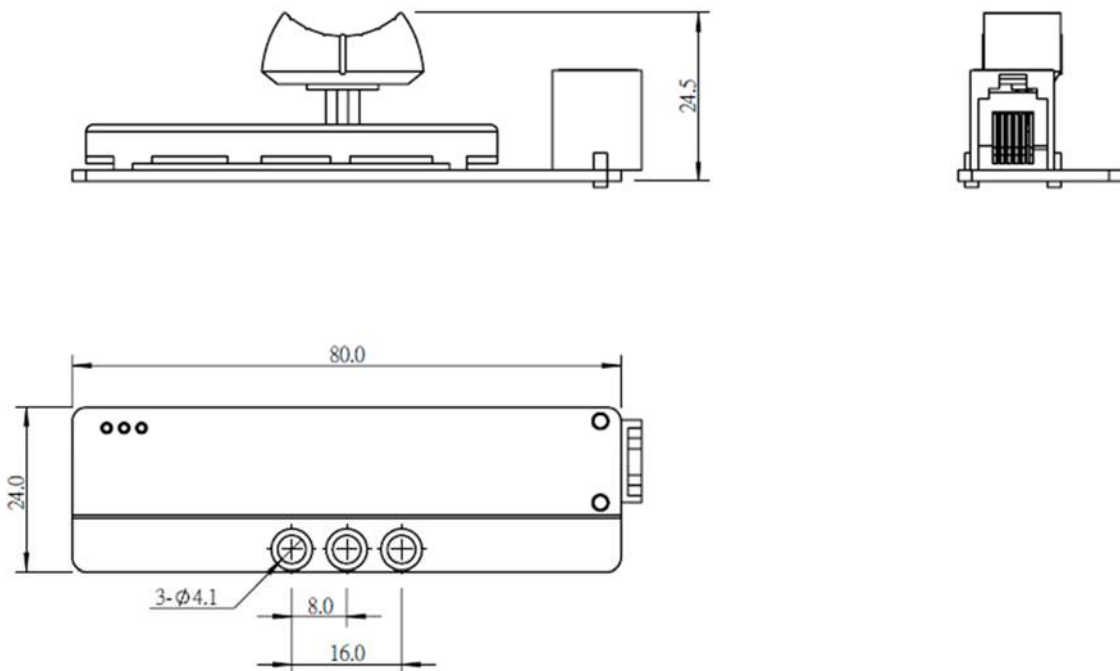
This Me Slide Potentiometer can be combined with Me Orion (or other Arduino IO/sensor expansion board) in interactive projects. Move the lever from one side to the other, its output voltage will range between 0 V to the VCC you apply. The VCC Me Slide Potentiometer supports vary from 3.3V to 5V.



## Note

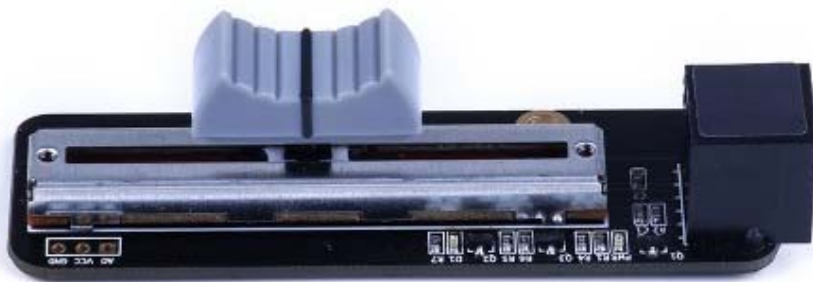
If you connect this module to Me Orion, please make sure you connect it to port 6, port 7 or port 8.

## Size Chart (mm):



# Specifications

Power Voltage	3.3-5V
Output Type	Analog Signal
Interface Type	RJ25 port
DIY Port	AO、GND、VCC
Potentiometer Rotational Life	10000 times
Product Dimension (L*W*H)	85 x 25 x 30mm (3.34 x 0.98 x 1.18inch)
Net Weight	15g (0.53oz)
Gross Weight	17g (0.6oz)
Part List	1 × Me Slide Potentiometer



<https://store.makeblock.com/me-slide-potentiometer> 8-7-18