



Chipsmall Limited consists of a professional team with an average of over 10 year of expertise in the distribution of electronic components. Based in Hongkong, we have already established firm and mutual-benefit business relationships with customers from,Europe,America and south Asia,supplying obsolete and hard-to-find components to meet their specific needs.

With the principle of “Quality Parts,Customers Priority,Honest Operation,and Considerate Service”,our business mainly focus on the distribution of electronic components. Line cards we deal with include Microchip,ALPS,ROHM,Xilinx,Pulse,ON,Everlight and Freescale. Main products comprise IC,Modules,Potentiometer,IC Socket,Relay,Connector.Our parts cover such applications as commercial,industrial, and automotives areas.

We are looking forward to setting up business relationship with you and hope to provide you with the best service and solution. Let us make a better world for our industry!



Contact us

Tel: +86-755-8981 8866 Fax: +86-755-8427 6832

Email & Skype: info@chipsmall.com Web: www.chipsmall.com

Address: A1208, Overseas Decoration Building, #122 Zhenhua RD., Futian, Shenzhen, China





EVERLIGHT ELECTRONICS CO.,LTD.

Device Number : DLE-136-058 REV: 1.0

10 mm Round High Intensity LEDs

MODEL NO : 1363-2SURC/S530-A3 ECN : _____ Page: 1/4

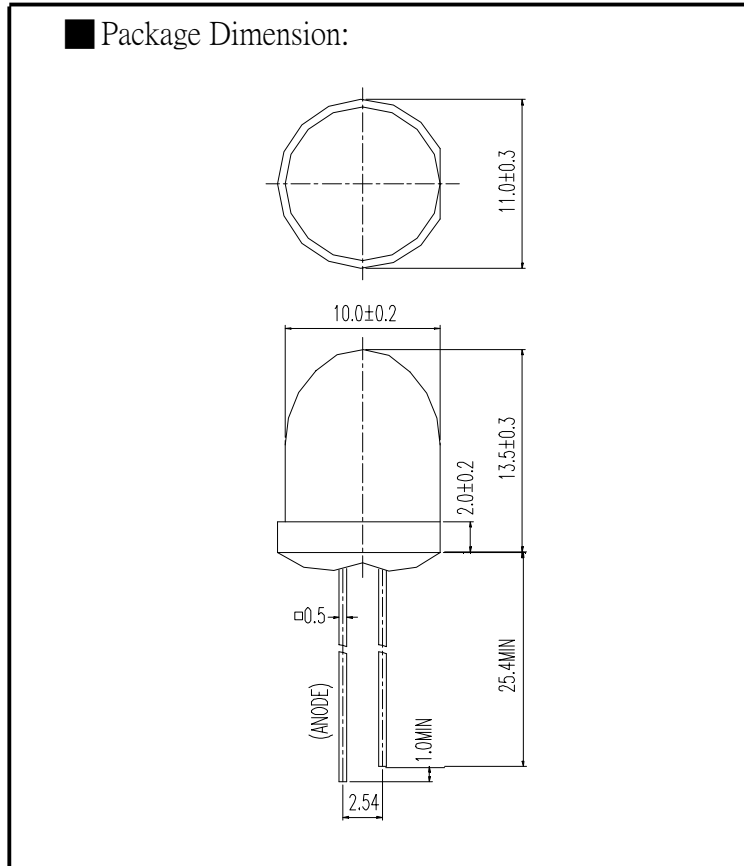
Features :

- High luminous power.
- Can be driven at low current.
- 2.54mm lead spacing.

Description :

- The series is specially designed for applications require higher brightness than is achievable with standard lamp.
- The LED lamps are available with different colors,intensities, epoxy colors, etc.

Package Dimension:



Applications :

- TV Set
- Monitor
- Telephone
- Computer

NOTES :

- 1.All dimensions are in millimeters.
- 2.An epoxy meniscus may extend about 1.5mm(0.059") down to the lead.

PART NO	CHIP		Lens Color
	Material	Emitted Color	
1363-2SURC/S530-A3	AlGaInP	Hyper Red	Water Clear

OFFICE : NO. 25,Lane 76,Sec.3, Chung Yang Rd., Tucheng 236, Taipei, Taiwan, R.O.C.

TEL : 886-2-2267-2000,2267-9936

FAX : 886-2-2267-6244,22676189,22676306

<http://www.everlight.com>



EVERLIGHT ELECTRONICS CO.,LTD.

Device Number : DLE-136-058 REV: 1.0

10 mm Round High Intensity LEDs

MODEL NO : 1363-2SURC/S530-A3 ECN : _____ Page: 2/4

■ Absolute Maximum Ratings at Ta = 25°C

Parameter	Symbol	Rating	Unit
Forward Current	If	25	mA
Operating Temperature	Topr	-40 to +85	°C
Storage Temperature	Tstg	-40 to +100	°C
Soldering Temperature	Tsol	260 ± 5	°C
Electrostatic Discharge :	ESD	2000	V
Power Dissipation	Pd	60	mW
Peak Forward Current(Duty 1/10 @ 1KHZ)	If(Peak)	160	mA
Reverse voltage	Vr	5	V

■ Electronic Optical Characteristics :

Parameter	Symbol	MIN.	TYP.	MAX.	Unit	Condition
Luminous intensity	Iv	---- 1080	109 1820	----	mcd	If=2mA If=20mA
Viewing Angle	2θ 1/2	-----	6	----	deg	If=20mA
Peak Wavelength	λ p	----	632	----	nm	If=20mA
Dominant Wavelength	λ d	----	624	----	nm	If=20mA
Spectrum Radiation Bandwidth	△ λ	----	20	----	nm	If=20mA
Forward Voltage	Vf	----	2.0	2.4	V	If=20mA
Reverse Current	Ir	----	----	10	μ A	Vr=5V



10 mm Round High Intensity LEDs

■ Typical Electro-Optical Characteristic Curves

