



Chipsmall Limited consists of a professional team with an average of over 10 year of expertise in the distribution of electronic components. Based in Hongkong, we have already established firm and mutual-benefit business relationships with customers from,Europe,America and south Asia,supplying obsolete and hard-to-find components to meet their specific needs.

With the principle of "Quality Parts,Customers Priority,Honest Operation,and Considerate Service",our business mainly focus on the distribution of electronic components. Line cards we deal with include Microchip,ALPS,ROHM,Xilinx,Pulse,ON,Everlight and Freescale. Main products comprise IC,Modules,Potentiometer,IC Socket,Relay,Connector.Our parts cover such applications as commercial,industrial, and automotives areas.

We are looking forward to setting up business relationship with you and hope to provide you with the best service and solution. Let us make a better world for our industry!



Contact us

Tel: +86-755-8981 8866 Fax: +86-755-8427 6832

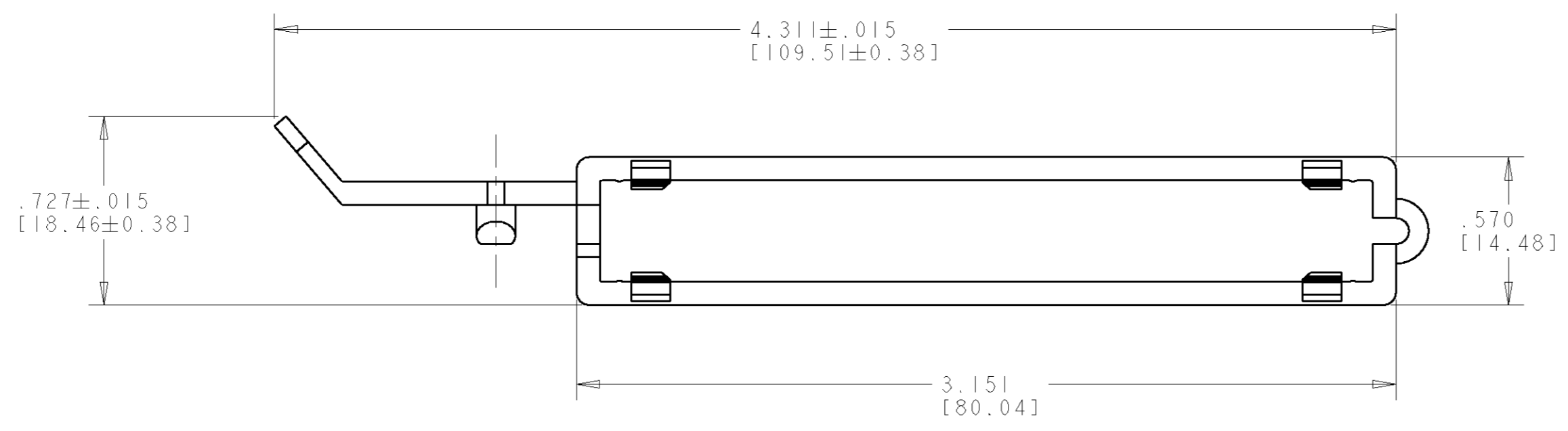
Email & Skype: info@chipsmall.com Web: www.chipsmall.com

Address: A1208, Overseas Decoration Building, #122 Zhenhua RD., Futian, Shenzhen, China



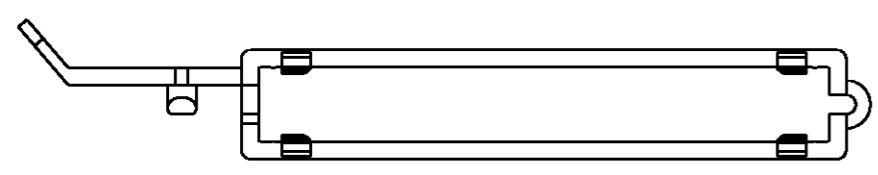
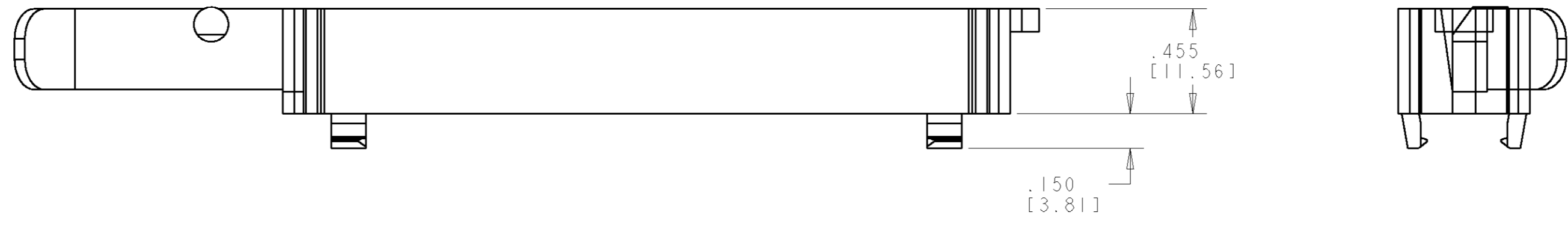
THIS DRAWING IS UNPUBLISHED. RELEASED FOR PUBLICATION 20
 © COPYRIGHT 20 BY TYCO ELECTRONICS CORPORATION. ALL RIGHTS RESERVED.

LOC	DIST	REVISIONS			
P	LTR	DESCRIPTION	DATE	DWN	APVD
	B	REVISE ECR-06-000592	11JAN06	LZ	SY
	B1	REVISED PER ECO-10-000445	11JAN10	KK	AEG

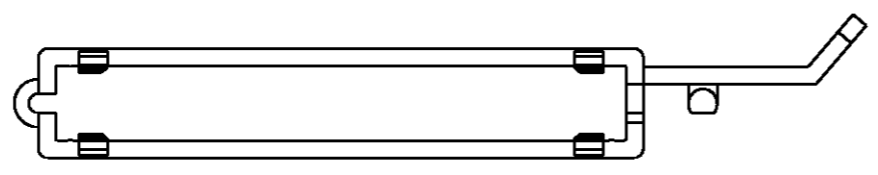


NOTE:

1 OBSOLETE PARTS: OBSOLETE CIS STREAMLINING PER D.RENAUD/D.SINISI



LEFT RETAINER
1364327-1 & -3
DETAIL A



RIGHT RETAINER
1364327-2
DETAIL B

1 OBSOLETE

REACTIVE	SEE DETAIL A	GREEN ABS	1364327-3
REACTIVE	SEE DETAIL B	BLACK ABS	1364327-2
REACTIVE	SEE DETAIL A	BLACK ABS	1364327-1
	TYPE	MATERIAL	PART NUMBER

DIMENSIONS:		TOLERANCES UNLESS OTHERWISE SPECIFIED:		DWN	Tyco Electronics	
INCHES [mm]		0 PLC	±	J. GERACE	06NOV00	SH/CN GuiPingRD 668#
		1 PLC	±0.1	CHK	M. BOWERS	
		2 PLC	±0.01	APVD	D. SUMMERS	
		3 PLC	±0.005	PRODUCT SPEC		
		4 PLC	±0.0001	APPLICATION SPEC		
		ANGLES	±	WEIGHT		
		FINISH				
SEE TABLE				CUSTOMER DRAWING		