



Chipsmall Limited consists of a professional team with an average of over 10 year of expertise in the distribution of electronic components. Based in Hongkong, we have already established firm and mutual-benefit business relationships with customers from,Europe,America and south Asia,supplying obsolete and hard-to-find components to meet their specific needs.

With the principle of "Quality Parts,Customers Priority,Honest Operation,and Considerate Service",our business mainly focus on the distribution of electronic components. Line cards we deal with include Microchip,ALPS,ROHM,Xilinx,Pulse,ON,Everlight and Freescale. Main products comprise IC,Modules,Potentiometer,IC Socket,Relay,Connector.Our parts cover such applications as commercial,industrial, and automotives areas.

We are looking forward to setting up business relationship with you and hope to provide you with the best service and solution. Let us make a better world for our industry!



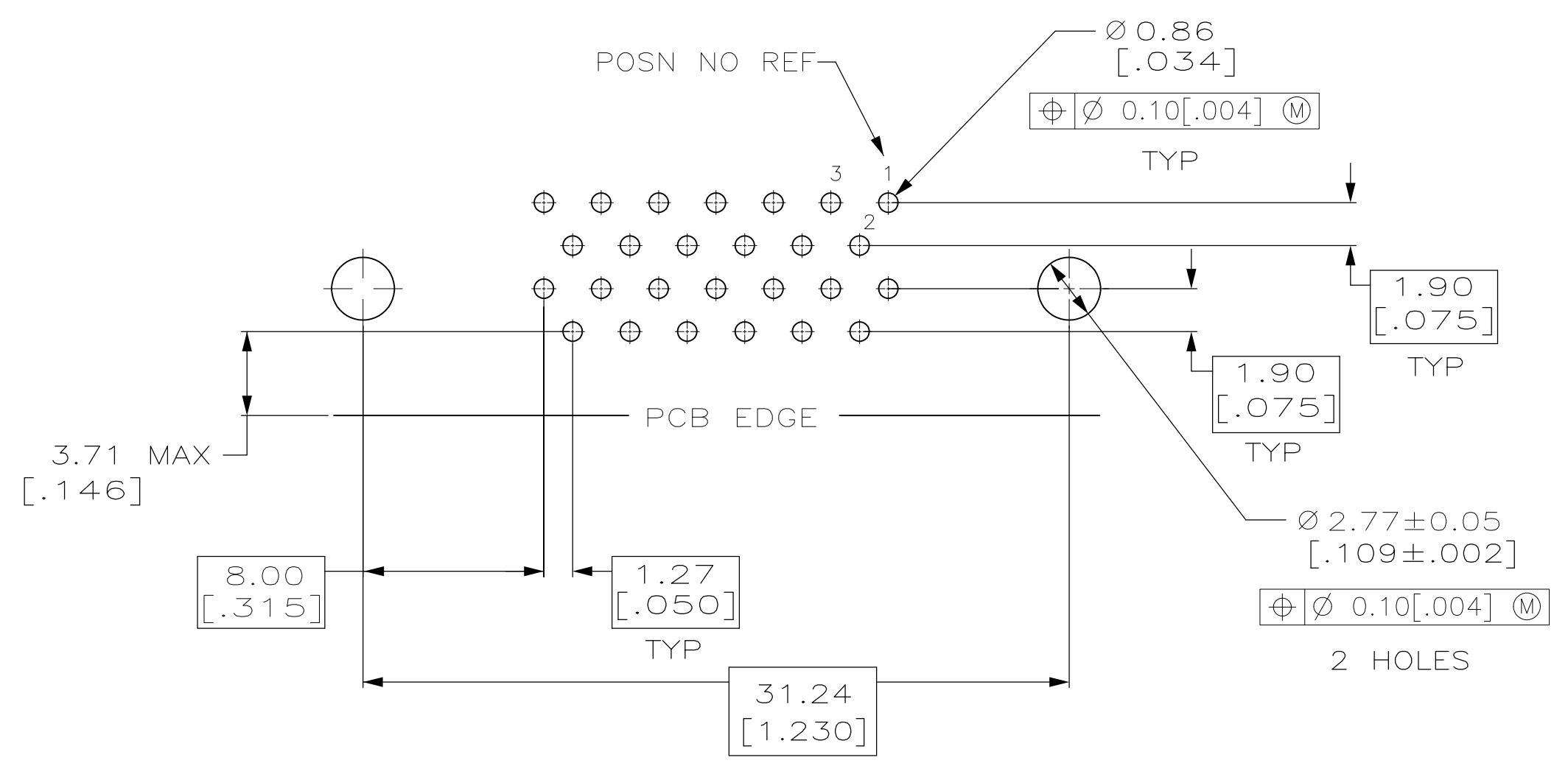
Contact us

Tel: +86-755-8981 8866 Fax: +86-755-8427 6832

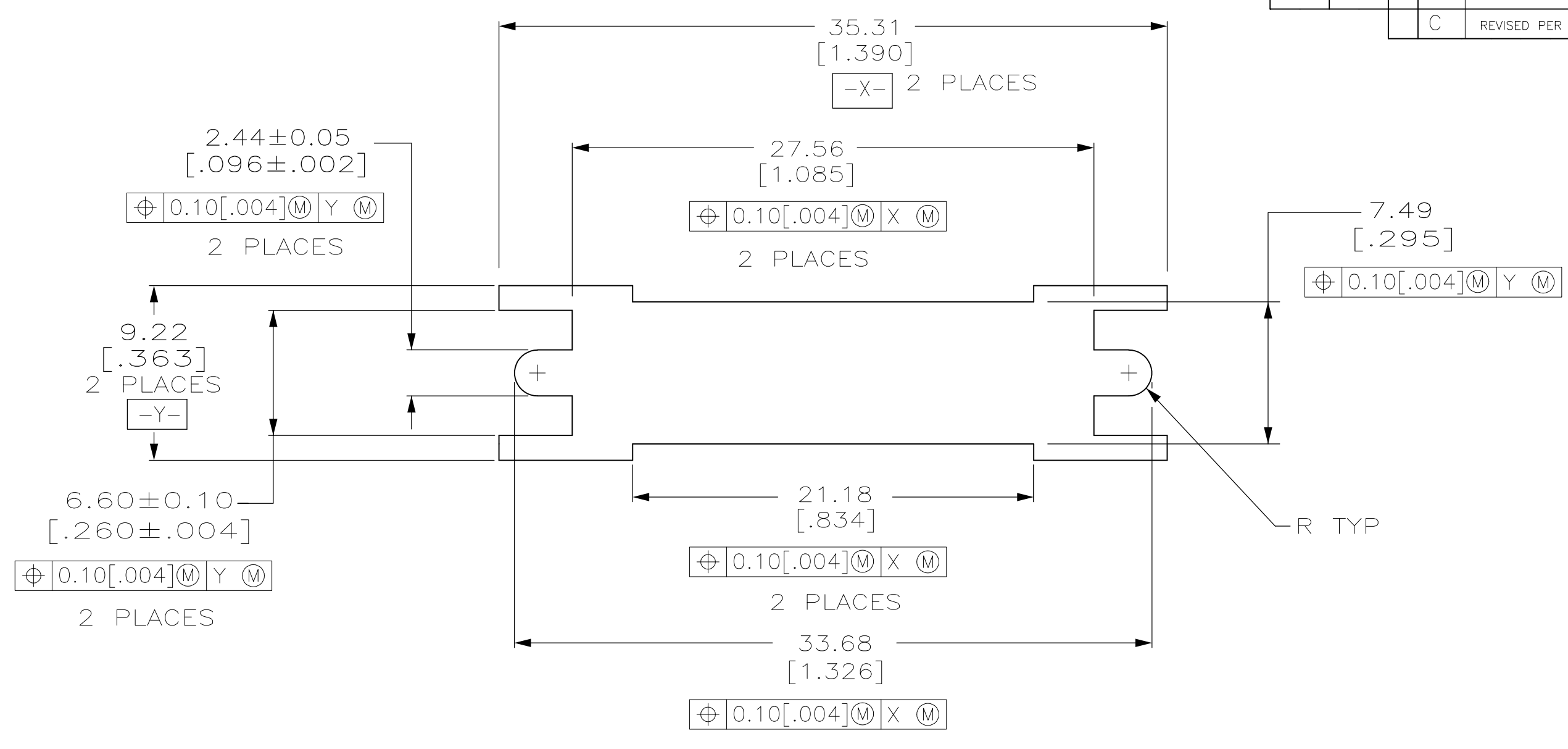
Email & Skype: info@chipsmall.com Web: www.chipsmall.com

Address: A1208, Overseas Decoration Building, #122 Zhenhua RD., Futian, Shenzhen, China

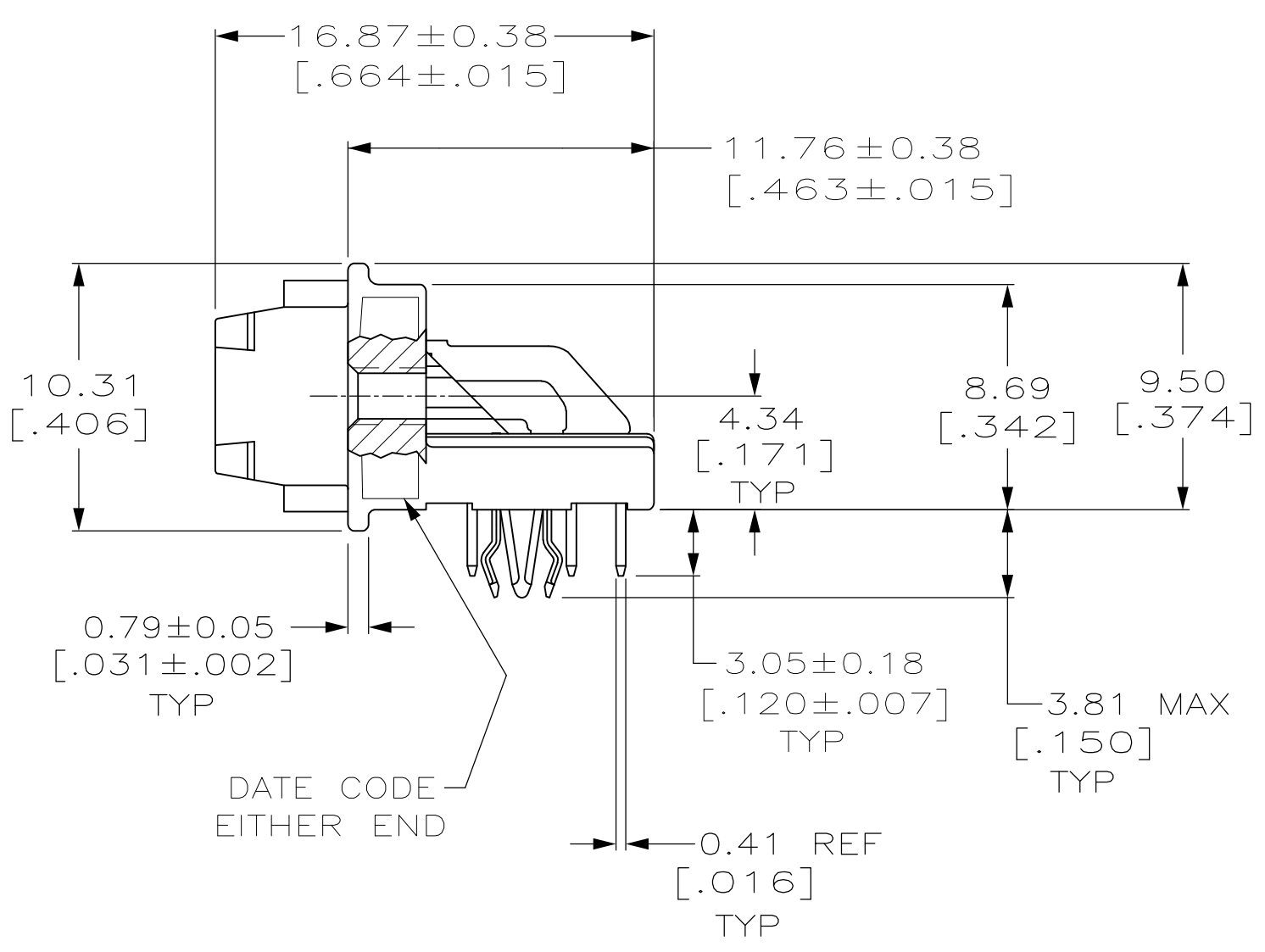
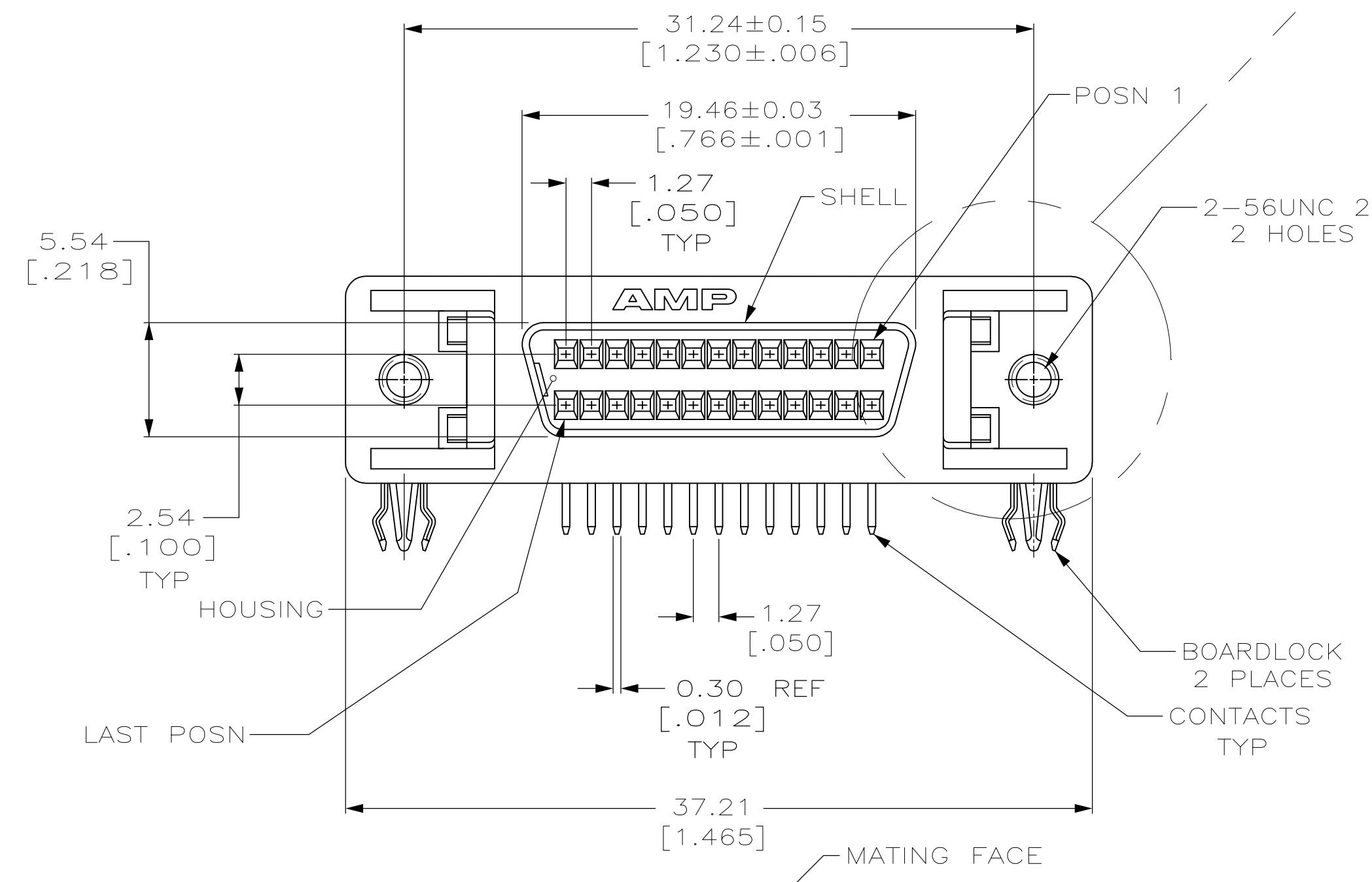
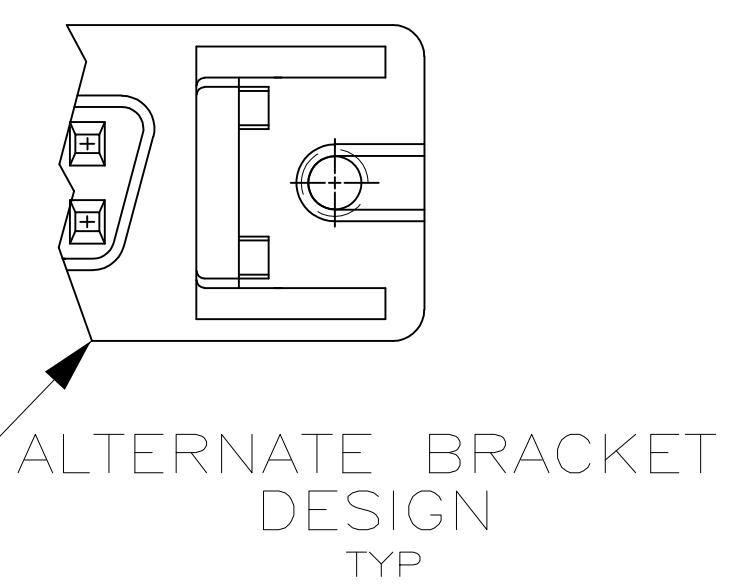
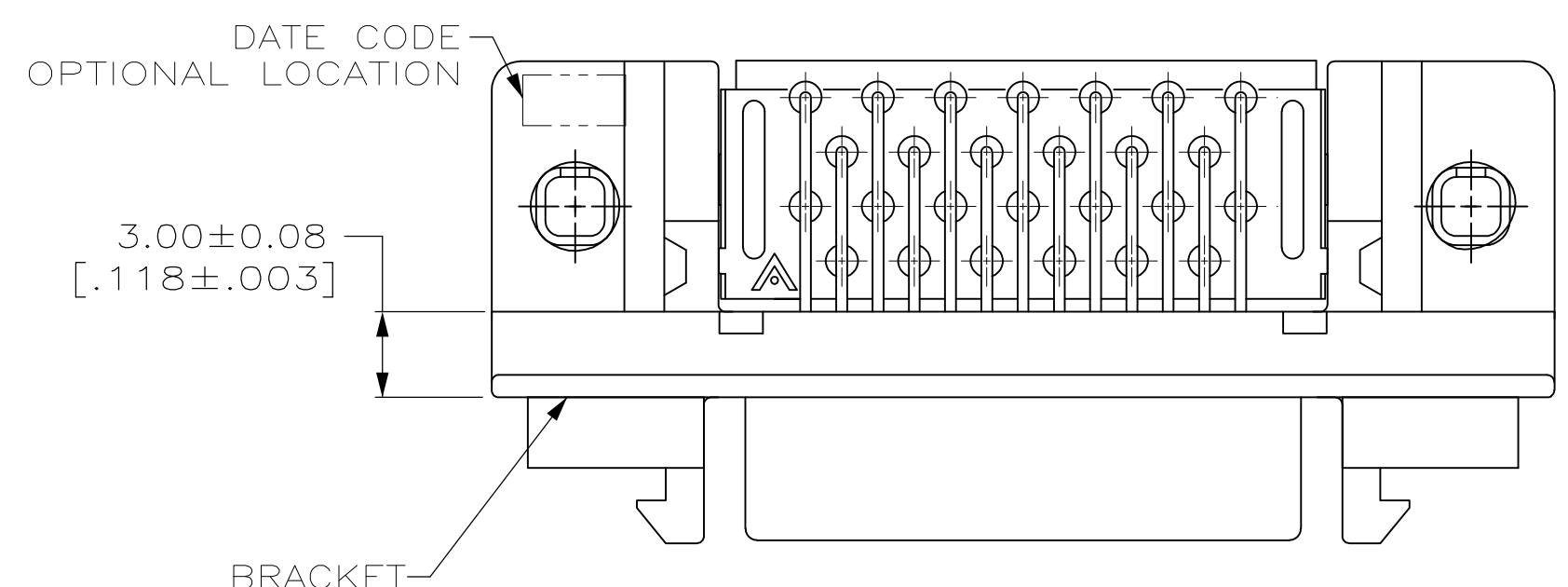




P.C. BOARD MOUNTING DIMENSIONS
 CONNECTOR SIDE
 P. C. BOARD THICKNESS 1.57 \pm 0.20 [.062 \pm .008]



RECOMMENDED PANEL CUTOUT



- MATERIAL**
 CONTACTS: PHOSPHOR BRONZE
 HOUSING & PIN SPACER: UL 94V-0 THERMOPLASTIC, BLACK
 BRACKET: ZINC
 SHELL: CARBON STEEL
 BOARDLOCKS: COPPER ALLOY
- FINISH**
 CONTACTS: EITHER 0.76 μ m [.000030] MIN GOLD PLATE FOR A LENGTH OF 0.64 [.025] MAX, 0.13 [.005] MIN FROM MATING END OR GOLD FLASH OVER PALLADIUM NICKEL PLATE, 0.76 μ m [.000030] MIN TOTAL FOR A LENGTH OF 0.64 [.025] MAX, 0.13 [.005] MIN FROM MATING END. 3.81 μ m [.000150] MIN TIN-LEAD ON OPPOSITE END FOR A LENGTH OF 2.72 [.107] MIN, BOTH OVER 1.27 μ m [.000050] MIN NICKEL.
 SHELL: 5.08 μ m [.000200] MIN NICKEL OVER 1.27 μ m [.000050] MIN COPPER.
 BRACKET: 2.54 μ m [.000100] MIN NICKEL OVER 5.08 μ m [.000200] MIN COPPER.
 BOARDLOCKS: 5.08 μ m [.000200] MIN TIN-LEAD OVER 1.27 μ m [.000050] MIN NICKEL.

26	1364491-1
NO. OF POSITIONS	PART NUMBER

THIS DRAWING IS A CONTROLLED DOCUMENT.		DWN A.HOLT 25MAY00	Tyco Electronics Corporation Harrisburg, PA 17105-3608		
DIMENSIONS: mm [INCHES]		CHK C.FULP 24MAY00	NAME Tyco Electronics		
TOLERANCES UNLESS OTHERWISE SPECIFIED:		APPD C.FULP 24MAY00	PRODUCT SPEC 108-1228		
0 PLC	\pm -	APPLICATION SPEC	114-40029		
1 PLC	\pm -	SIZE	A1		
2 PLC	\pm 0.13 [.005]	CAGE CODE	DRAWING NO 00779		
3 PLC	\pm -	RESTRICTED TO	C=1364491		
4 PLC	\pm -	SCALE	4:1		
ANGLES	\pm -	SHEET	1 OF 1		
FINISH	\pm -	REV	C		
MATERIAL		CUSTOMER DRAWING			